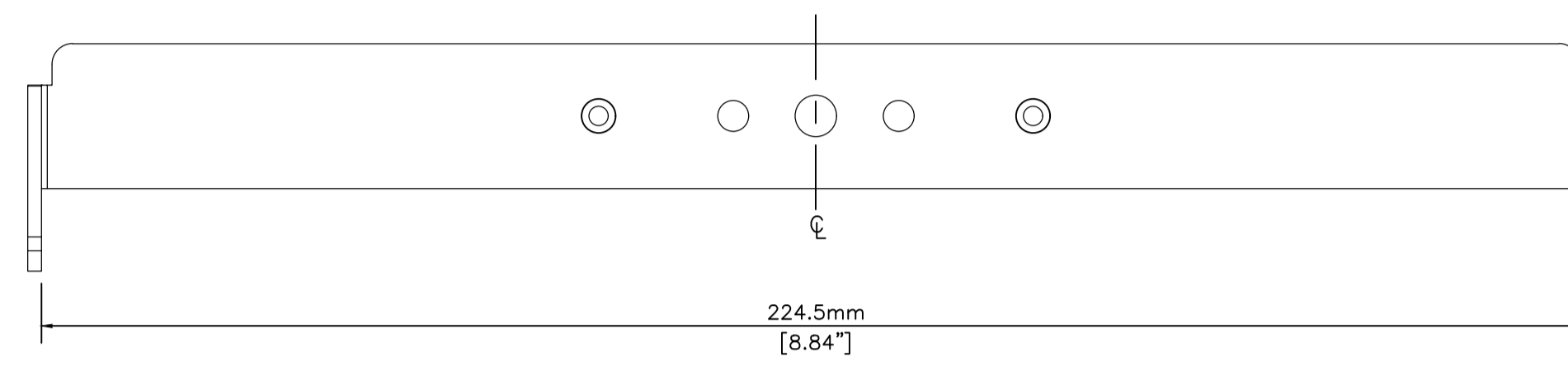
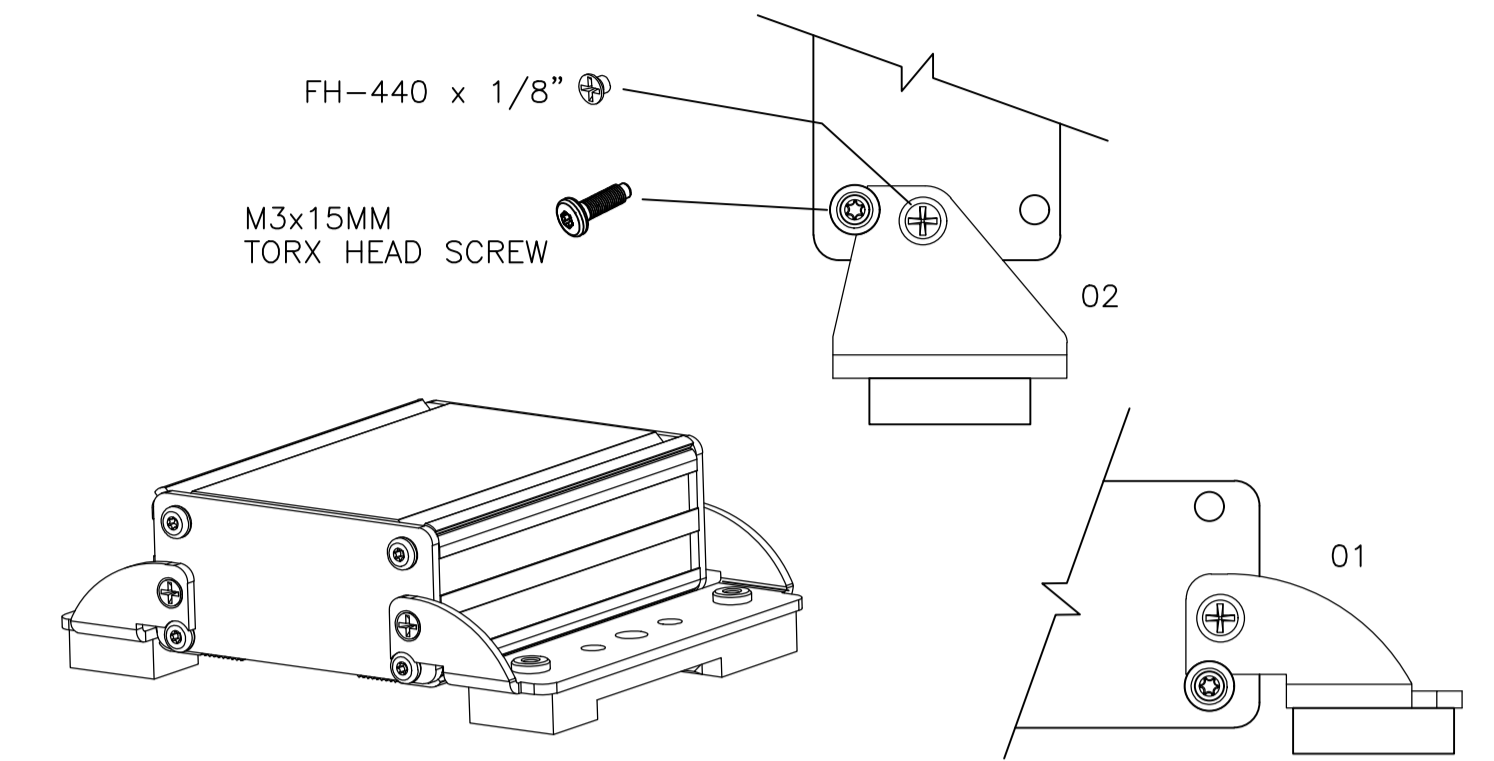


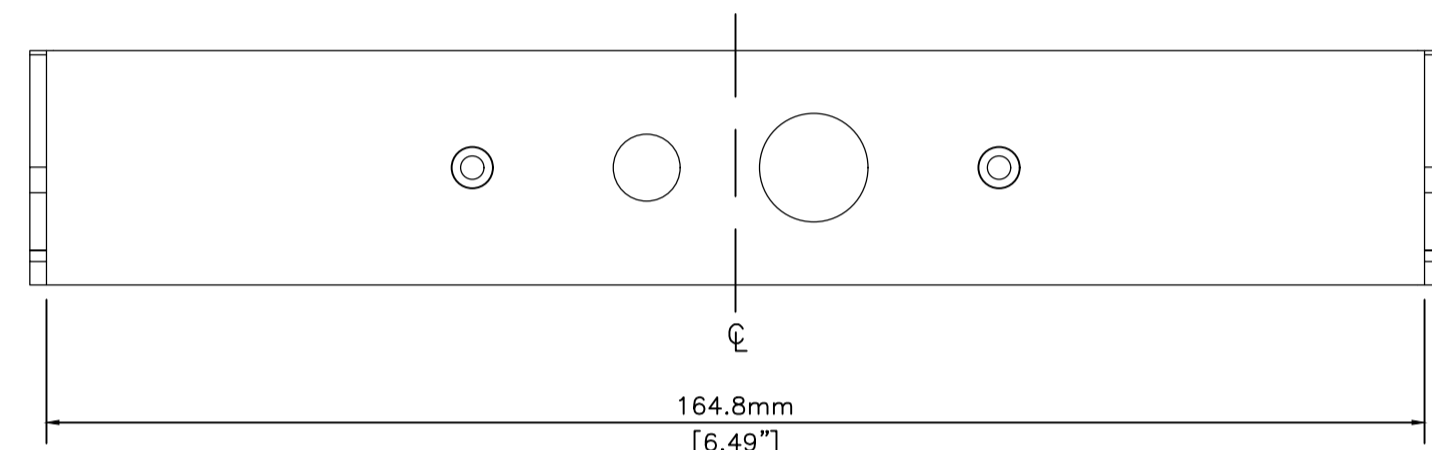
BIN DIN 220-02 TOP VIEW



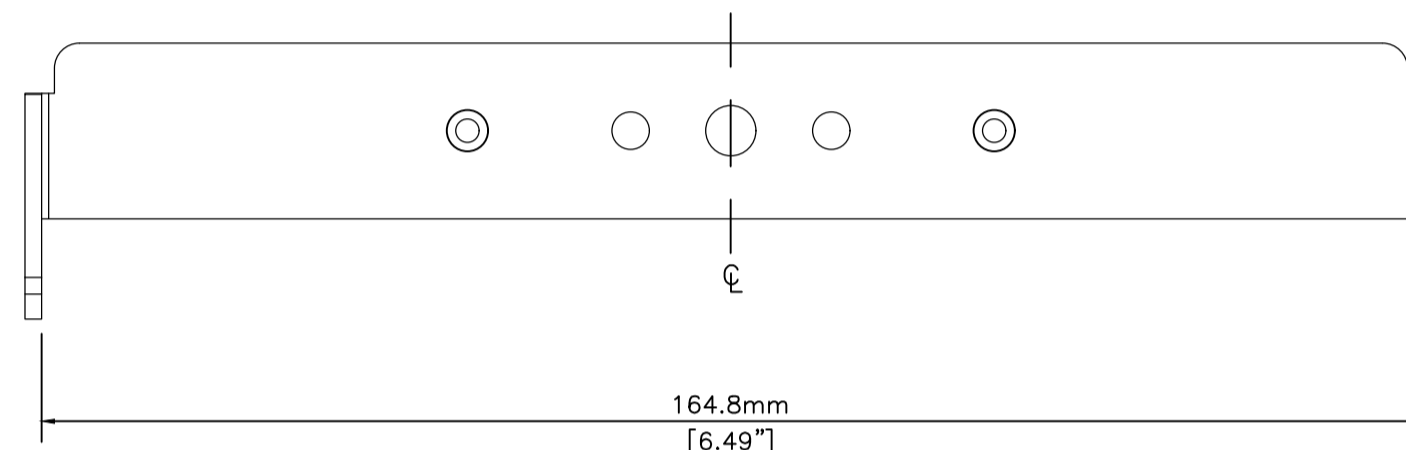
BIN DIN 220-01 TOP VIEW



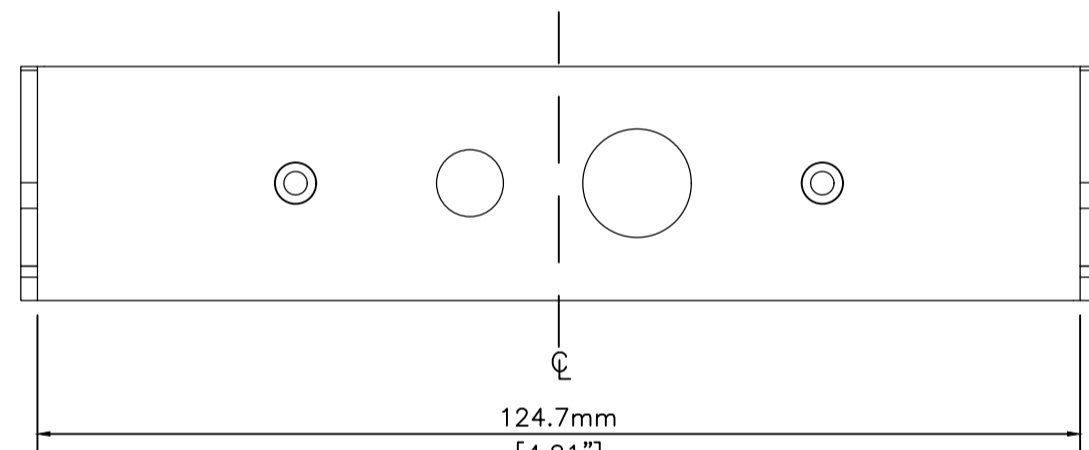
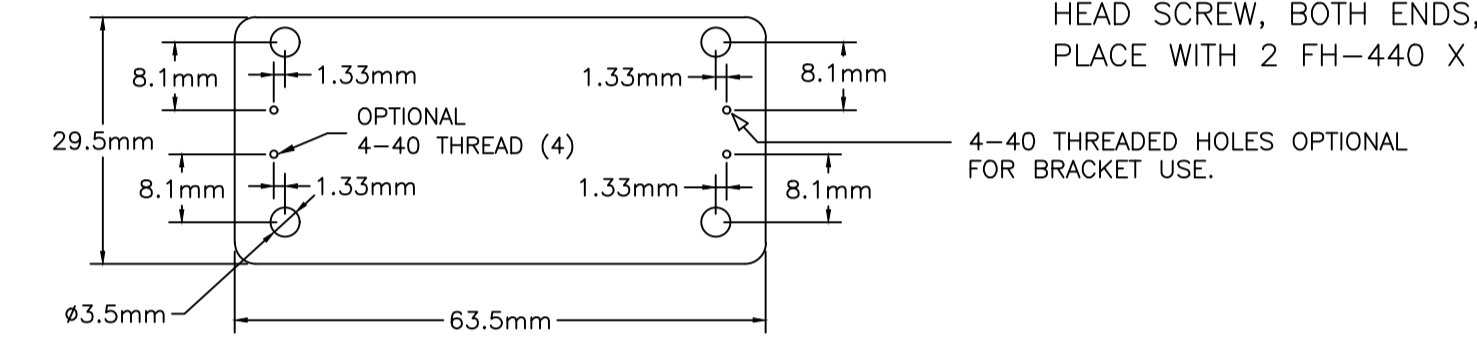
NOTE:
BRACKET RESTS AGAINST M3 TORX HEAD SCREW, BOTH ENDS, HELD IN PLACE WITH 2 FH-440 X 1/8\"/>



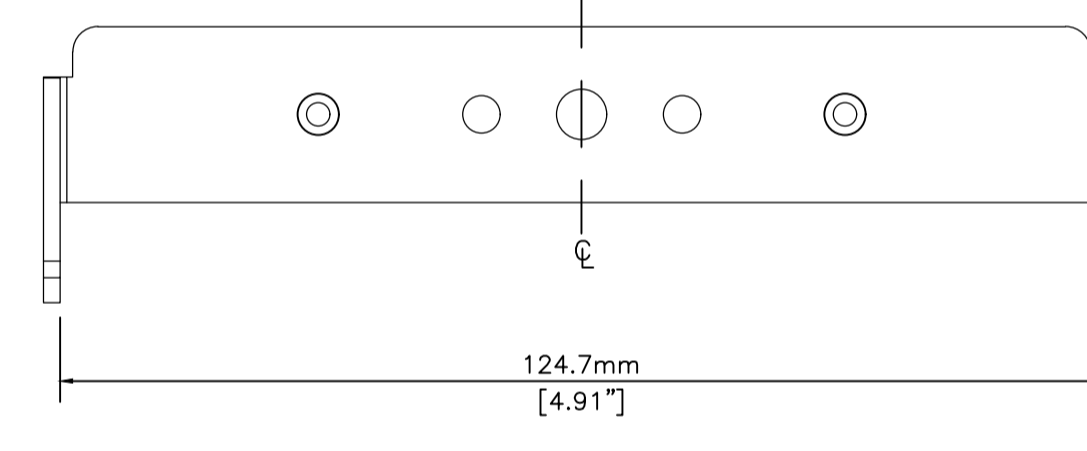
BIN DIN 160-02 TOP VIEW



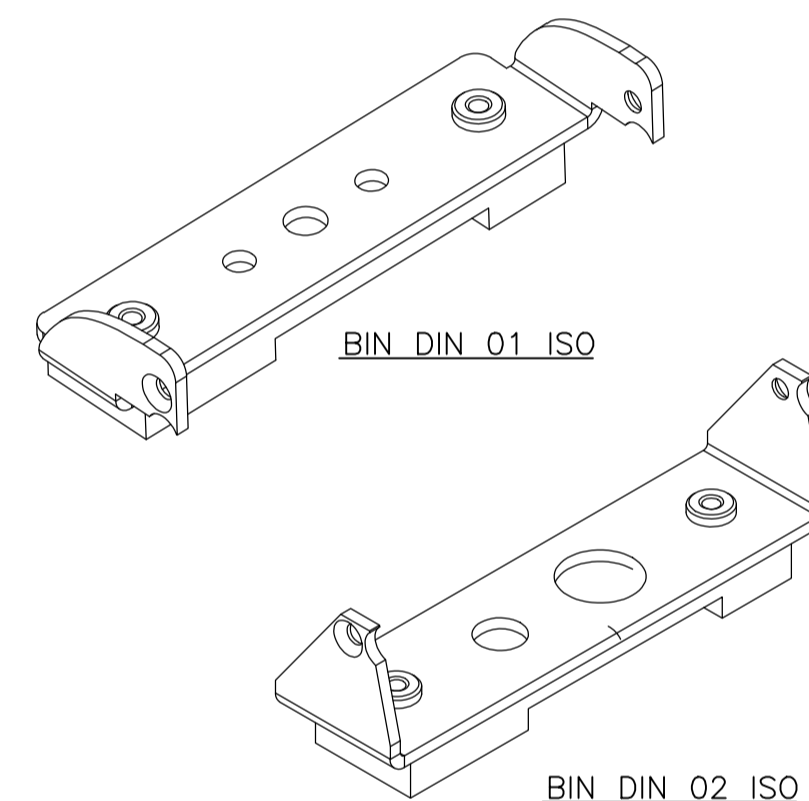
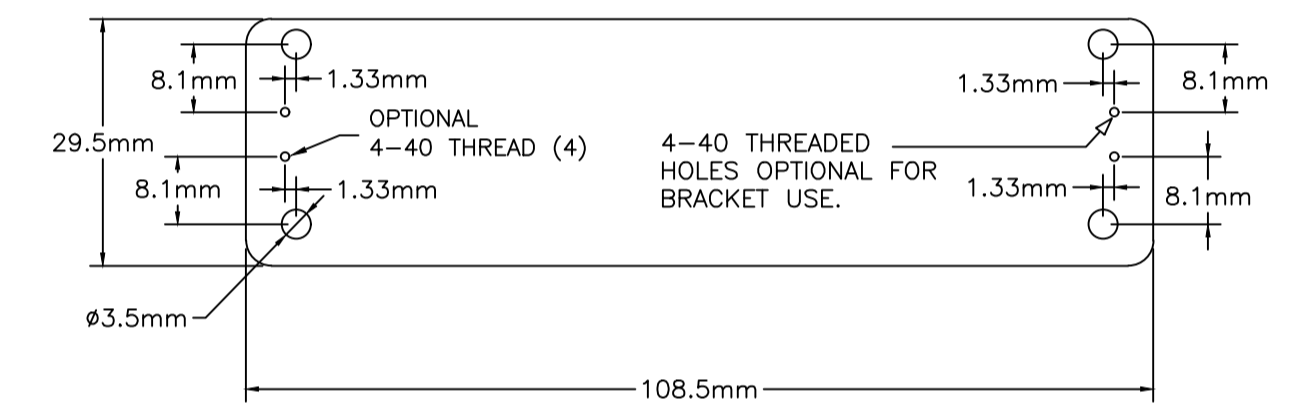
BIN DIN 160-01 TOP VIEW



BIN DIN 120-02 TOP VIEW

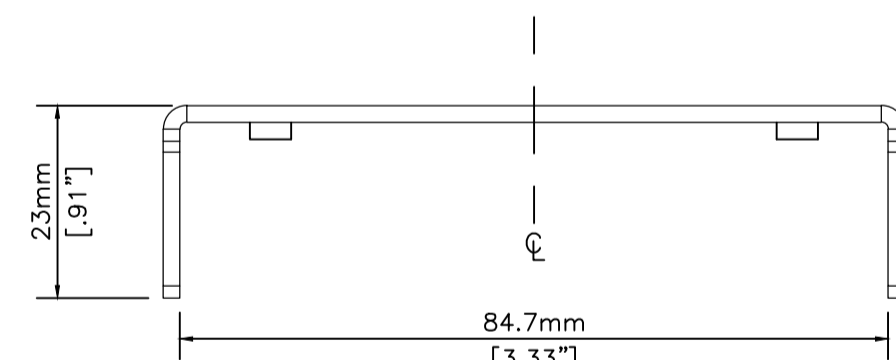
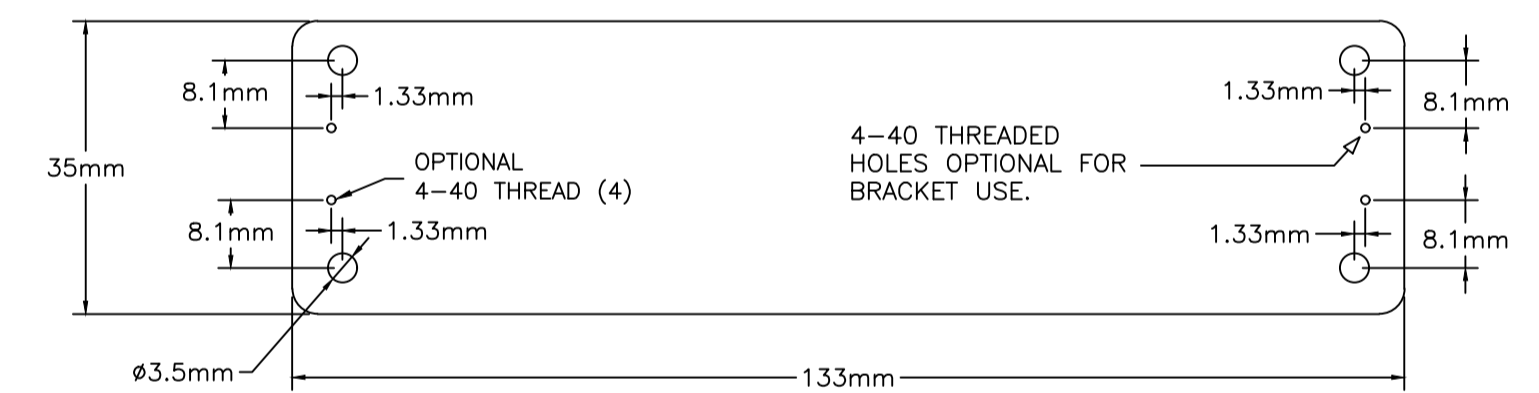


BIN DIN 120-01 TOP VIEW

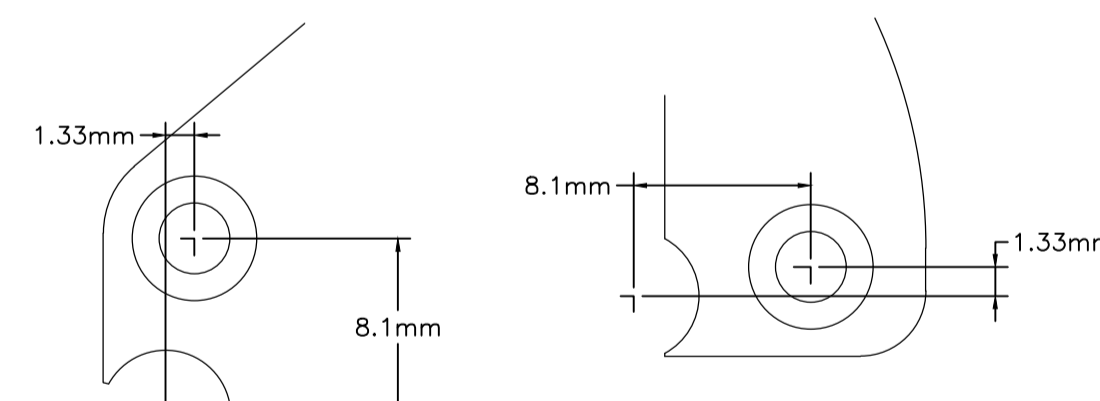


BIN DIN 01 ISO

BIN DIN 02 ISO

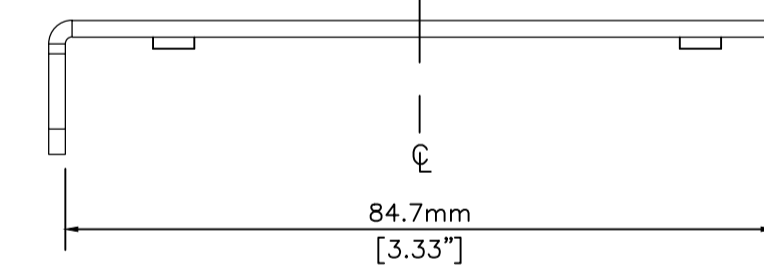


BIN DIN 080-02 FRONT VIEW

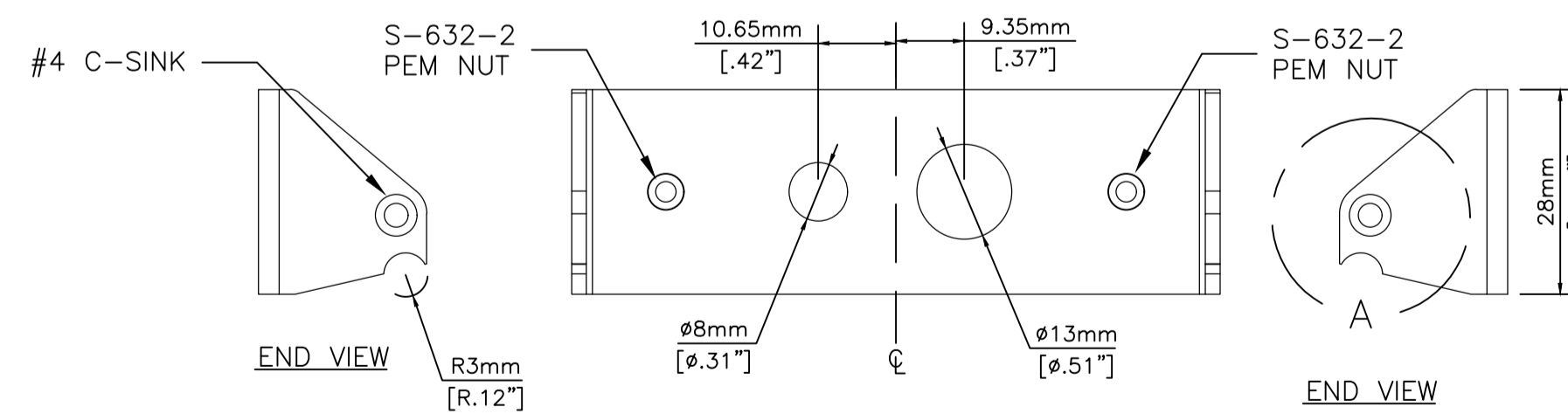
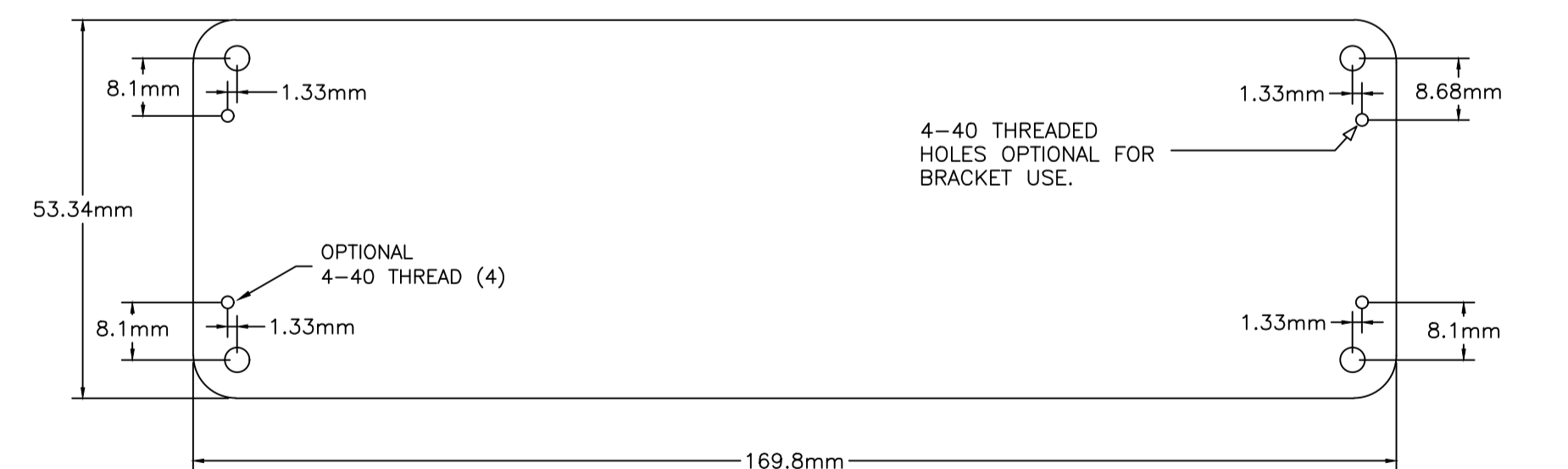


DETAIL B

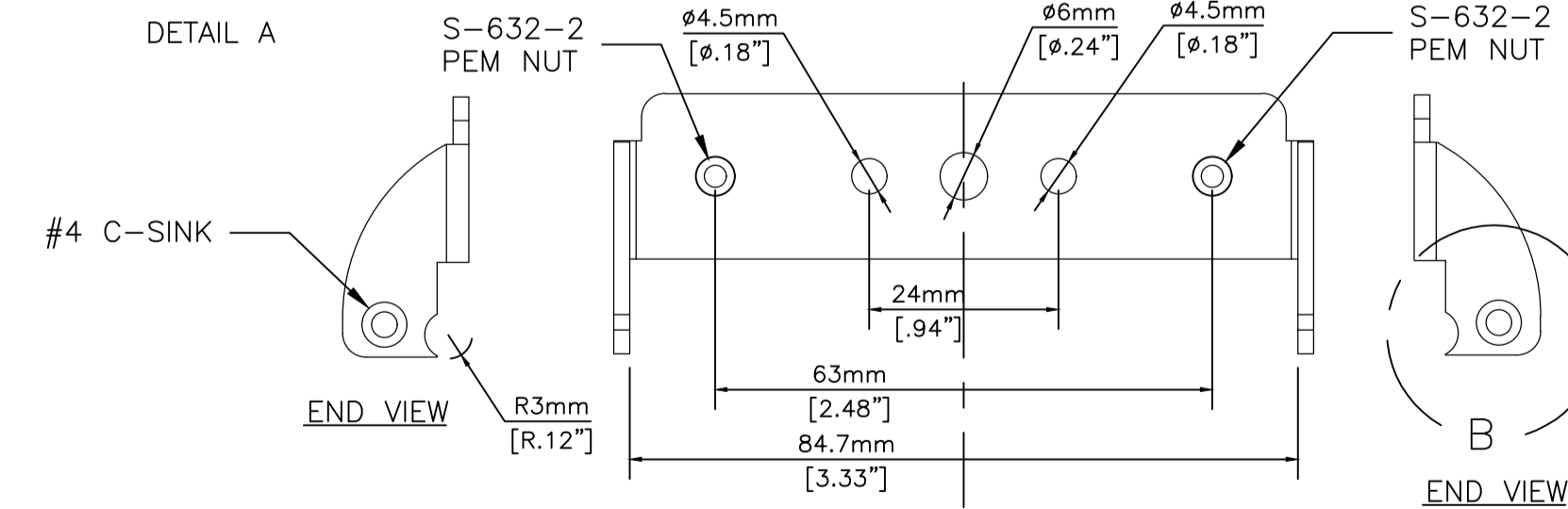
DETAIL A



BIN DIN 080-01 FRONT VIEW



BIN DIN 080-02 TOP VIEW



BIN DIN 080-01 TOP VIEW

NOTE:
HOLE SIZES ARE TYPICAL
IN ALL VERSIONS.

Title Eng. Drawing A1 size Master

DATE 12/5/23	BOX # BIN DIN Brackets	Drn. by R.F.K.
SCALE 1:1	SHEET 1 of 1	REV 19.A