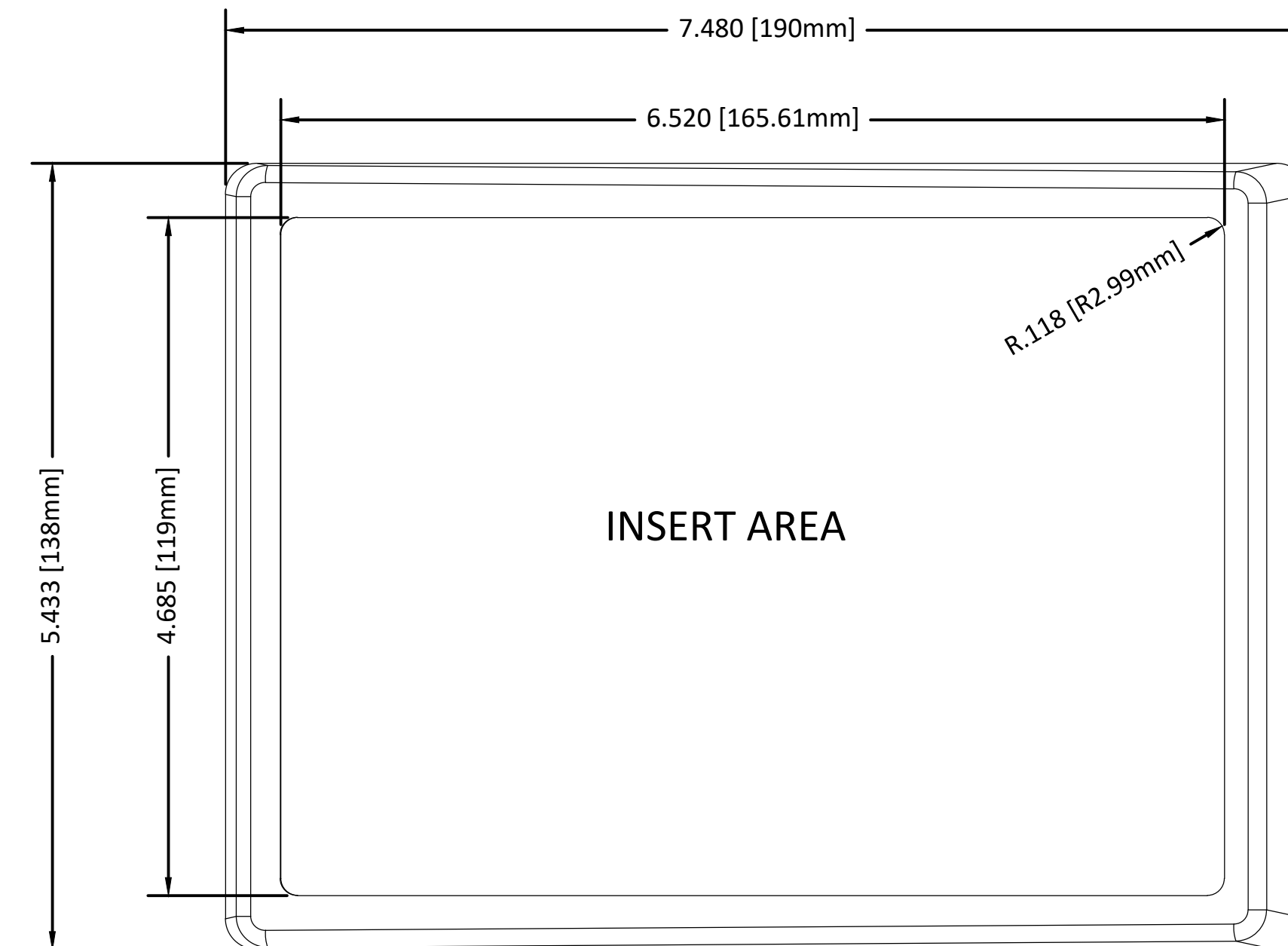
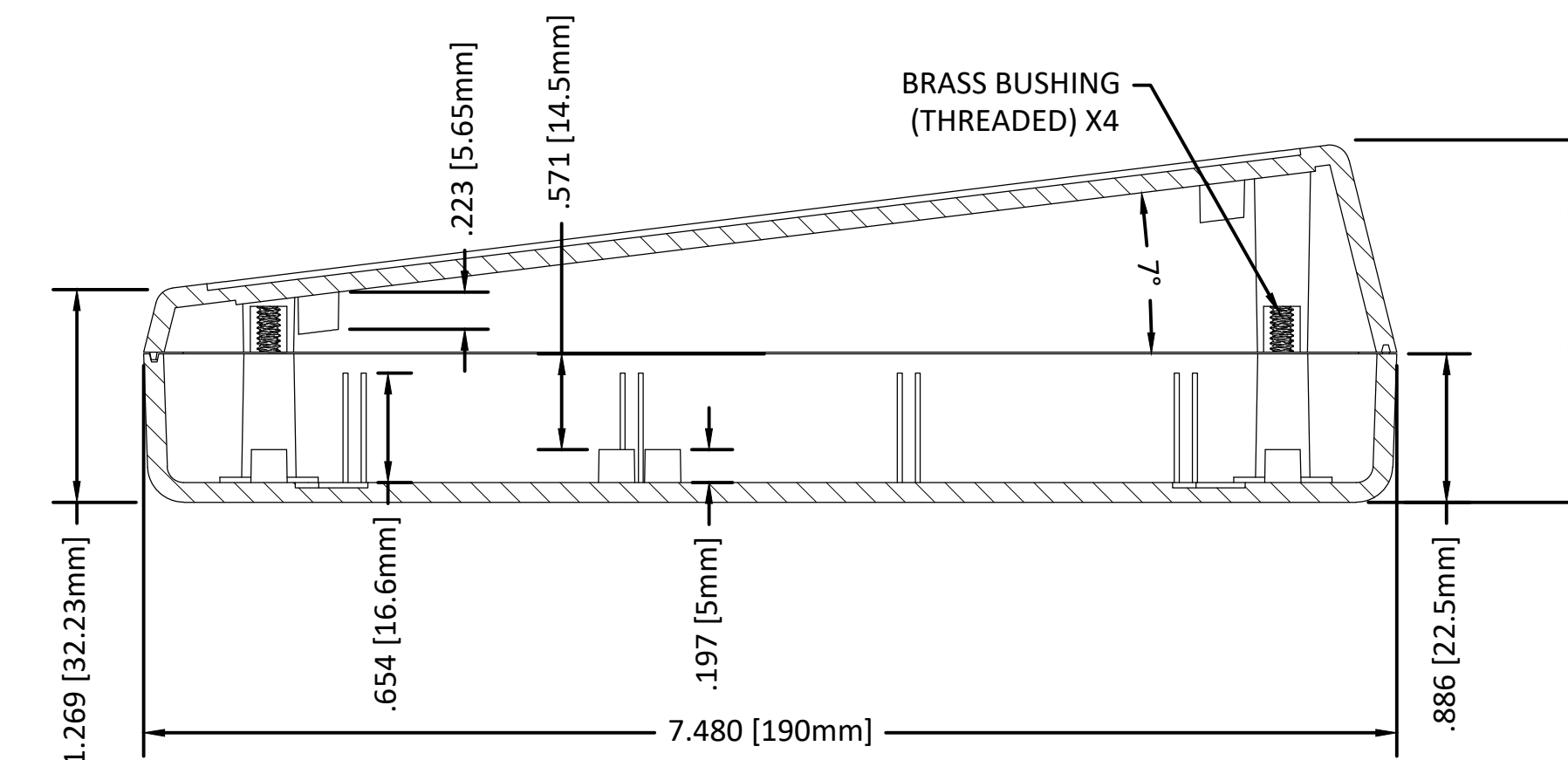


BOTTOM-OUTSIDE

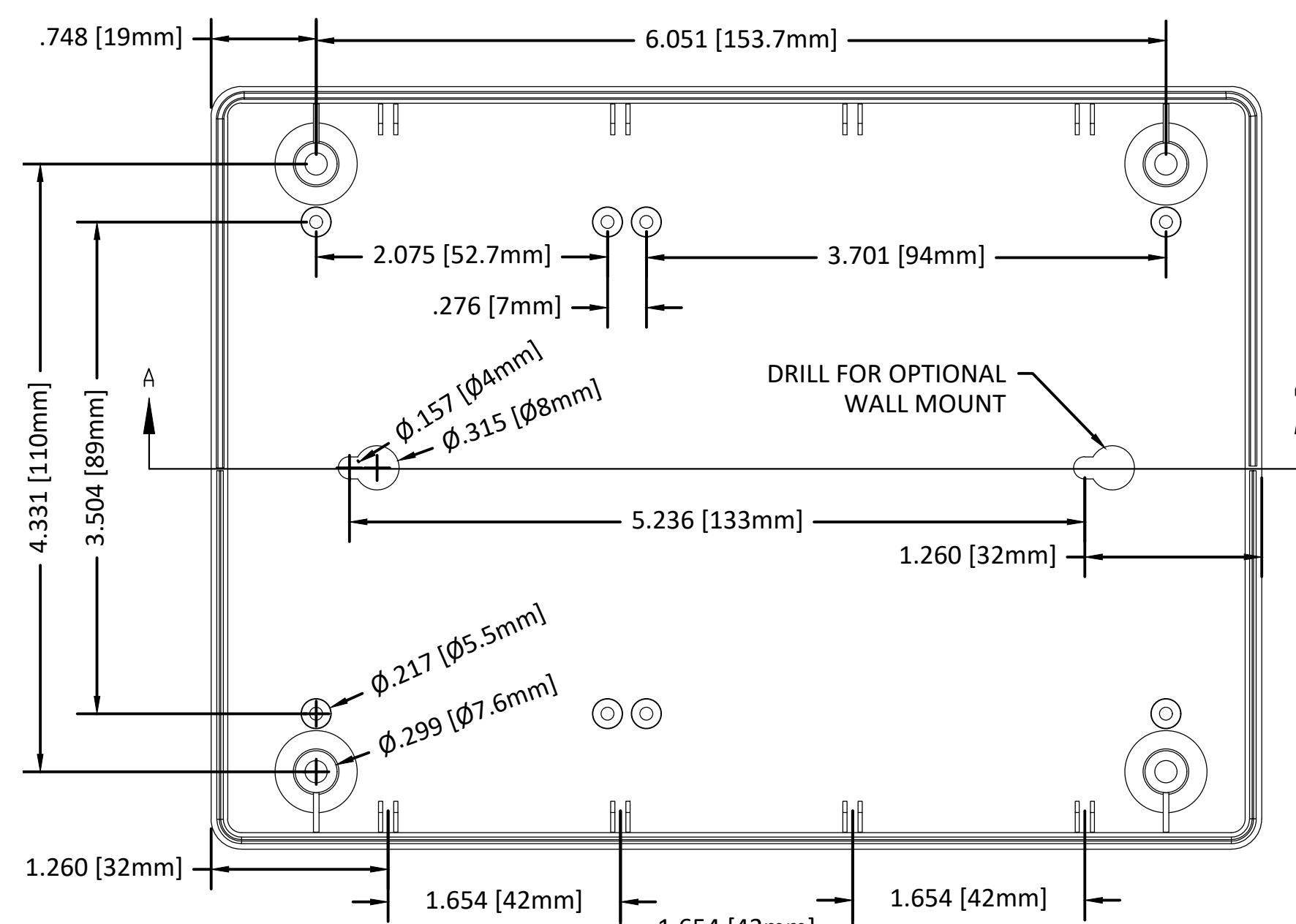


TOP-OUTSIDE

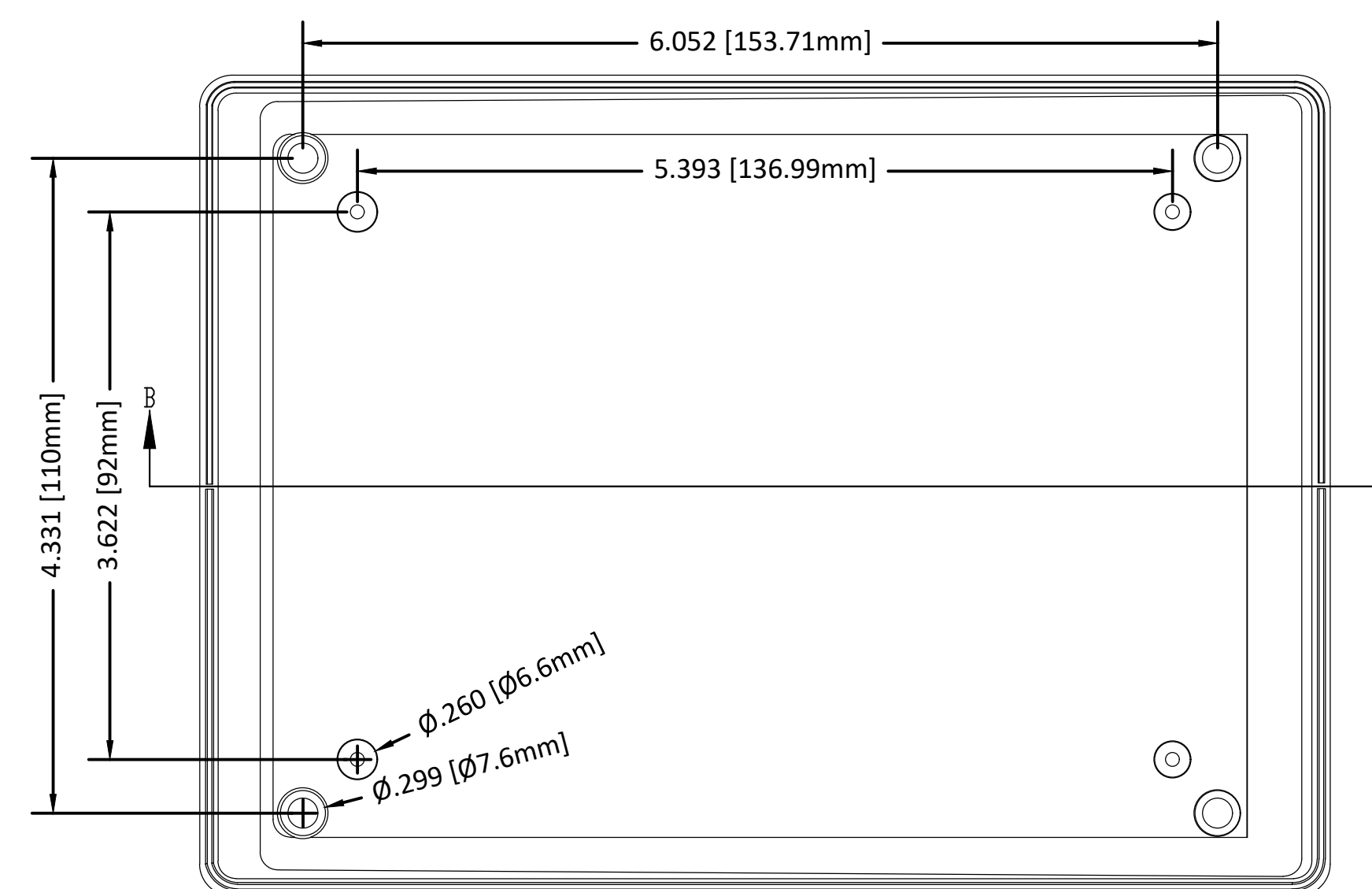


SESL-007 SHALLOW BOTTOM

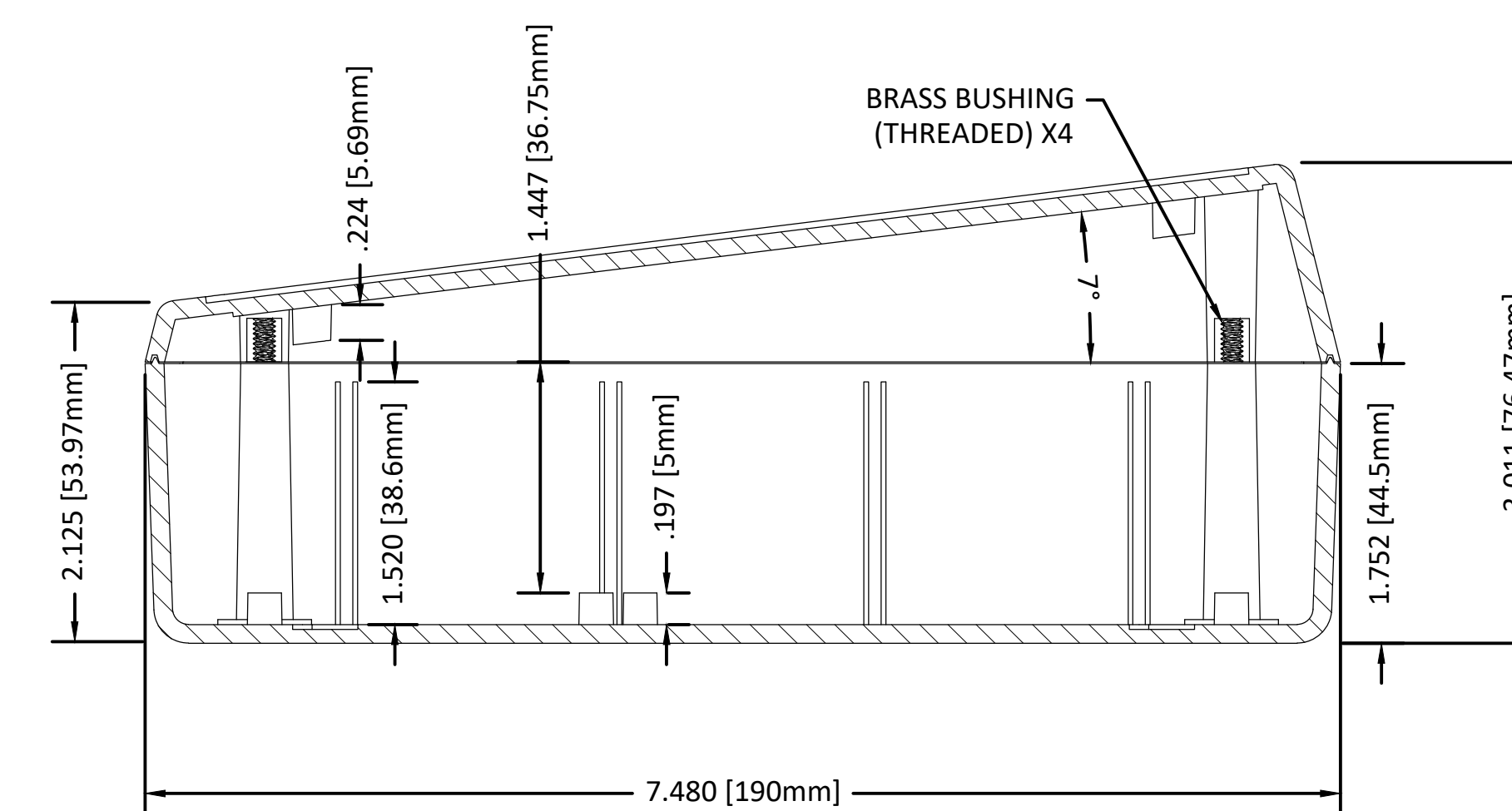
SECTION A-A



BOTTOM-INSIDE



TOP-INSIDE



SEDL-007 DEEP BOTTOM

SECTION B-B

MAXIMUM SIZE OF PCB: BOTTOM- 122mm x 183mm,
TOP- 125mm x 183mm.
(CUTOUT OF PILLARS NOT TAKEN INTO CONSIDERATION)

Title Eng. Drawing 24x36 size Master

DATE 12/15/23	BOX # SESL-SEDL Sloped Enclosure	Drn. by RUDY
SCALE 1:1	SHEET 1 of 1	REV 1