



ENCLOSURES & ASSEMBLY SERVICES

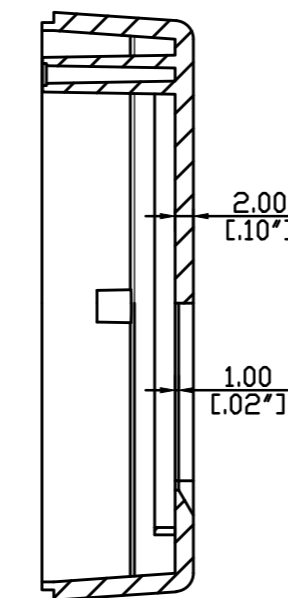
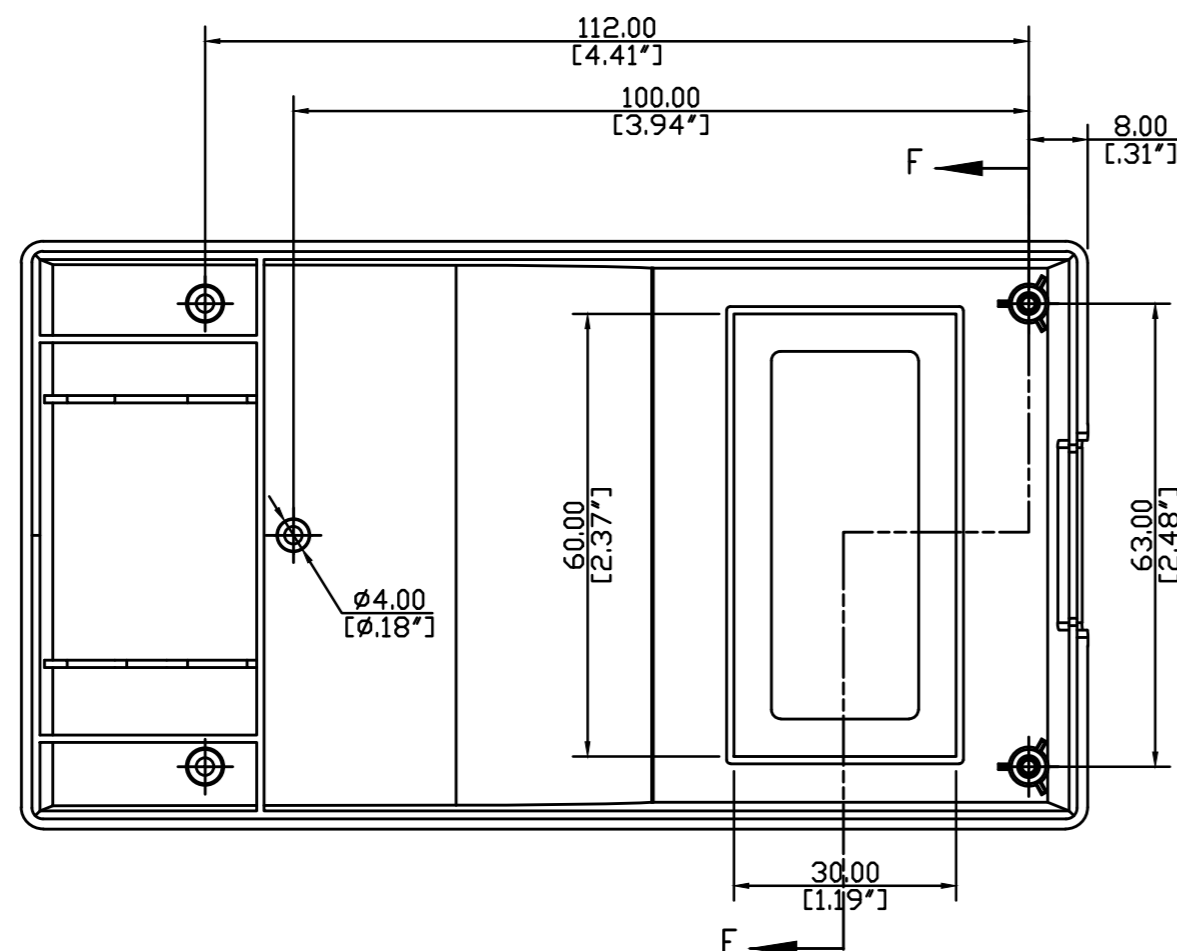
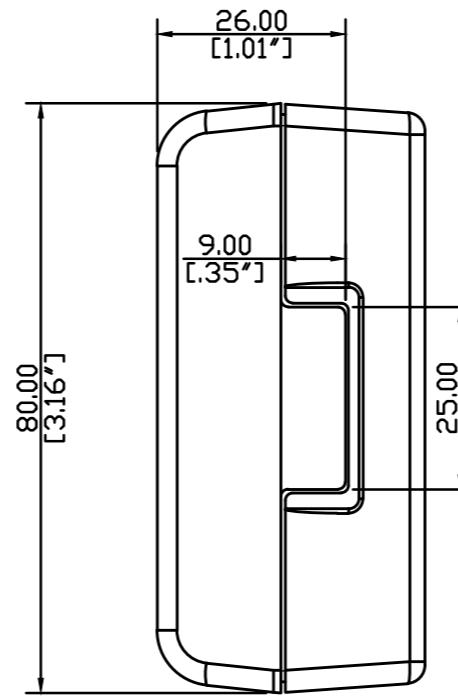
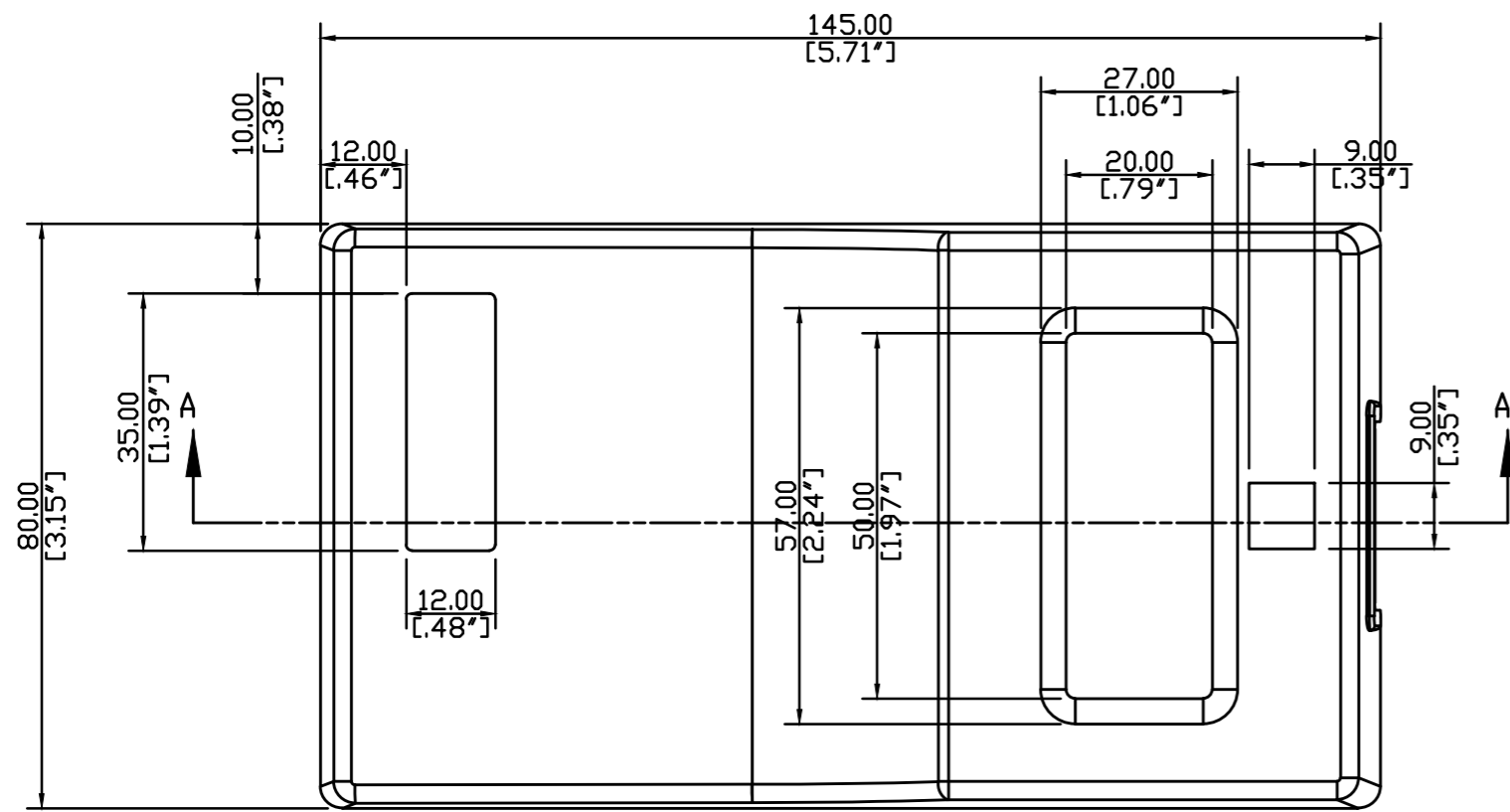
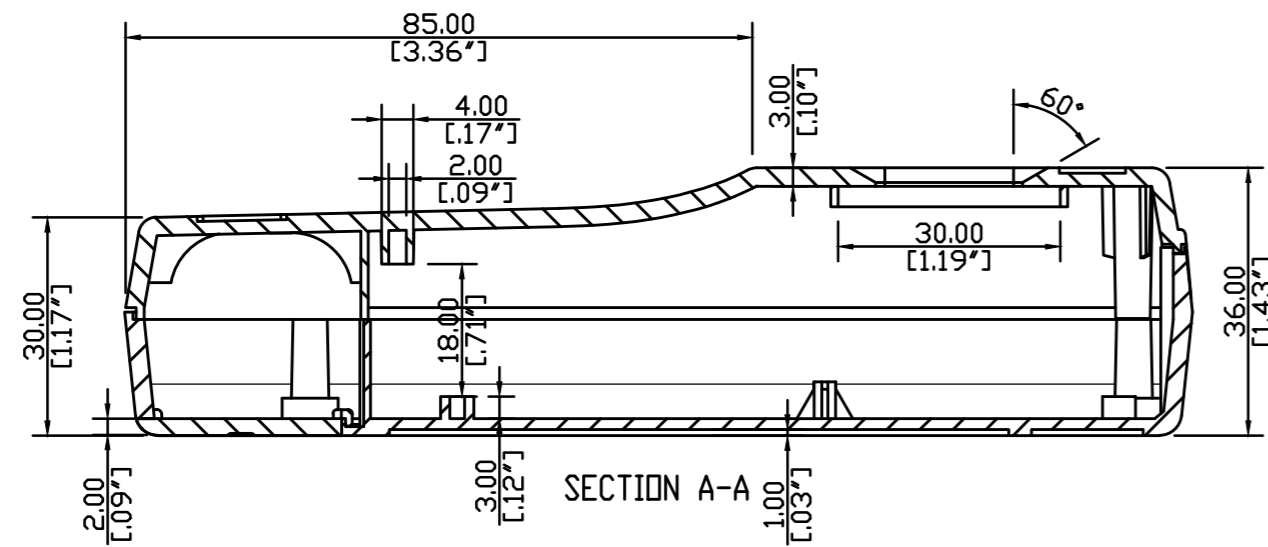
BOX ENCLOSURES, INC

28835 N. HERKY DRIVE, #114,
LAKE BLUFF, IL 60044

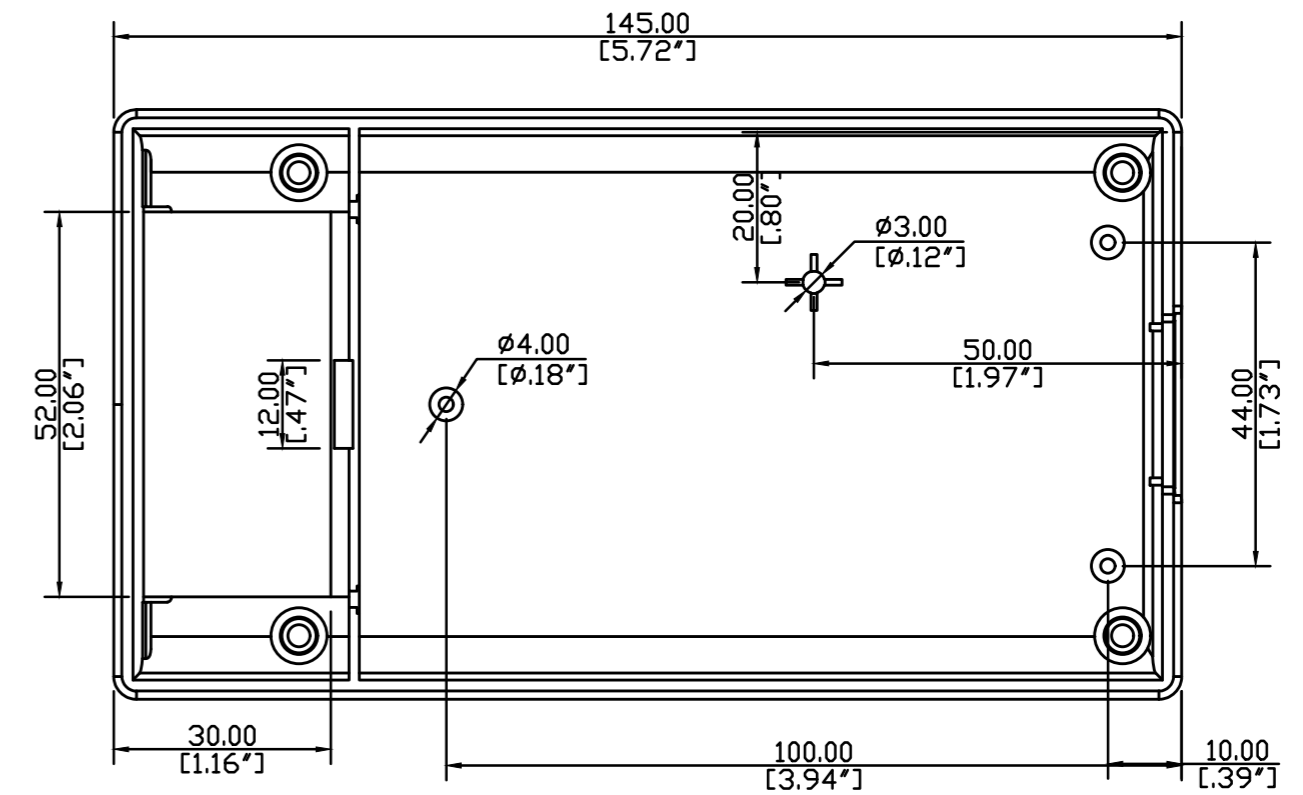
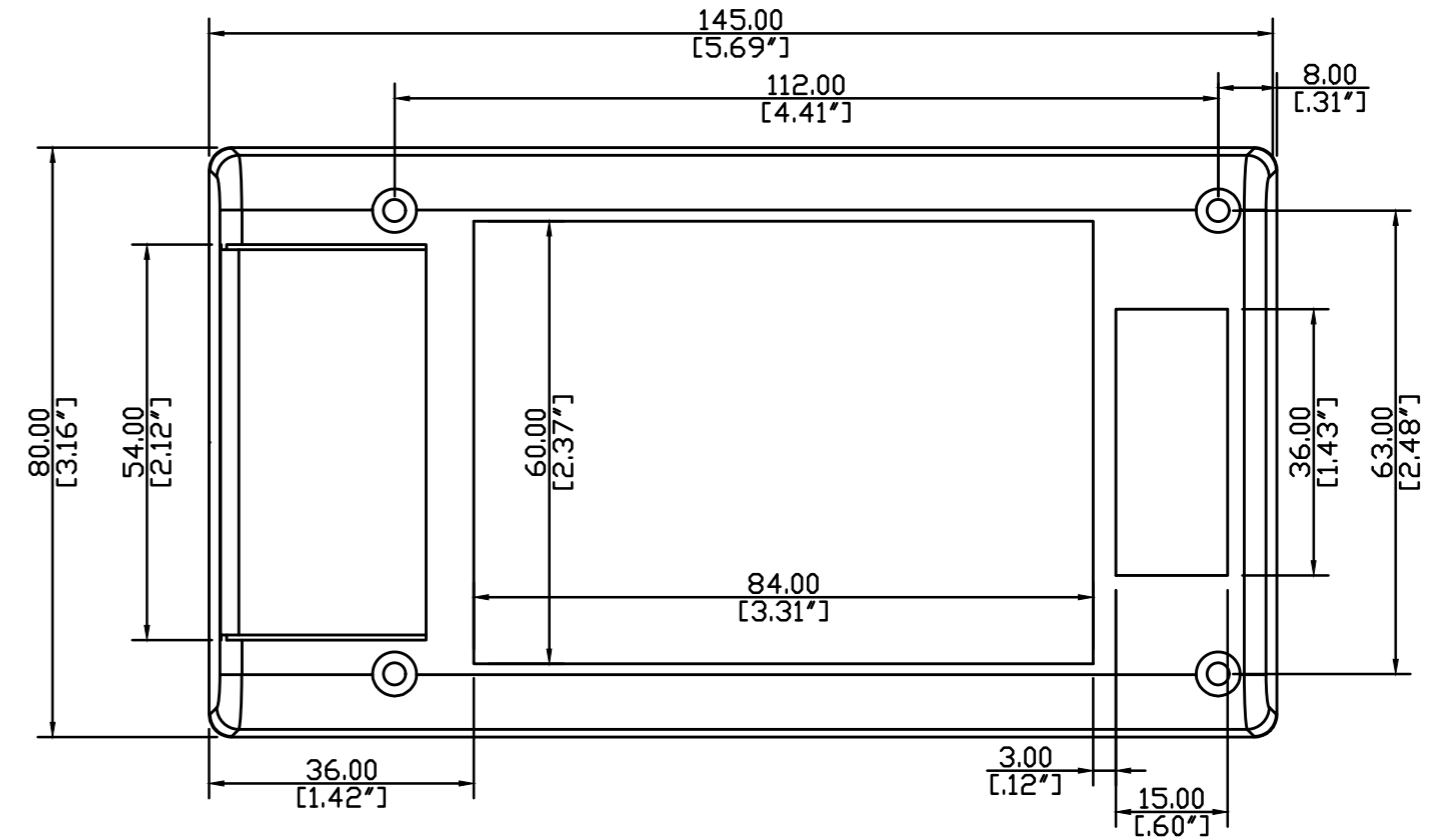
TEL: 847-932-4700

WWW.BOXENCLOSURES.COM

FAX: 847-932-4701



SECTION F-F



MAX. SIZE OF PCB

TOP: 72 X 106MM (CUTOUTS FOR PILLARS NOT TAKEN INTO
BOTTOM: 71 X 106MM CONSIDERATION.



Title SLCD MASTER		Revision:	
		Model:	
Material:		Dwg. No.:	Part No.:
Finish:		Color:	Drn. Date Rudy. Feb27, 2022
Proj.		Qty:	Chk. Date
TOLERANCE all dimension in mm unless otherwise specified x ±0.20 .x ±0.10 .xx ±0.05 ANGLE ±0.5°		A2 Sheet 1 of 1	App. Date

THIS DRAWING IS THE PROPERTY OF AND MAY EMBODY PROPRIETARY INFORMATION OWNED BY Box Enclosures. IT IS PROVIDED UNDER A CONFIDENTIAL RELATIONSHIP FOR A SPECIFIC PURPOSE. THE RECIPIENT AGREES TO USE IT ONLY FOR SUCH PURPOSE AND RETURN IT TO Box Enclosures UPON REQUEST.