



ENCLOSURES & ASSEMBLY SERVICES

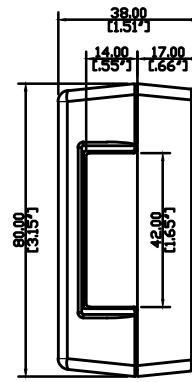
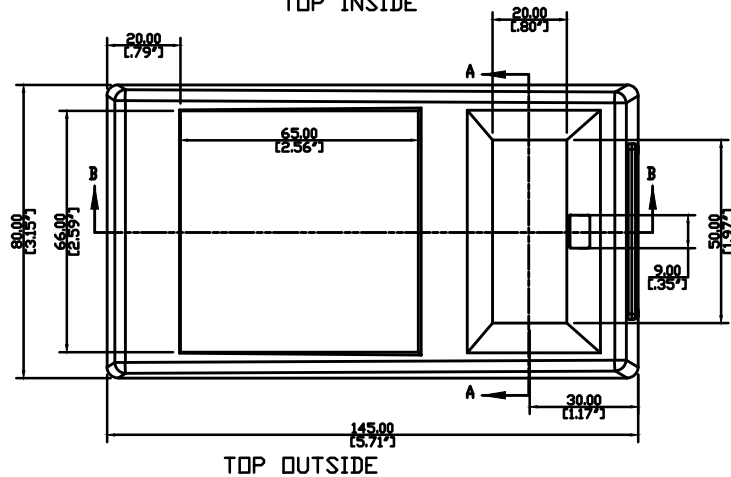
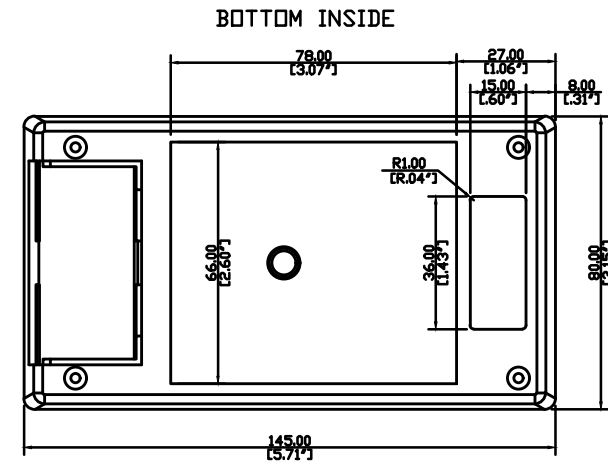
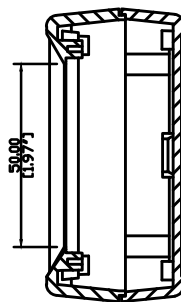
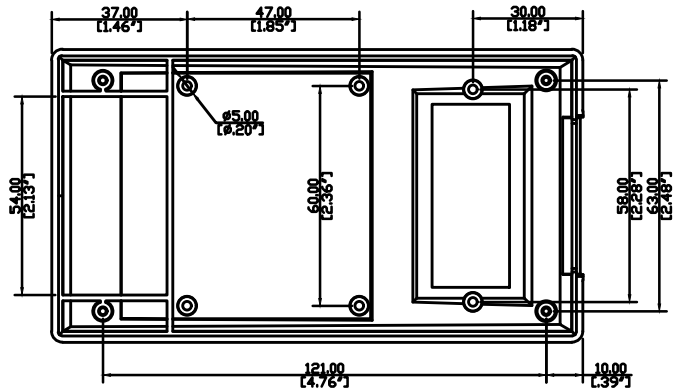
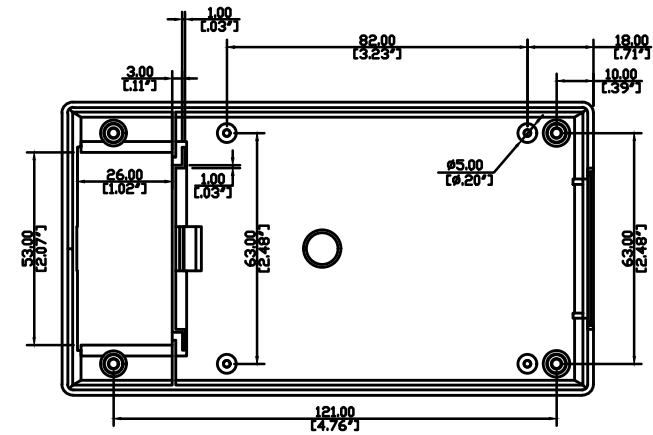
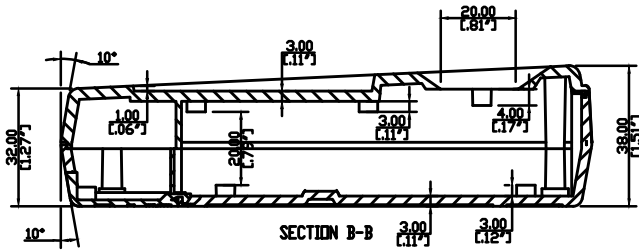
BOX ENCLOSURES, INC

28835 N. HERKY DRIVE, #114,
LAKE BLUFF, IL 60044

TEL: 847-932-4700

WWW.BOXENCLOSURES.COM

FAX: 847-932-4701



MAX. SIZE OF PCB
TOP: 72 X 106MM (CUTOUTS FOR PILLARS NOT TAKEN INTO
BOTTOM: 71 X 102MM CONSIDERATION.

<p>ENCLOSURES & ASSEMBLY SERVICES</p>		Revision:	
		Model:	
Title: MLCD MASTER		Dwg. No.:	Part No.:
Material:	TOLERANCE all dimension in mm unless otherwise specified x ±0.20 .x ±0.10 .xx ±0.05 ANGLE ±0.5°	Color:	Drn. Date Rudy, Mar.8, 2022
Finish:		Qty:	Chk. Date
Proj.		A2 Sheet of	App. Date

THIS DRAWING IS THE PROPERTY OF AND MAY EMBODY PROPRIETARY INFORMATION OWNED BY Box Enclosures . IT IS PROVIDED UNDER A CONFIDENTIAL RELATIONSHIP FOR A SPECIFIC PURPOSE. THE RECIPIENT AGREES TO USE IT ONLY FOR SUCH PURPOSE AND RETURN IT TO Box Enclosures UPON REQUEST.