



ENCLOSURES & ASSEMBLY SERVICES

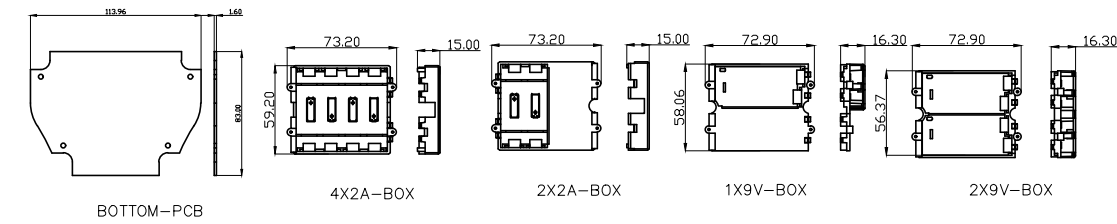
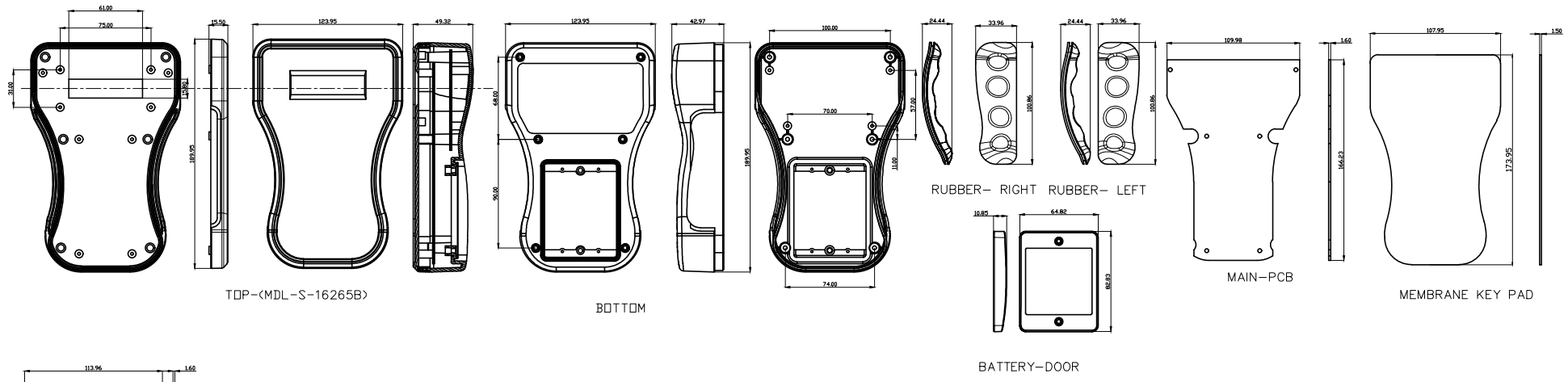
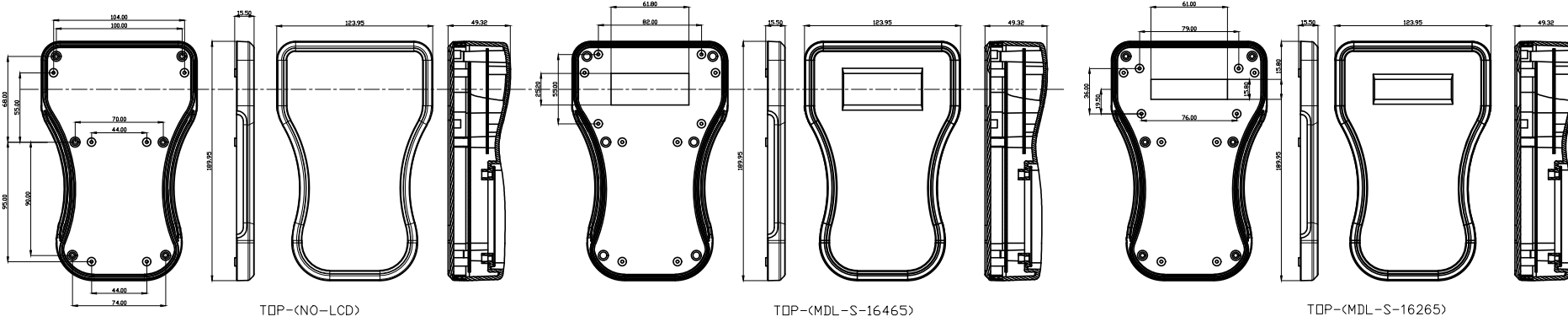
BOX ENCLOSURES, INC

14092 W. Lambs Lane  
Libertyville, IL 60048

TEL: 847-932-4700

WWW.BOXENCLOSURES.COM

FAX: 847-932-4701



<p>ENCLOSURES &amp; ASSEMBLY SERVICES</p>		Revision:	
		Model: T-CASE-S	
Title: GRIP-TECH T-Case S (small size)		Dwg. No.:	Part No.:
Material: Polycarbonate V2	<p>TOLERANCE all dimension in mm unless otherwise specified.</p> <p>x ±0.20 .x ±0.10 .xx ±0.05 ANGLE ±0.5°</p>	Color:	Drn. Date JF 2005-10-06
Finish:		Qty:	Chk. Date
Proj.		A4 Sheet 1 of 1	App. Date

THIS DRAWING IS THE PROPERTY OF AND MAY EMBODY PROPRIETARY INFORMATION OWNED BY Box Enclosures. IT IS PROVIDED UNDER A CONFIDENTIAL RELATIONSHIP FOR A SPECIFIC PURPOSE. THE RECIPIENT AGREES TO USE IT ONLY FOR SUCH PURPOSE AND RETURN IT TO Box Enclosure UPON REQUEST.