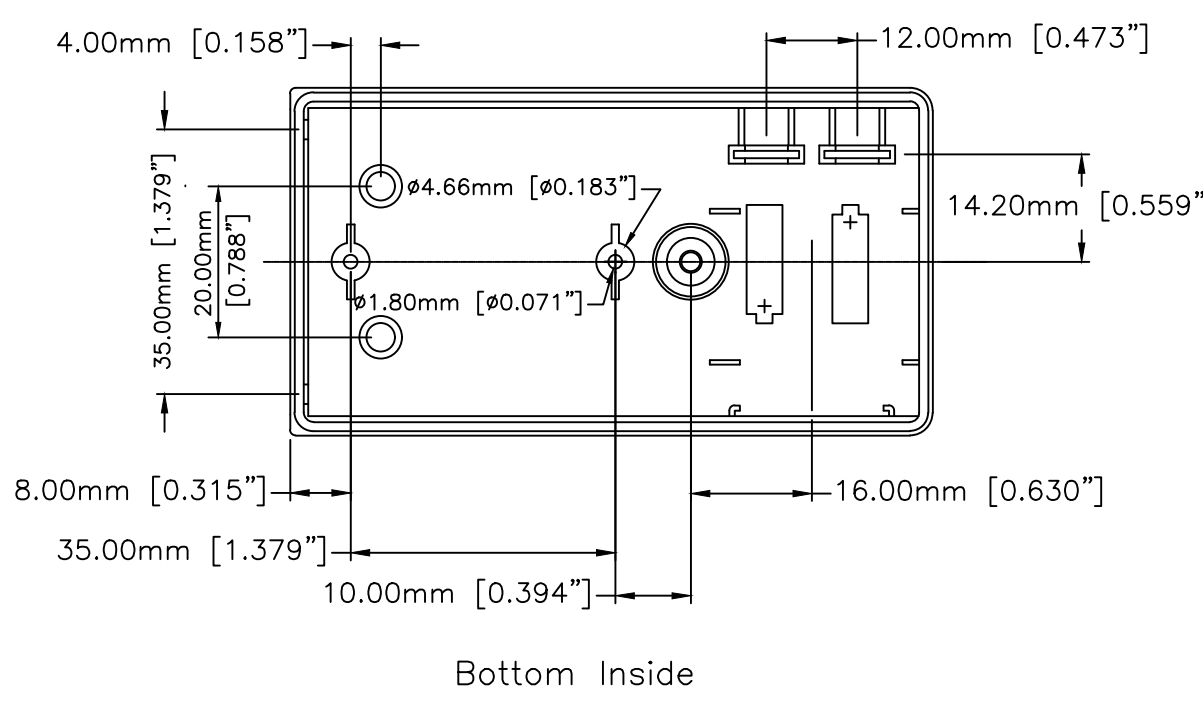
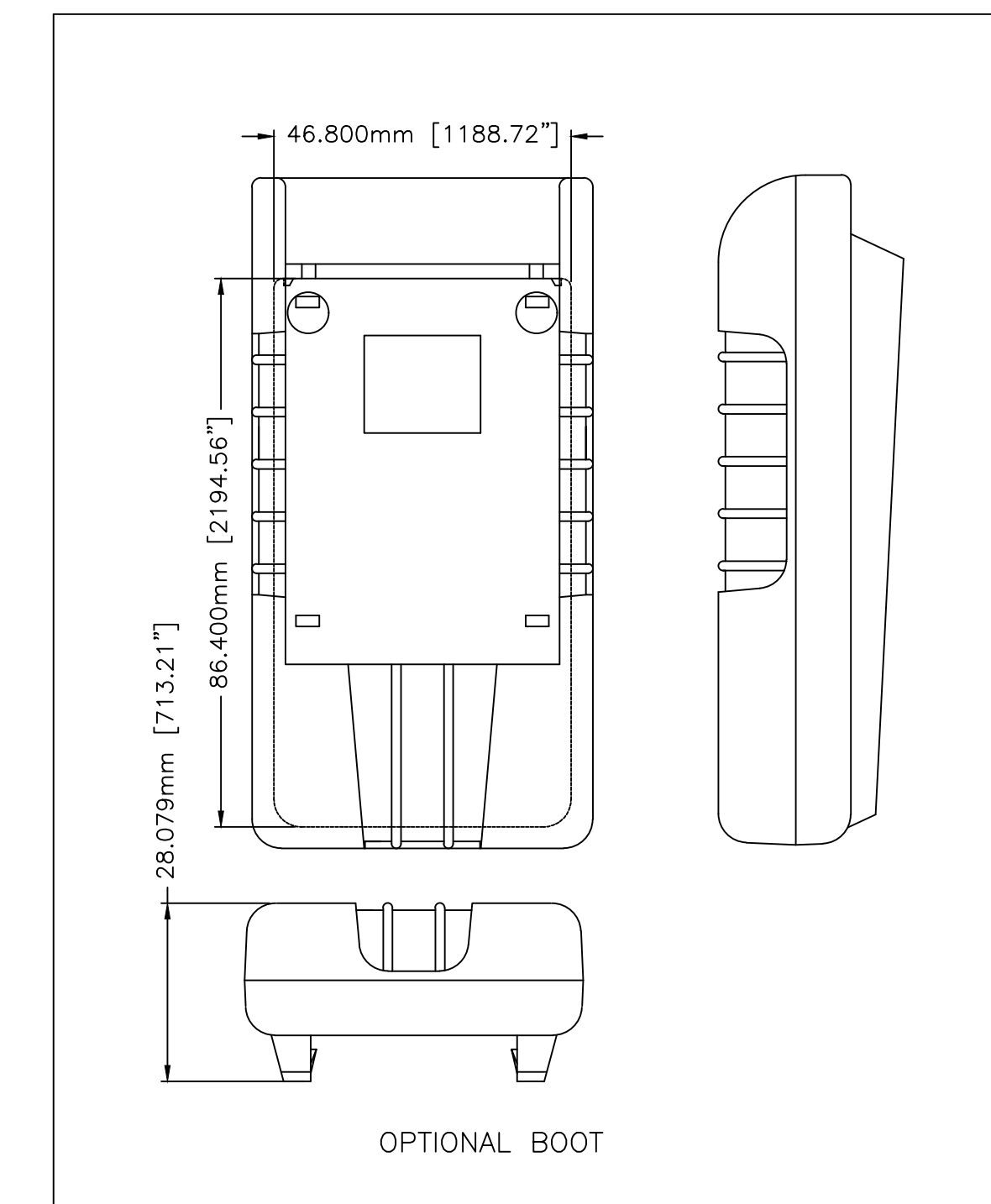
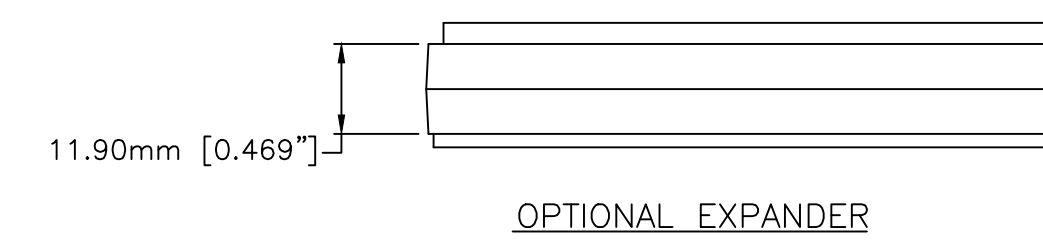


CASE WITH OPTIONAL EXPANDER  
 Note: able to stack two expanders for a total height of 38mm.



NOTE:  
 Maximum size of PCB: Bottom 39 X 44mm (cutout of pillars not taken into consideration)