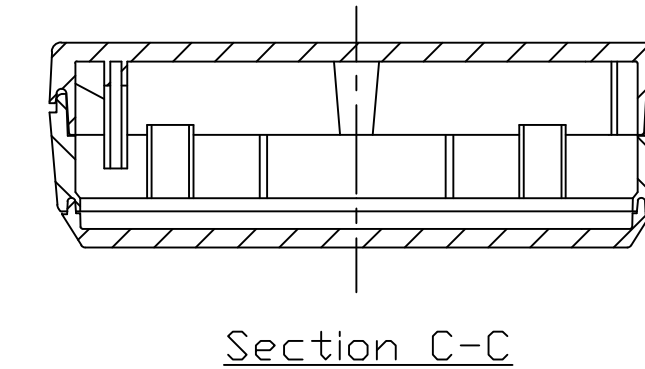
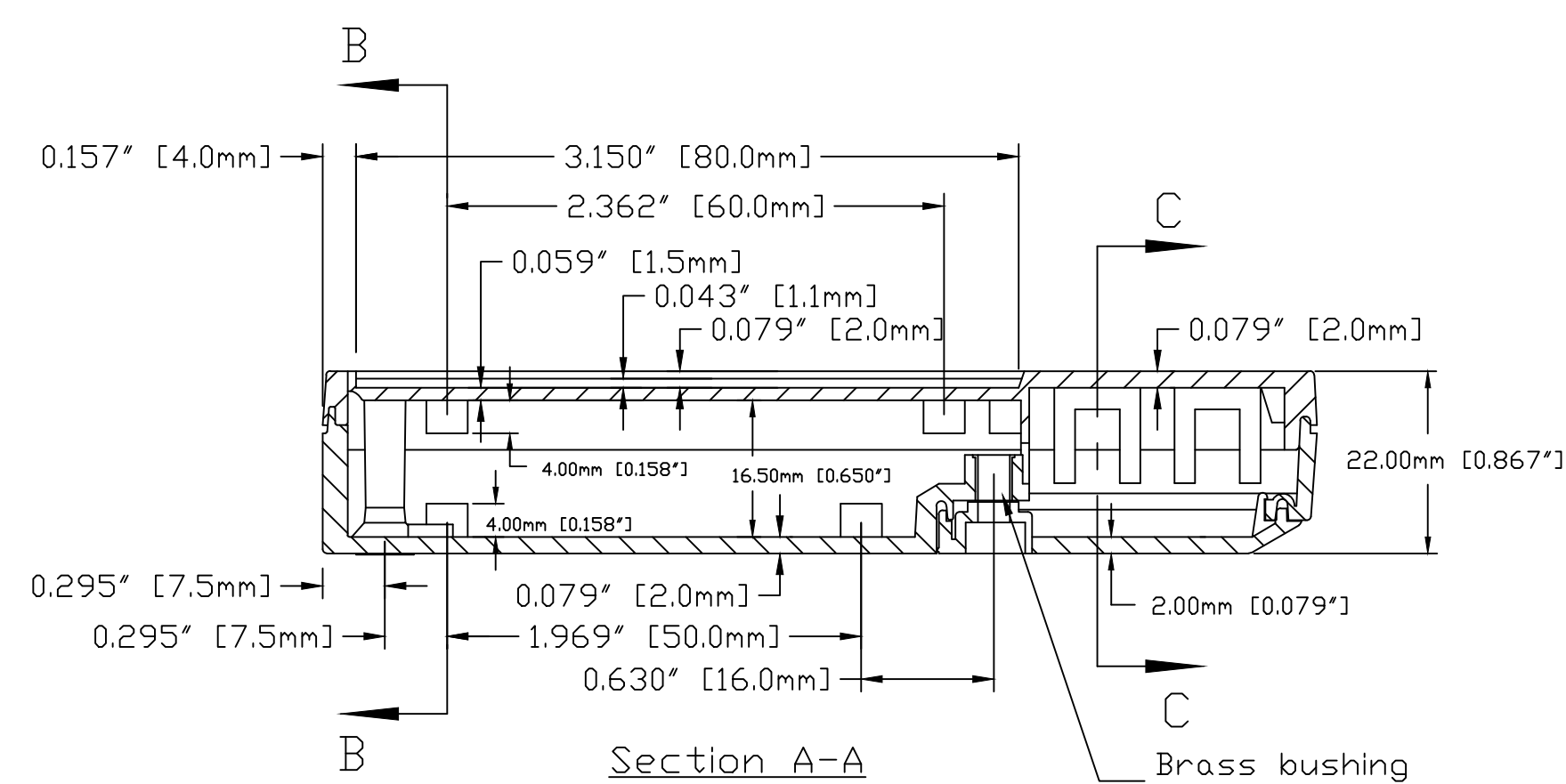
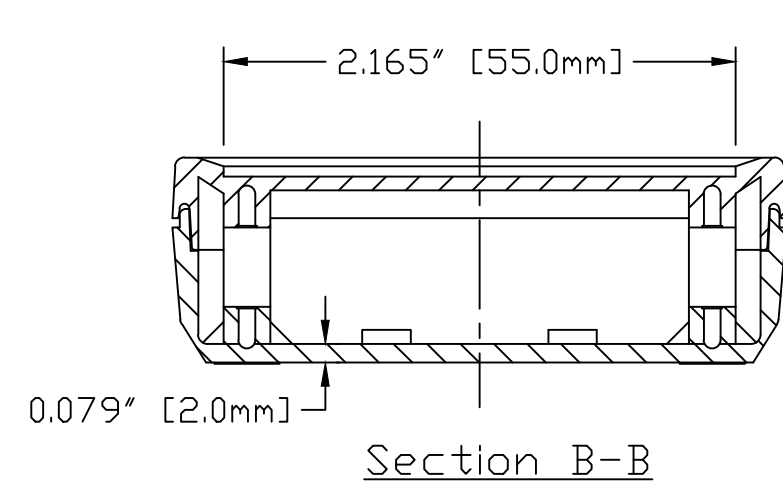
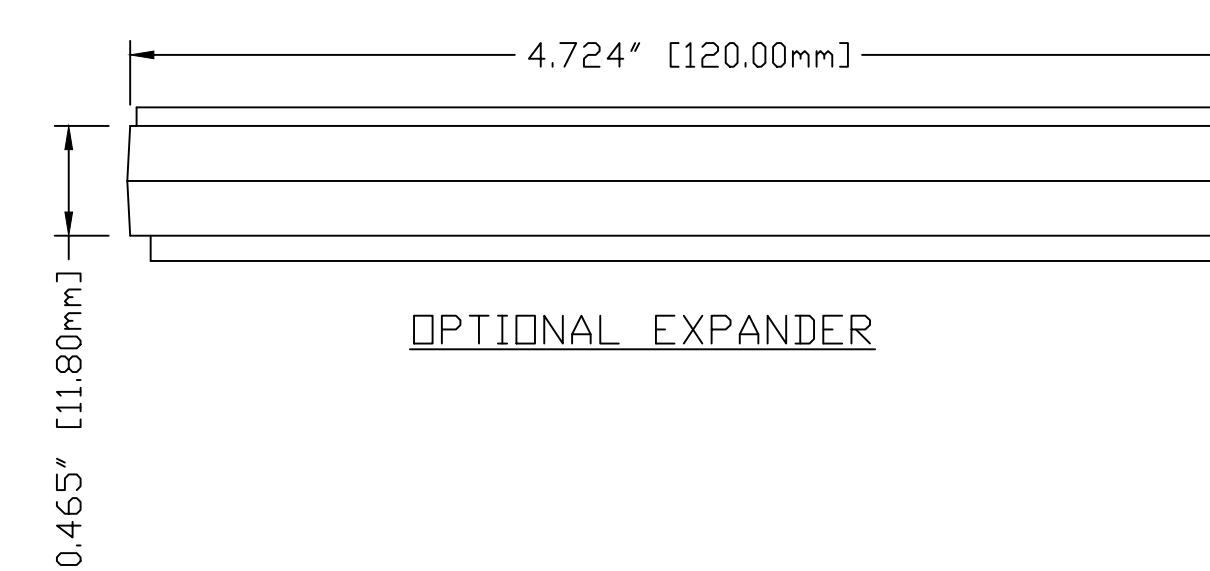
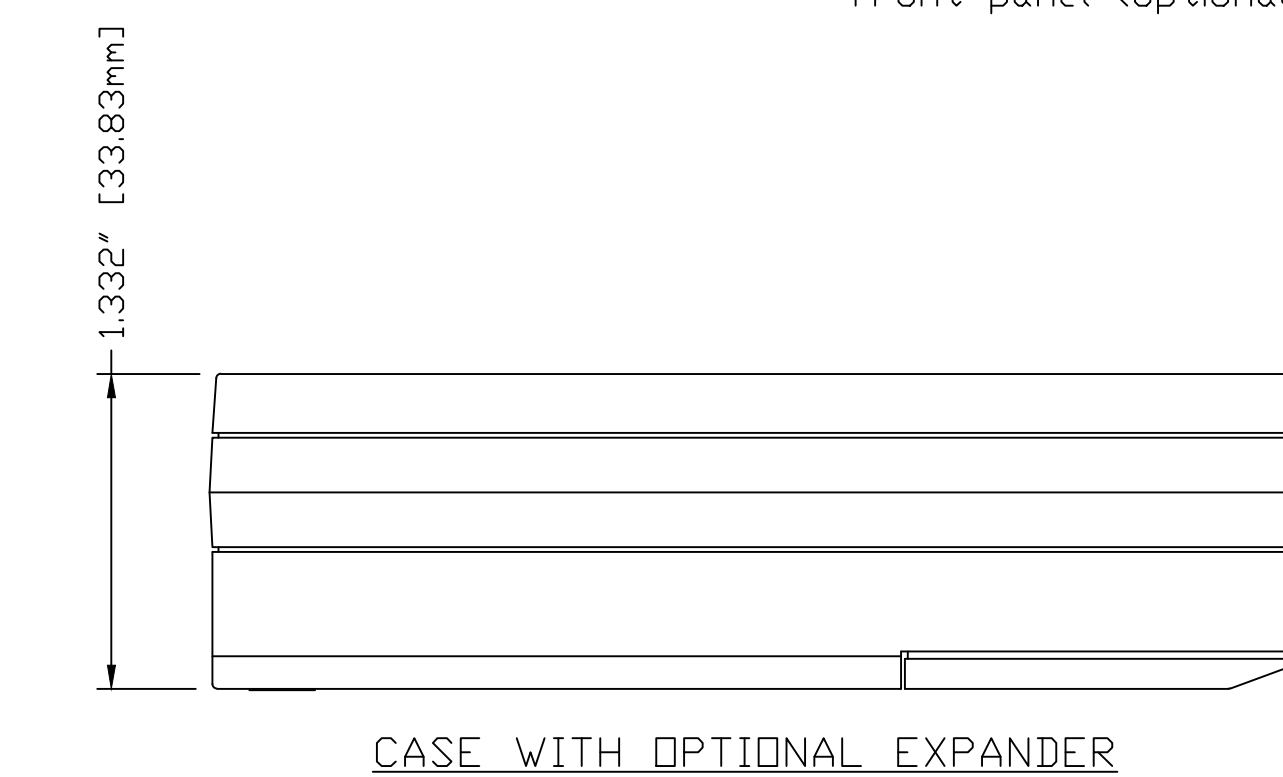
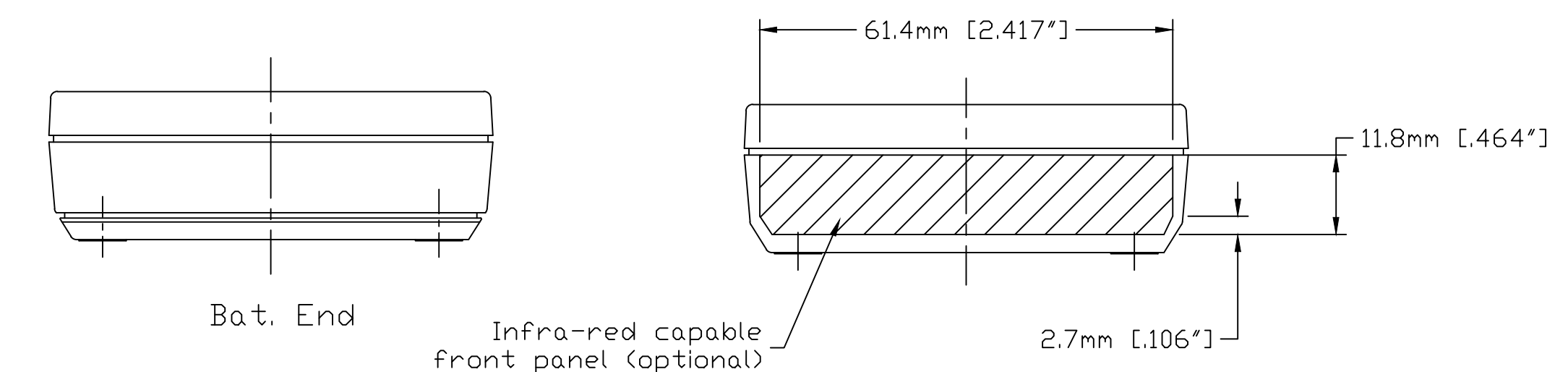
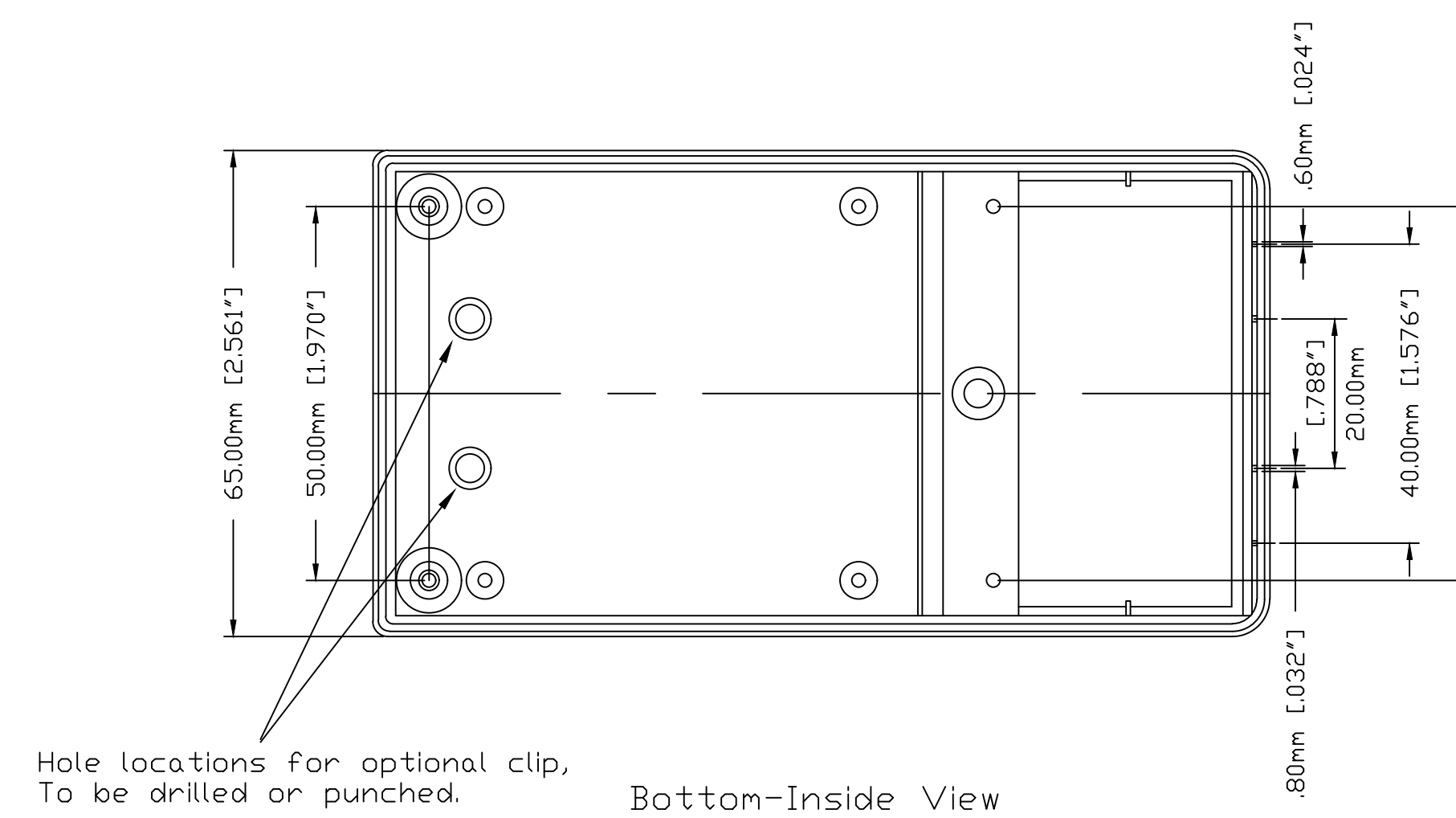
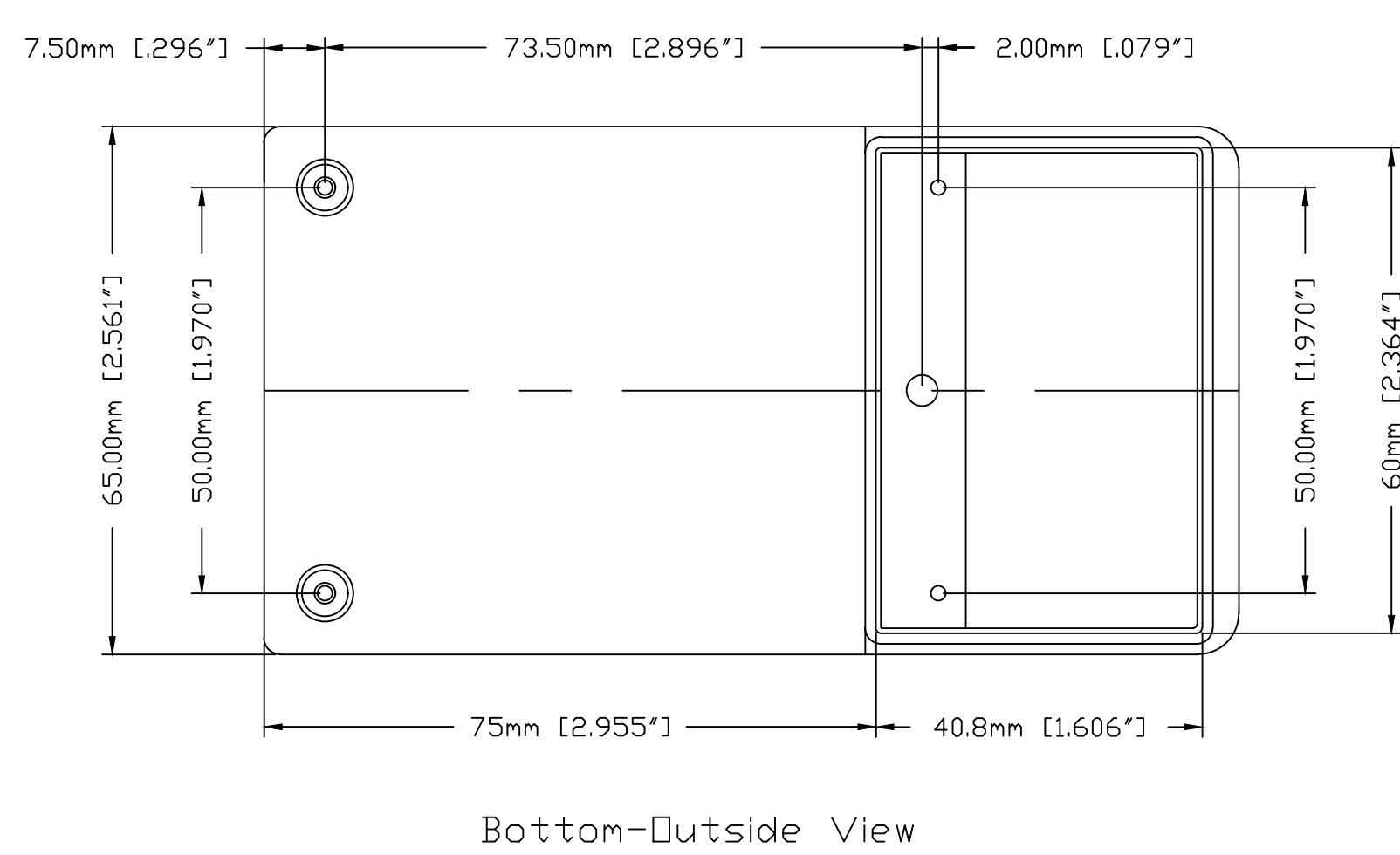
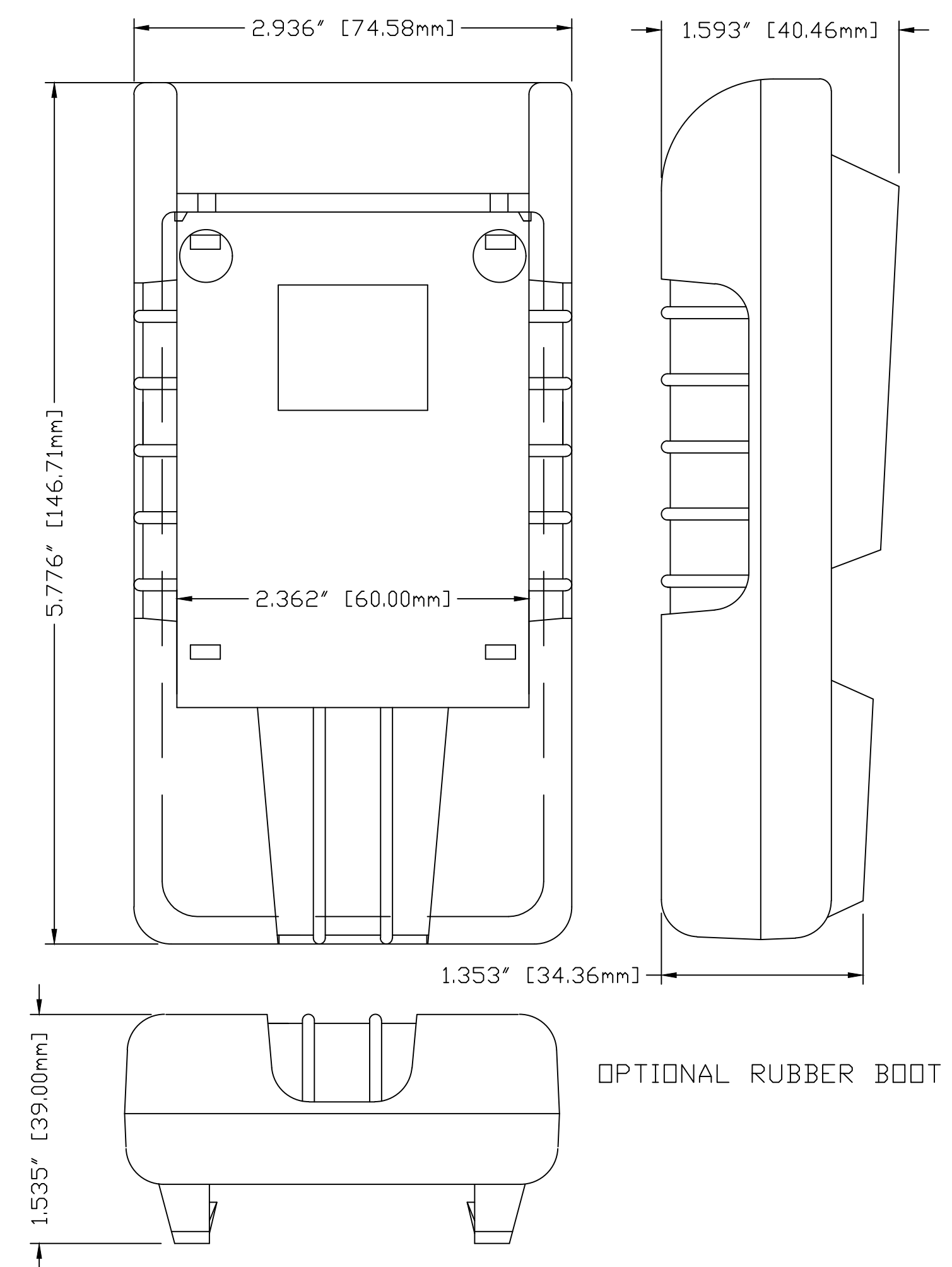
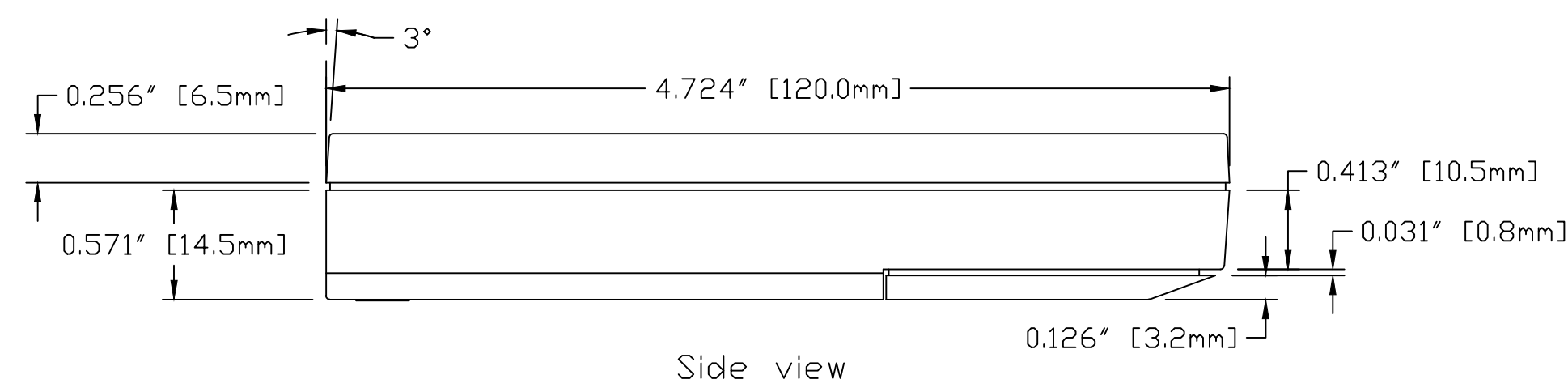
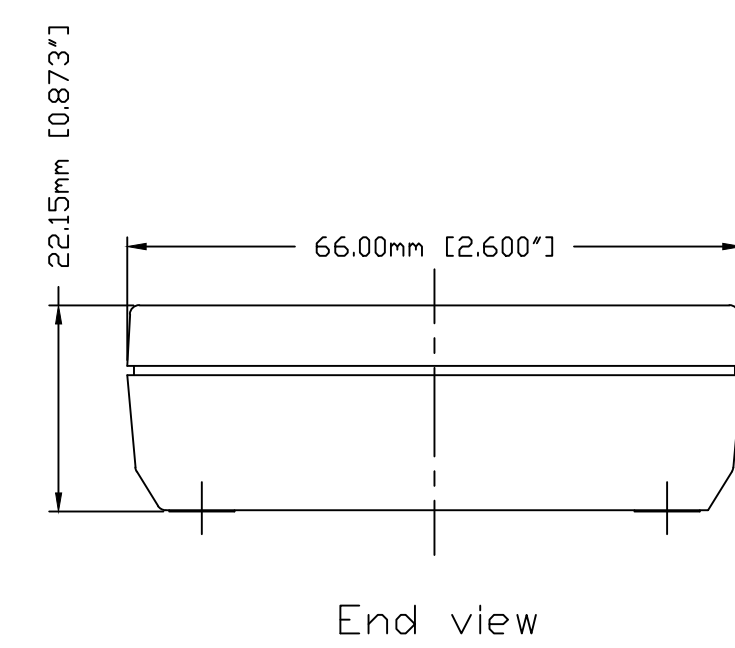


Clip Part No. CLP-BK or CLP-TW  
BK=BLACK  
TW=TEXTURED WHITE



Maximum size of PCB: Bottom 58X68mm, Cover 58X81mm (cutout of pillars not taken into consideration)

Title Eng. Drawing C size Master			
DATE 10/24/19	BOX # PBL Master	Drn. by R.F.K.	
SCALE 1:1	SHEET 1 of 1	REV 19.A	