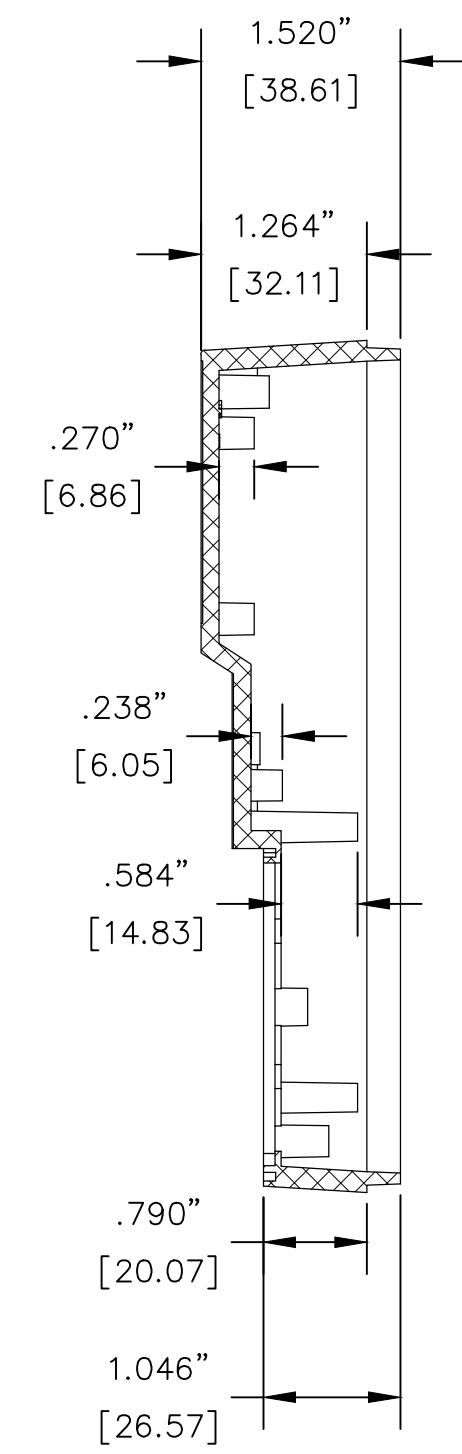
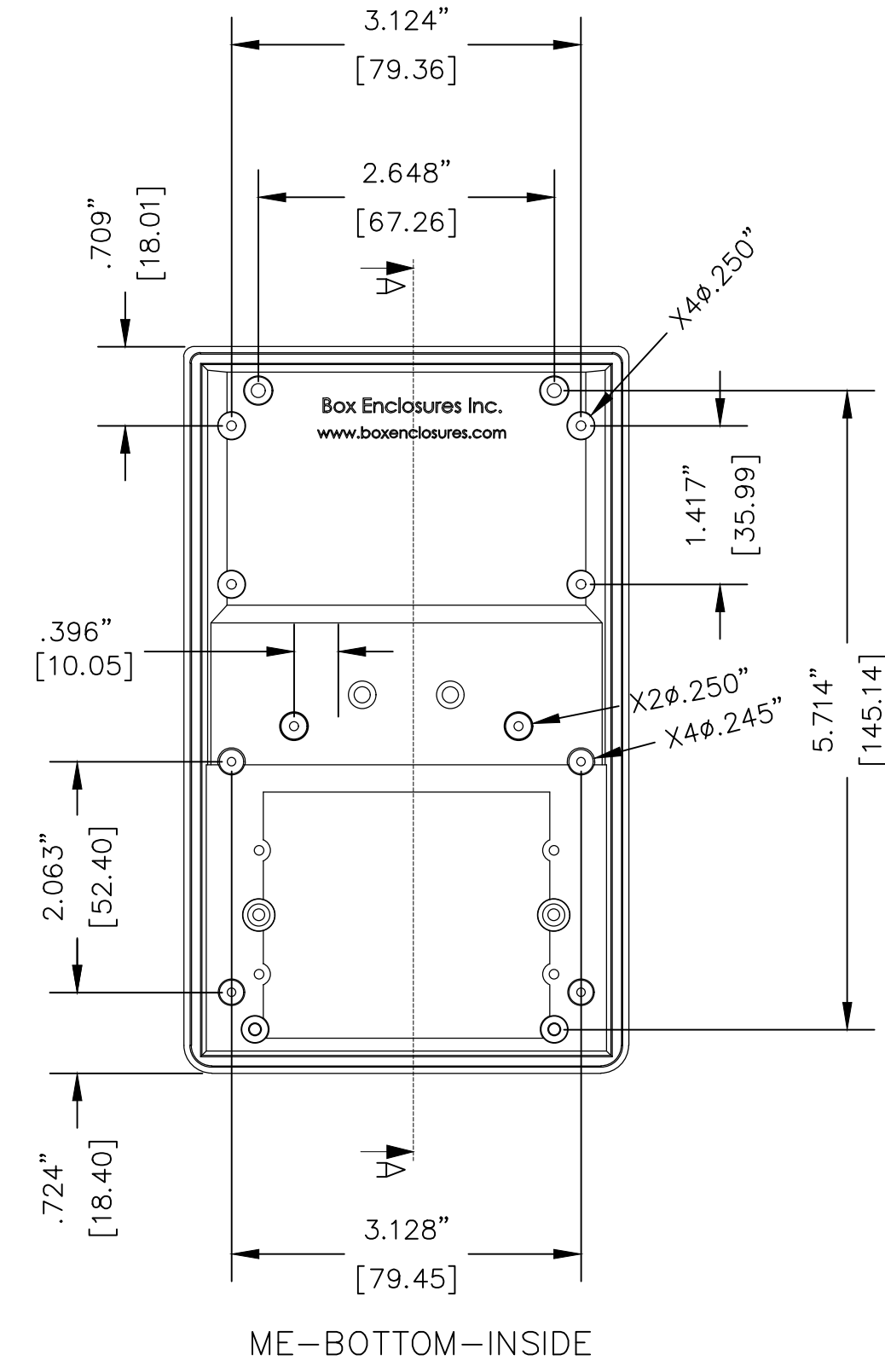


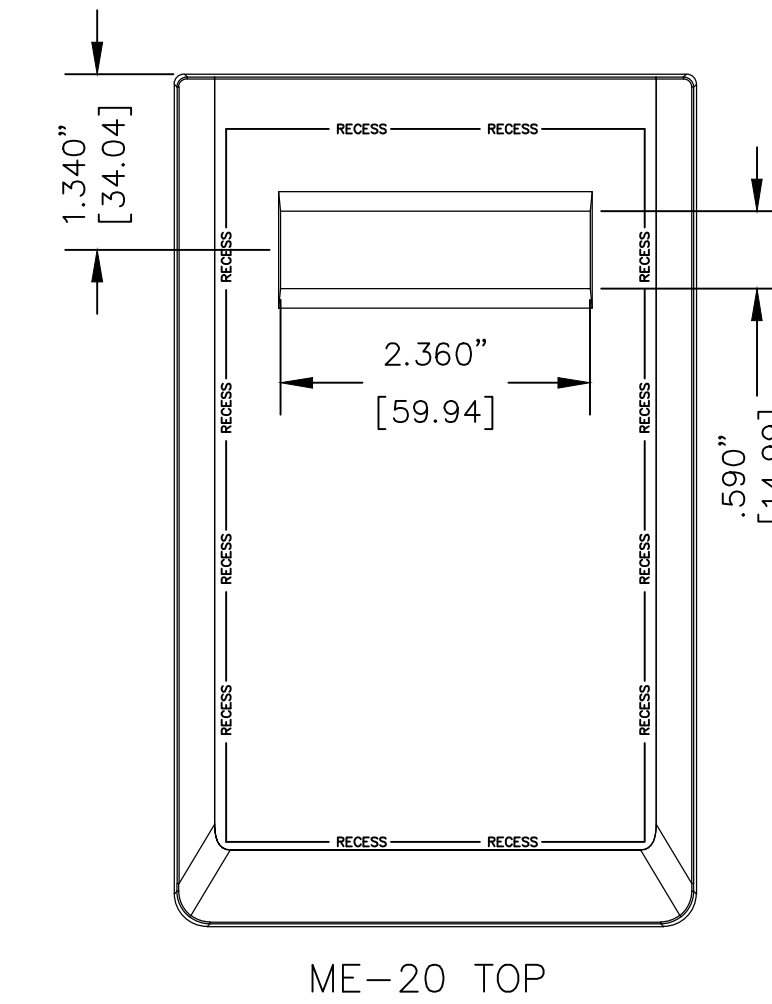
ME-BOTTOM-OUTSIDE



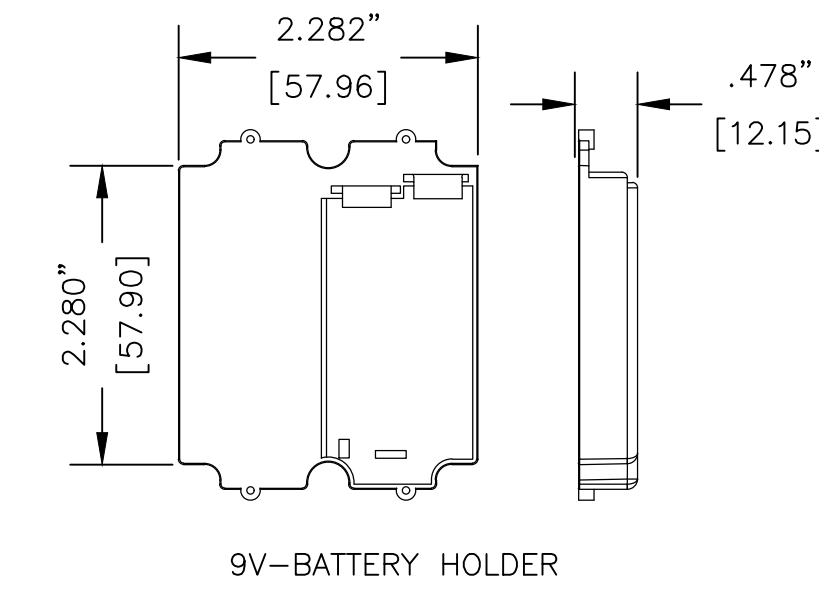
SECTION 'A-A'



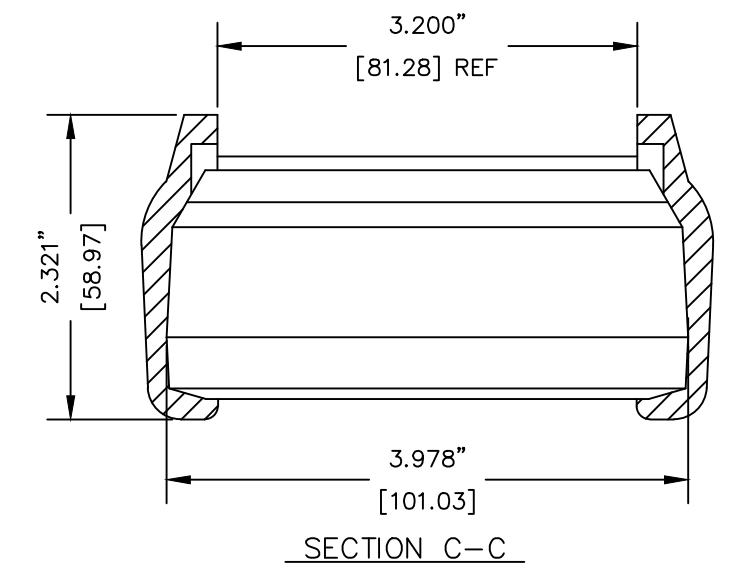
ME-BOTTOM-INSIDE



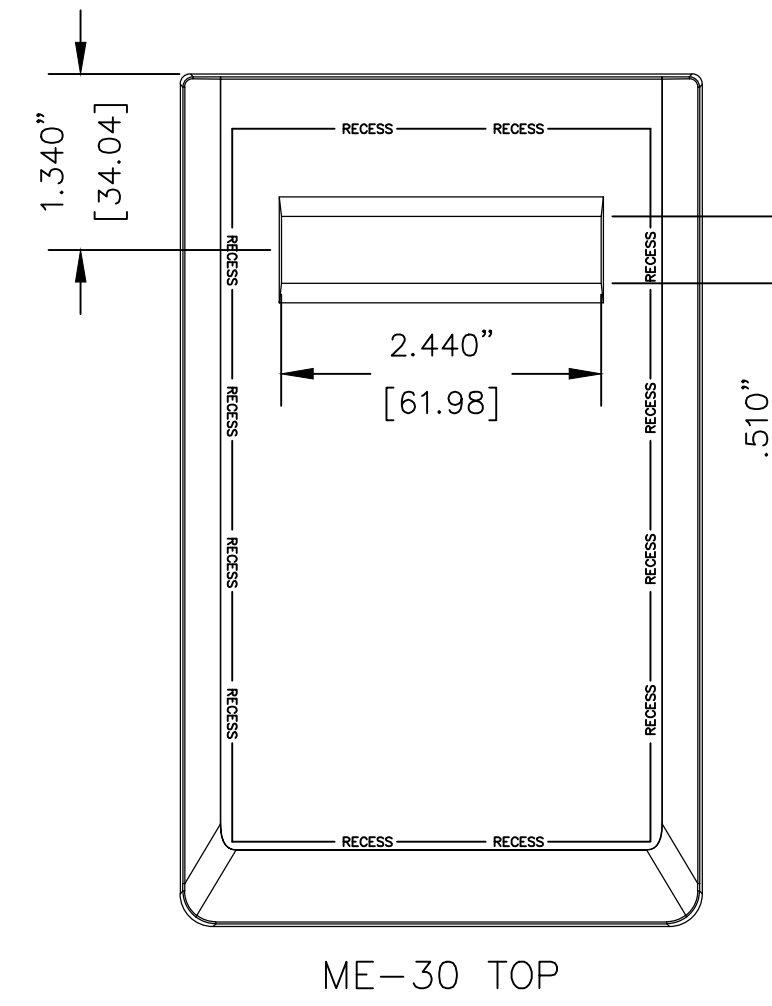
ME-20 TOP



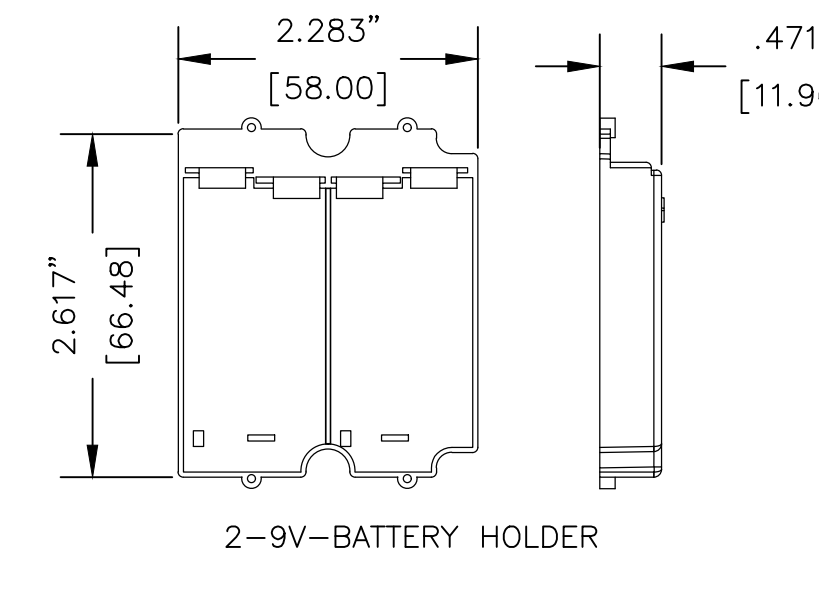
9V-BATTERY HOLDER



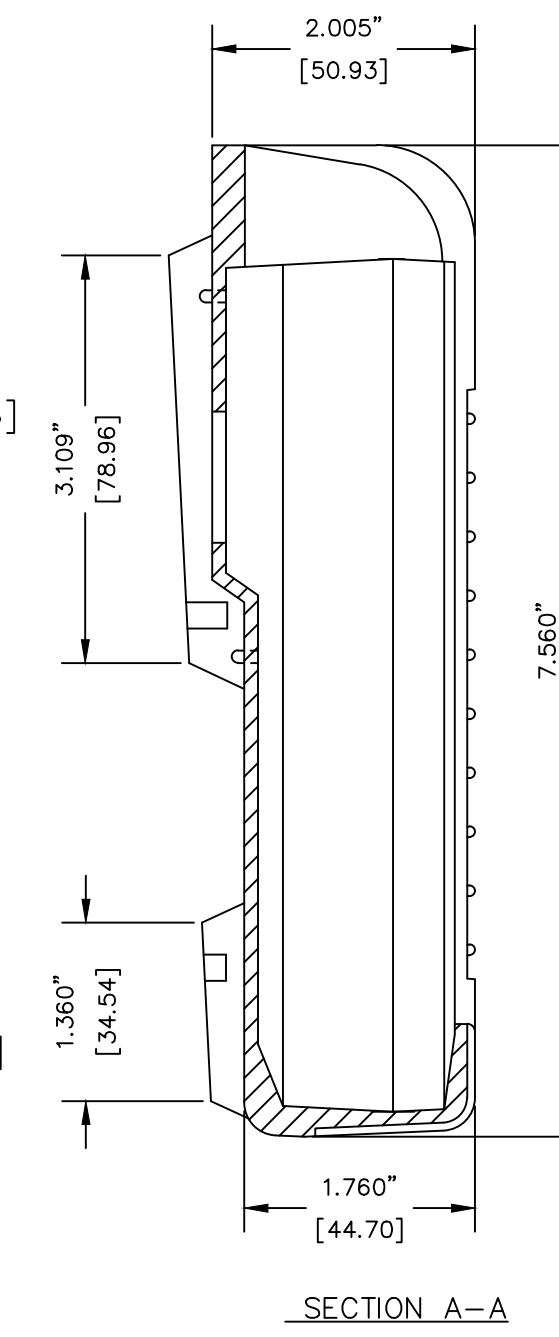
SECTION C-C



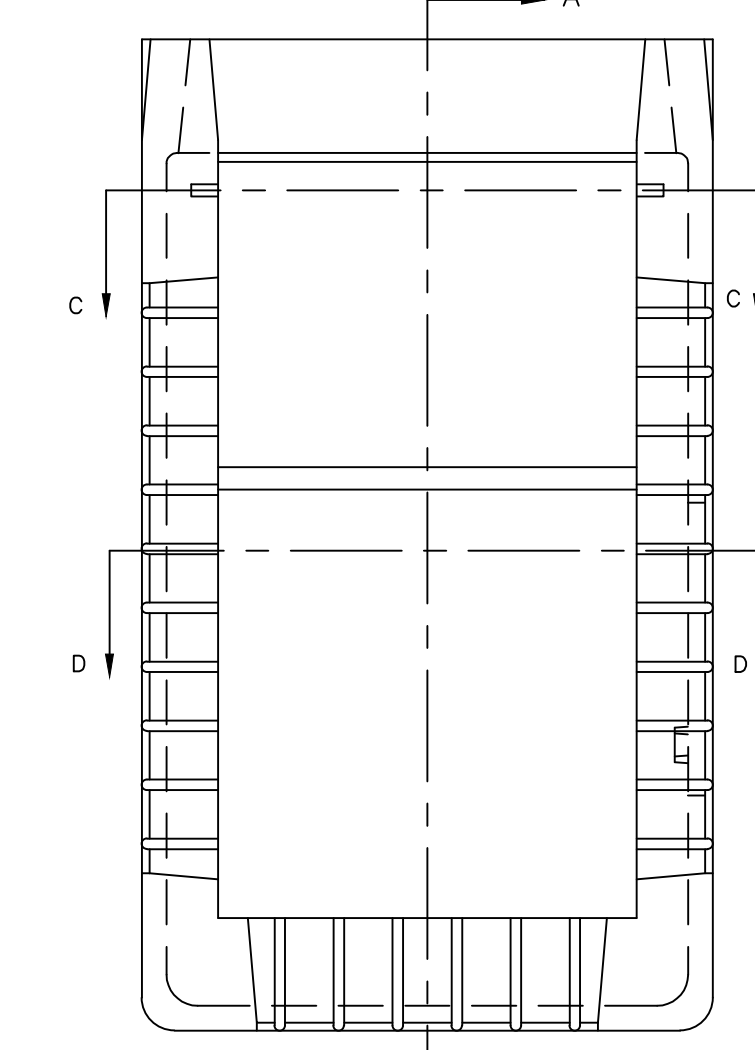
ME-30 TOP



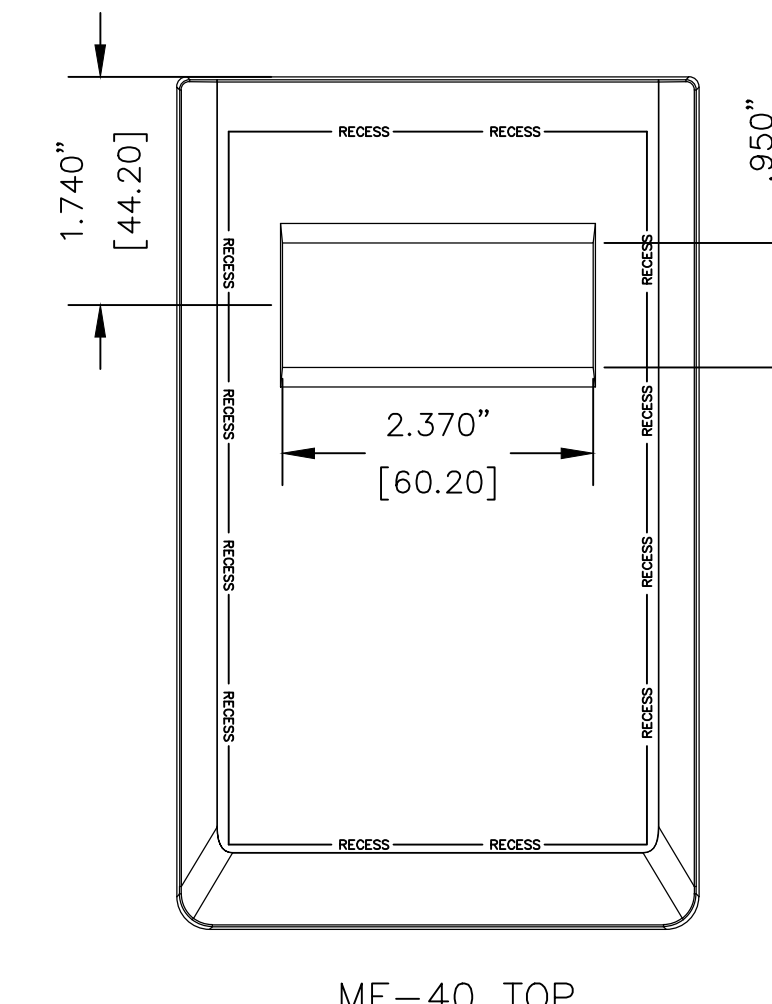
2-9V-BATTERY HOLDER



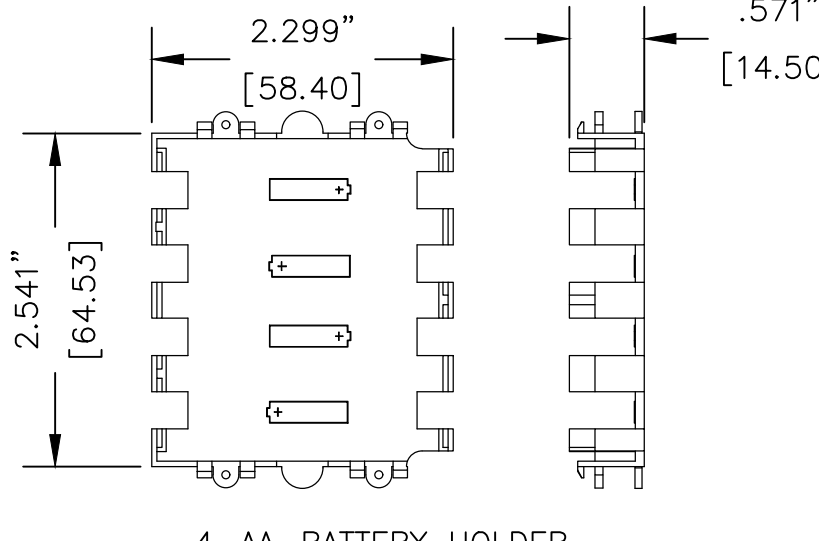
SECTION A-A



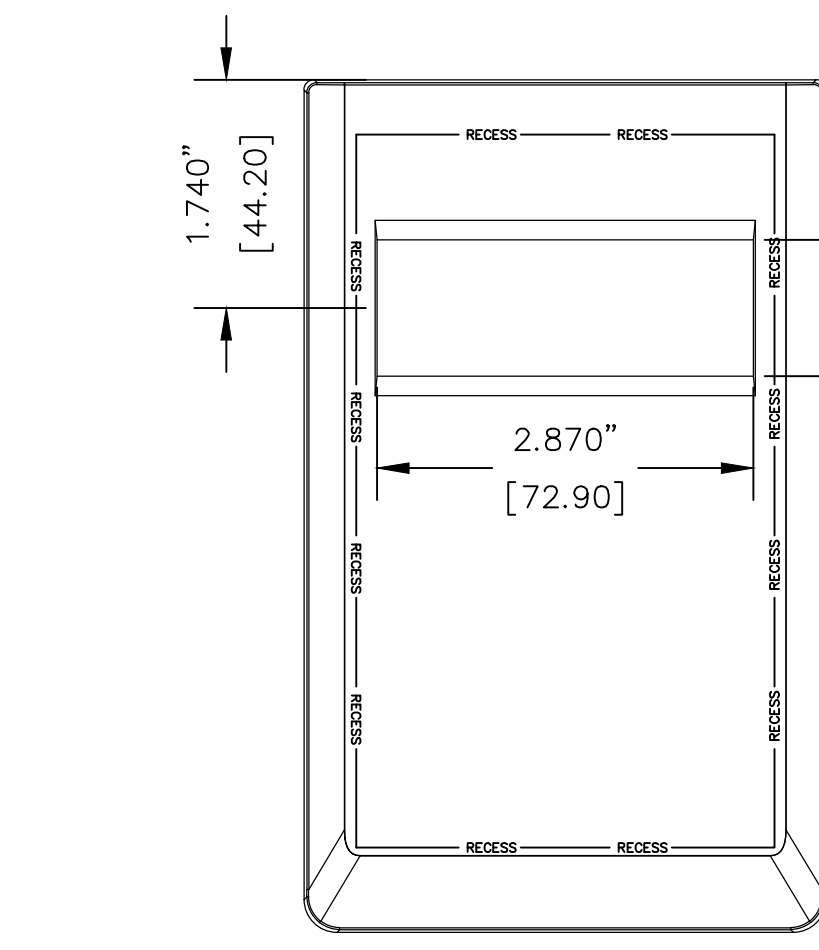
OPTIONAL RUBBER BOOT



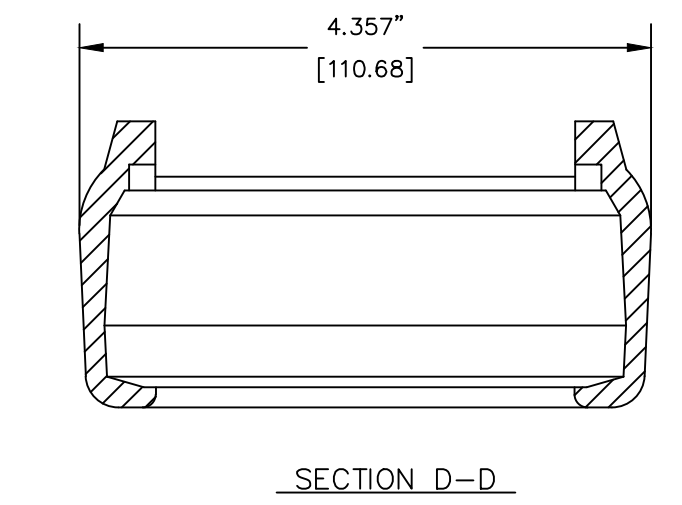
ME-40 TOP



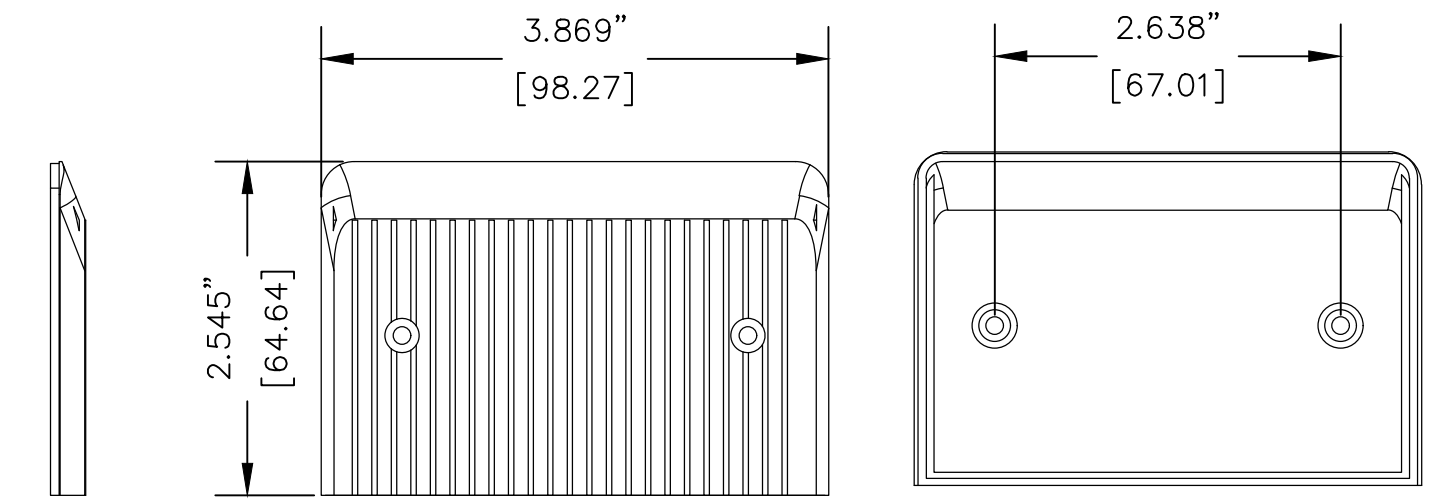
4-AA-BATTERY HOLDER



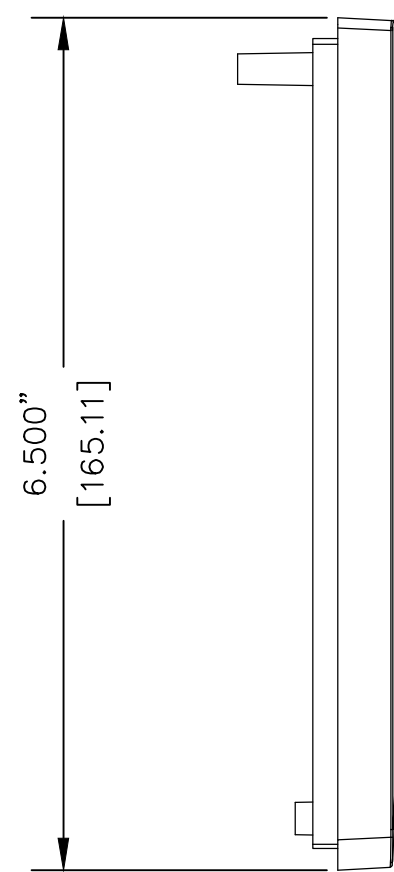
ME-50 TOP



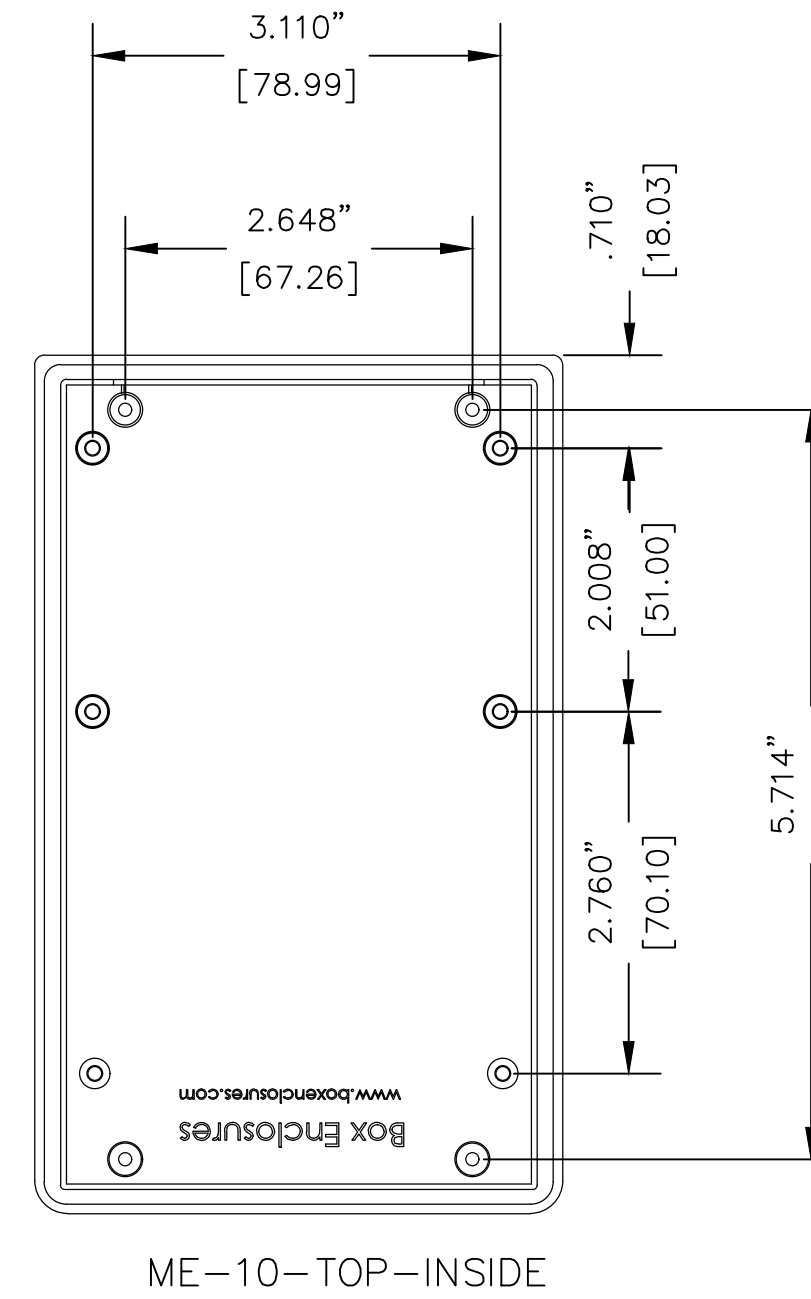
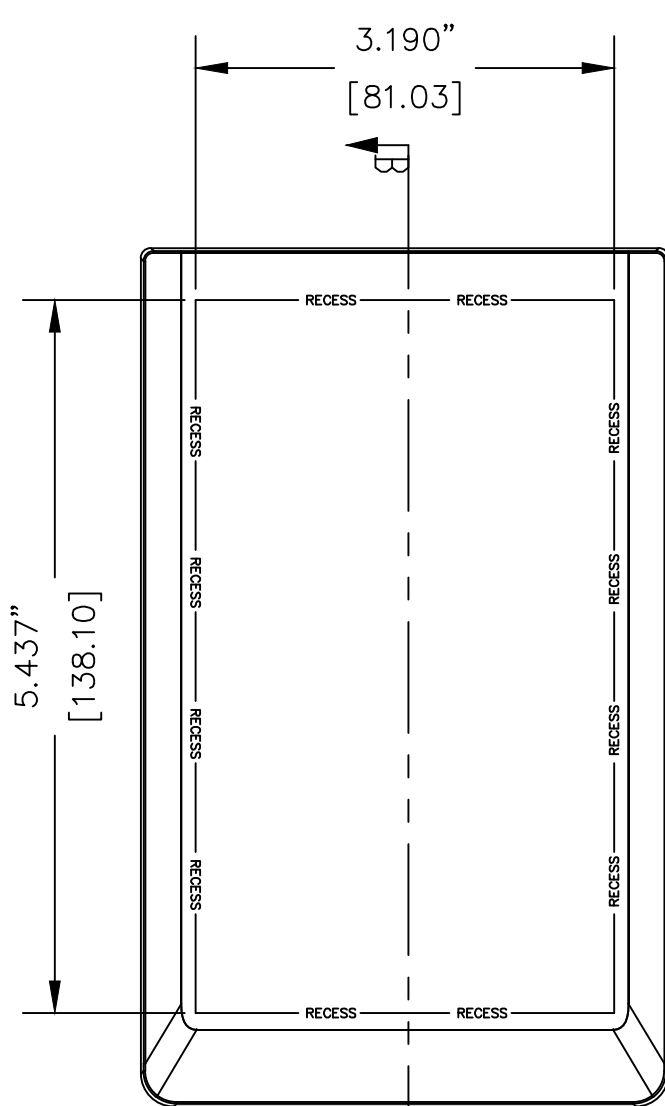
SECTION D-D



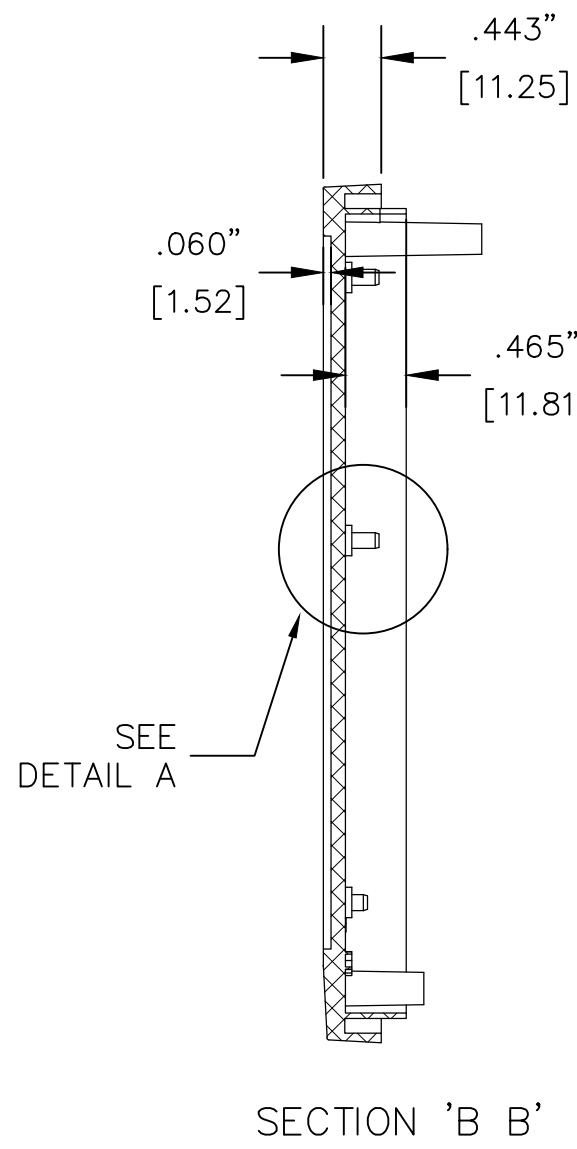
BATTERY DOOR



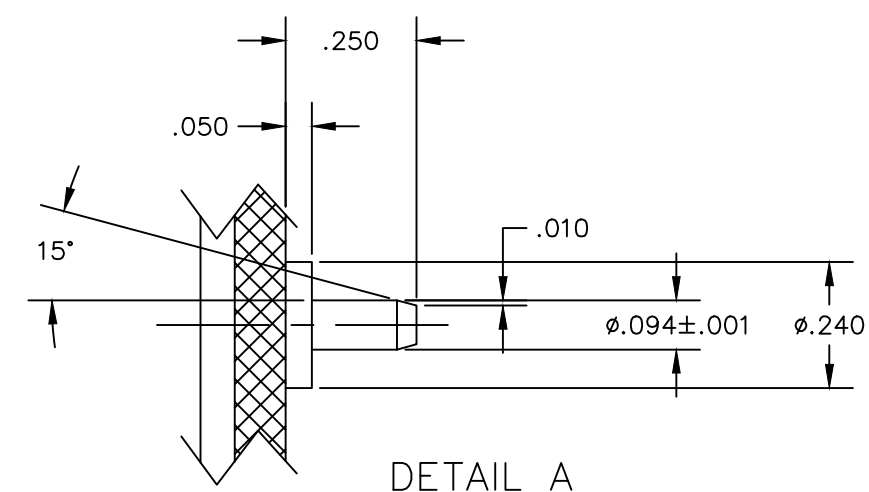
ME-10-TOP-OUTSIDE



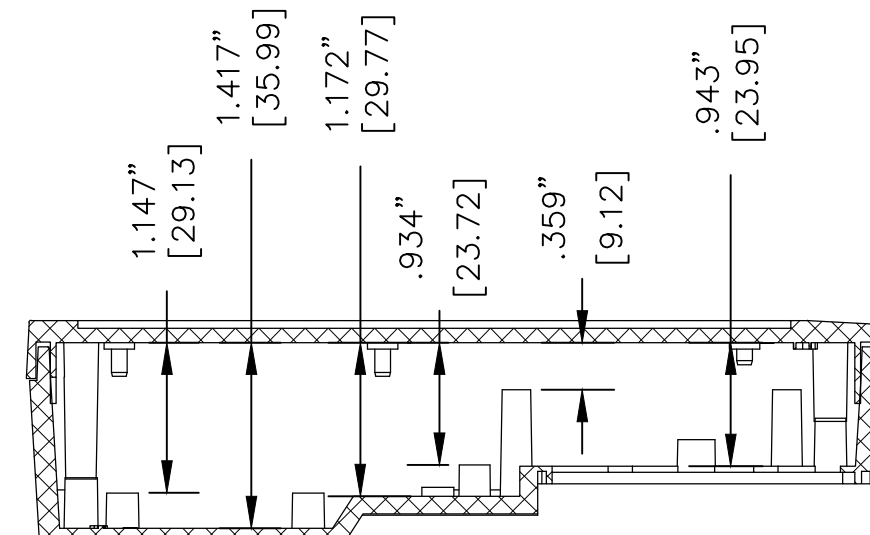
ME-10-TOP-INSIDE



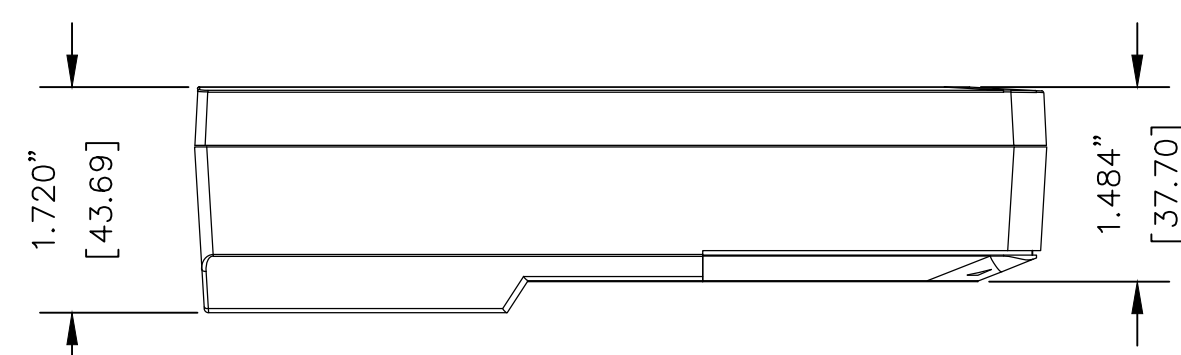
SECTION 'B-B'



DETAIL A



ASSEMBLED SECTION



ASSEMBLED VIEW