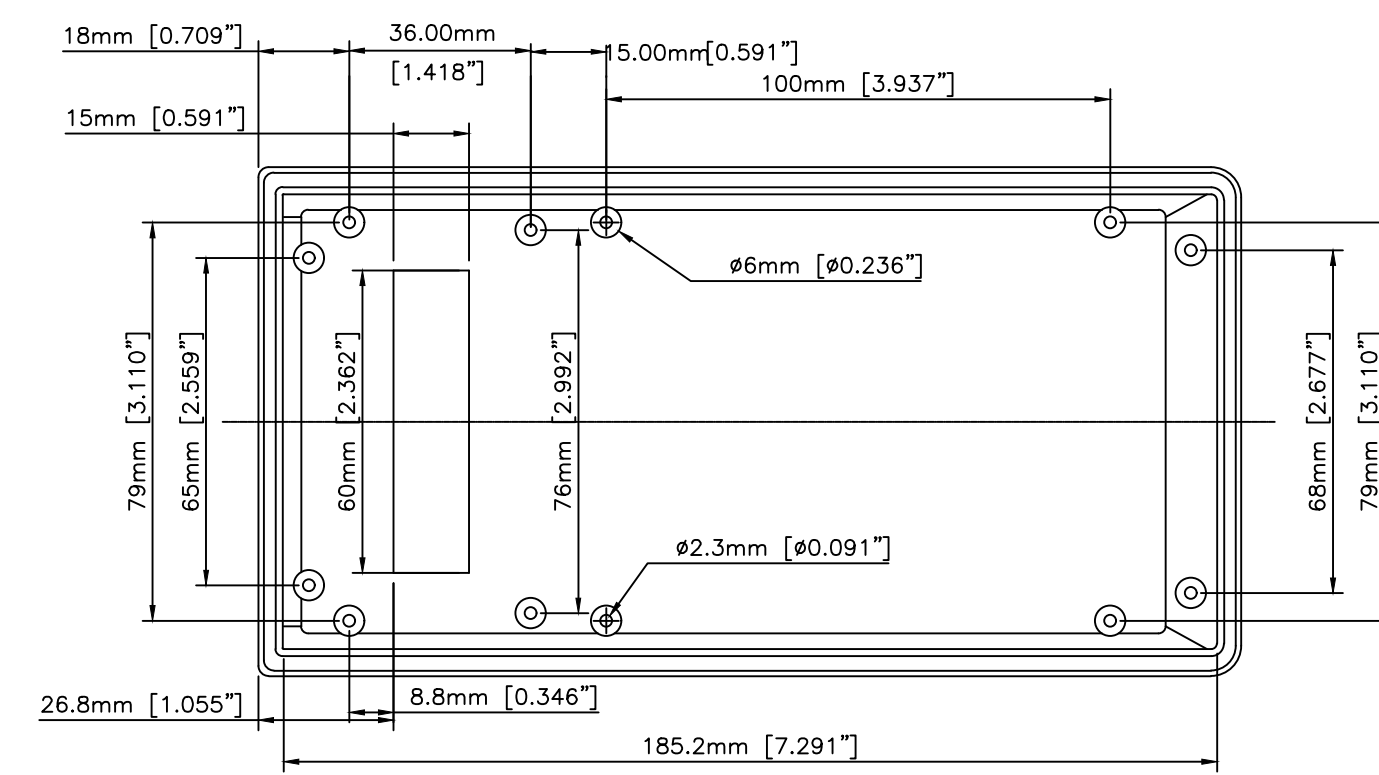
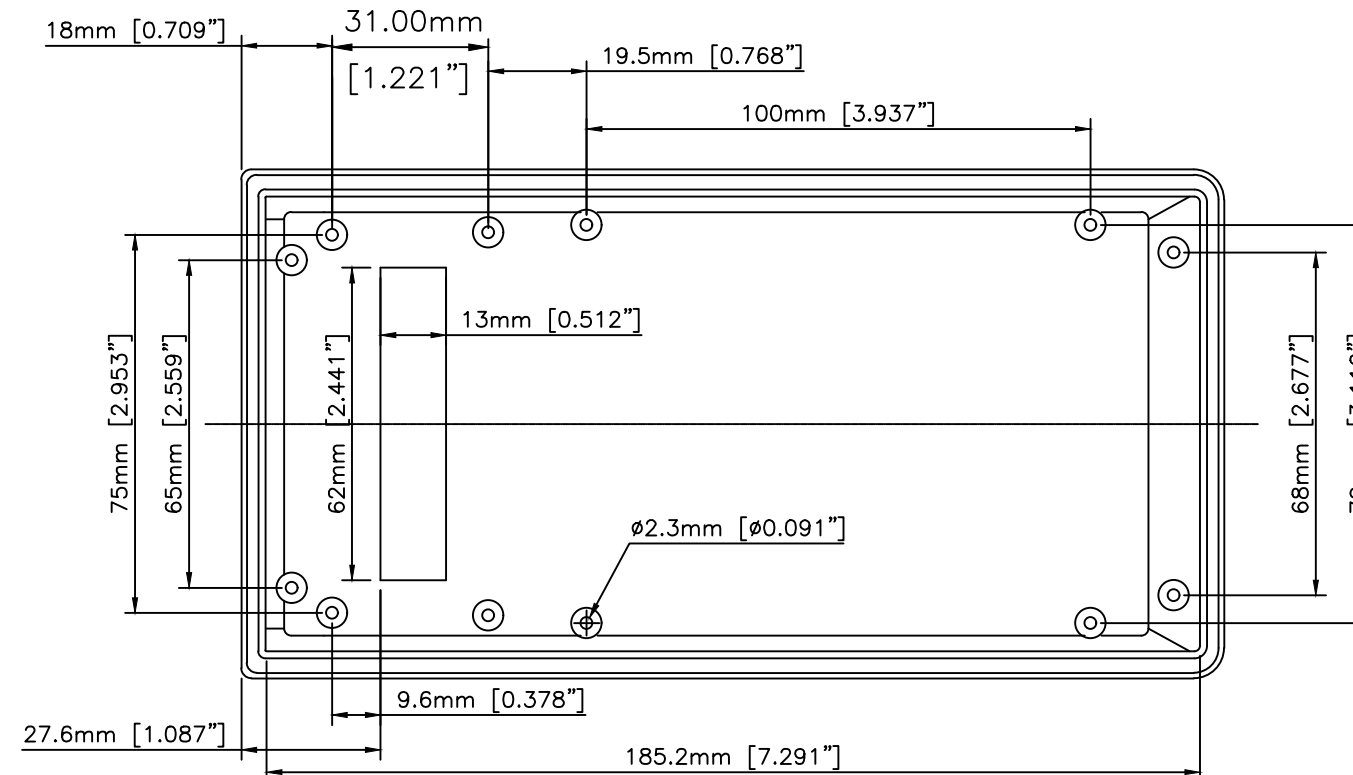


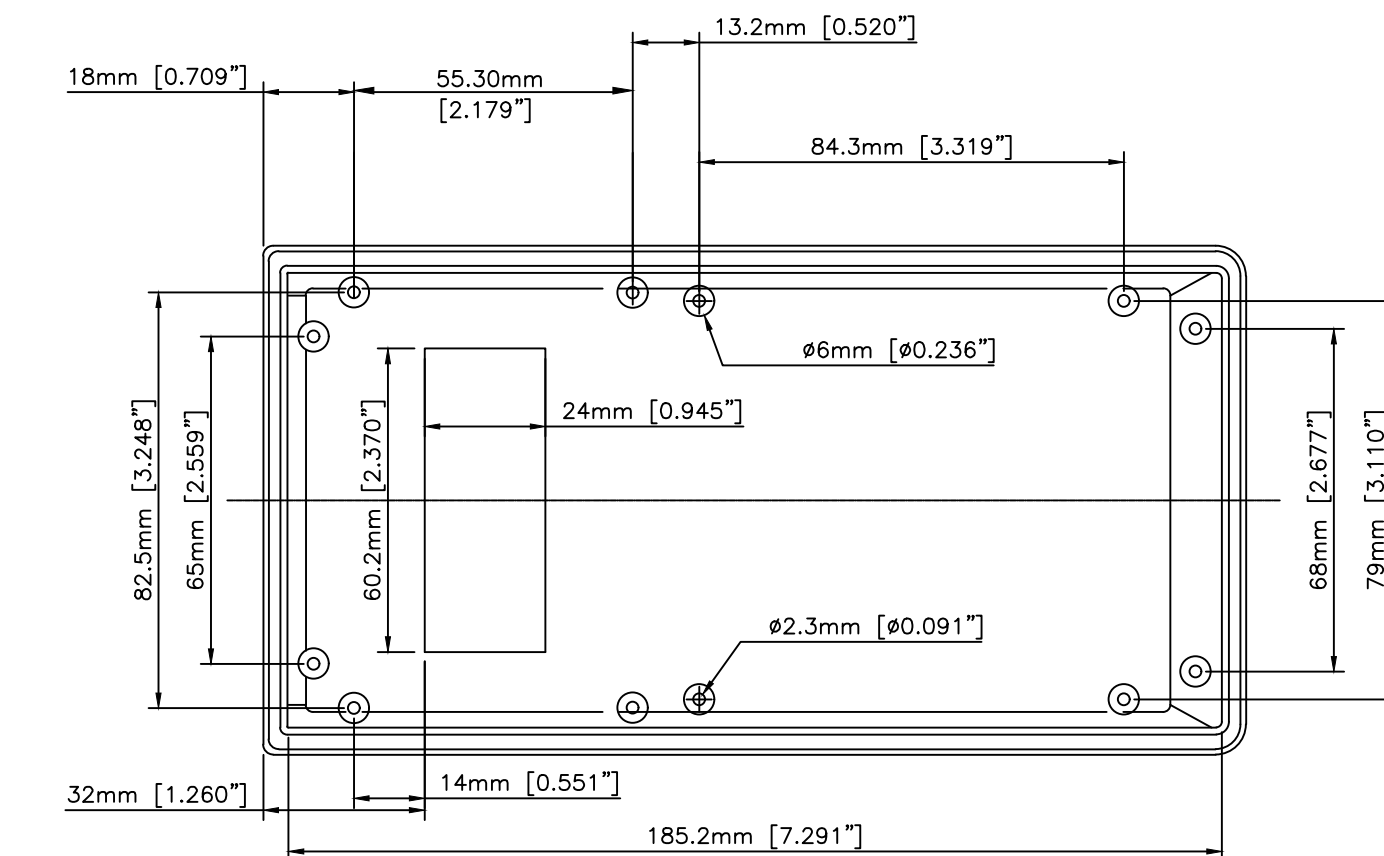
MBM-109 COVER-INSIDE (Version I)*



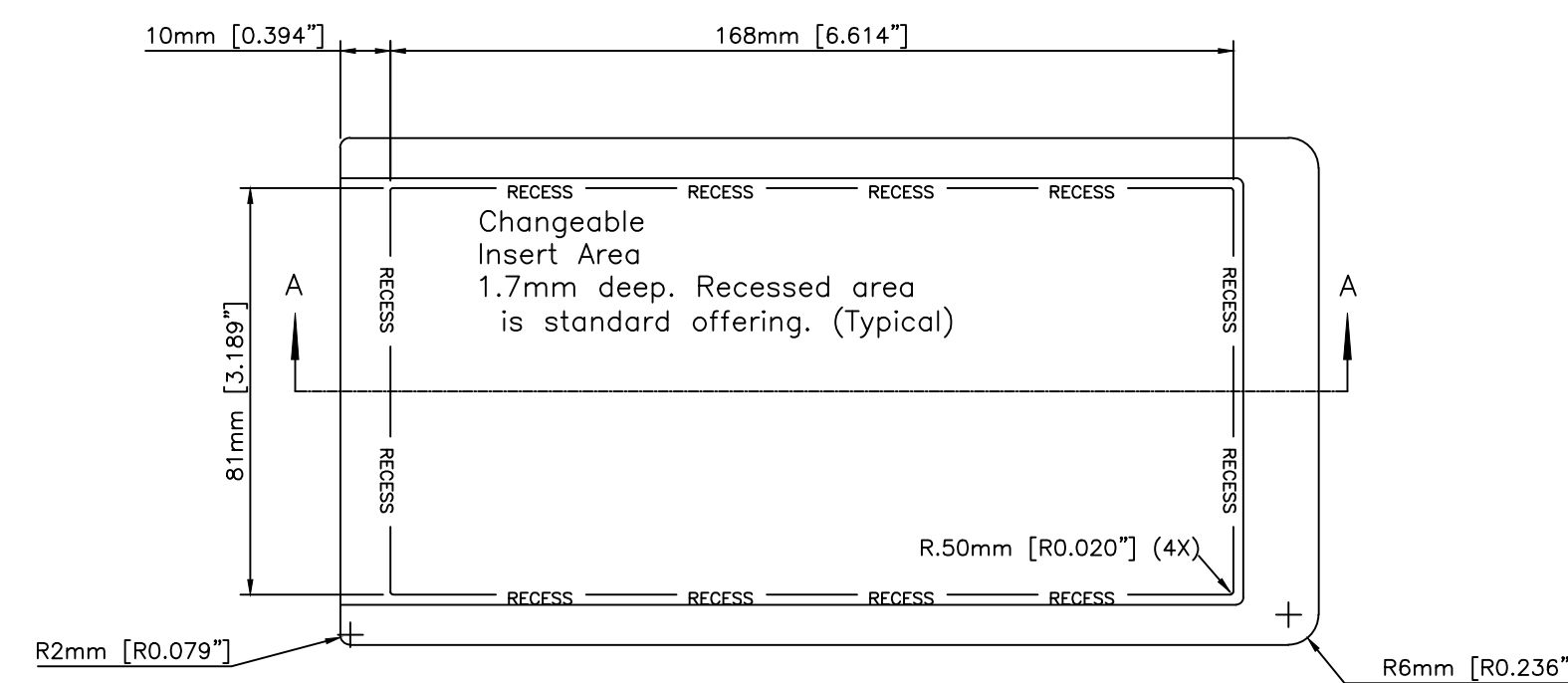
MBM-209 COVER-INSIDE (Version II)*



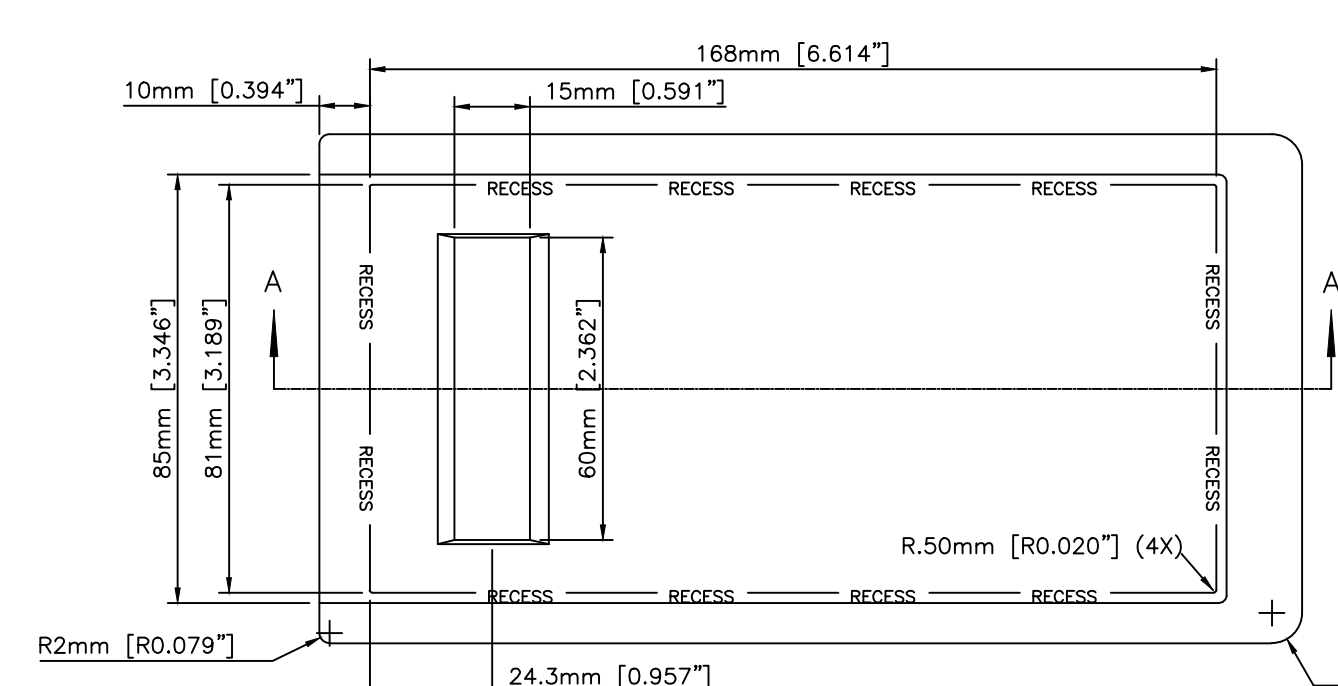
MBM 309 COVER-INSIDE- (Version III)*



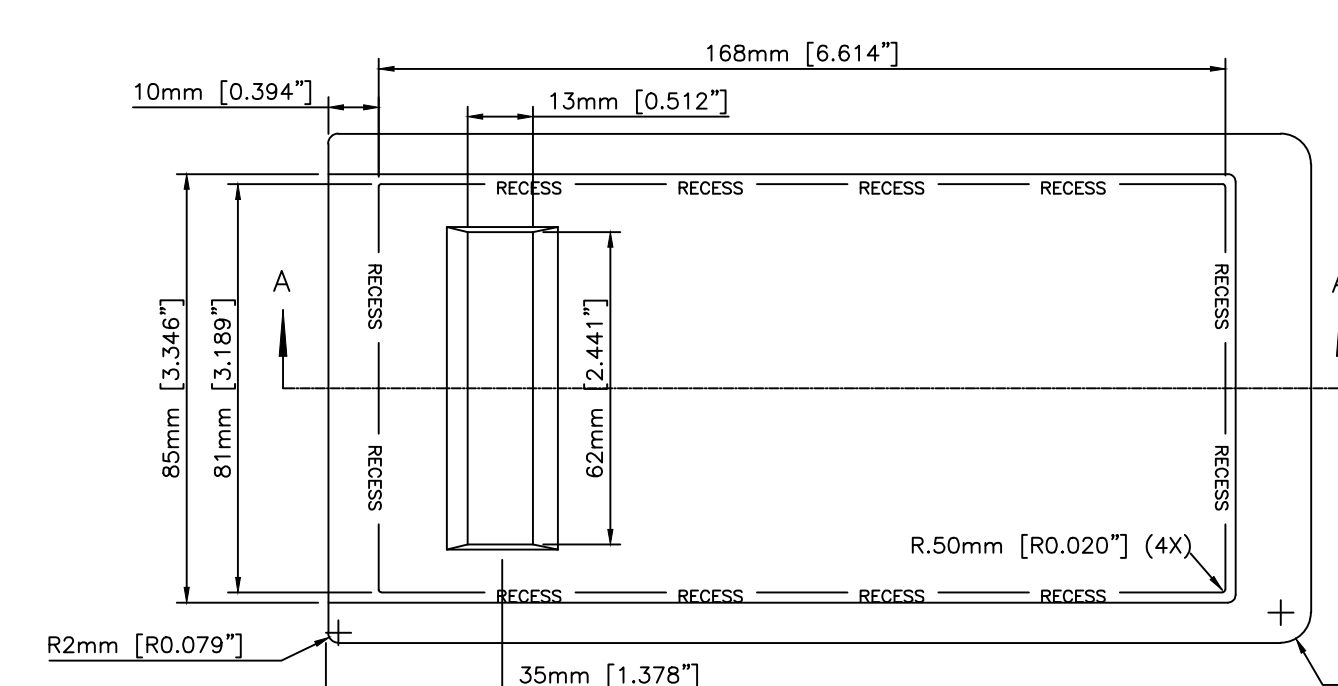
MBM-409 COVER-INSIDE (Version IV)*



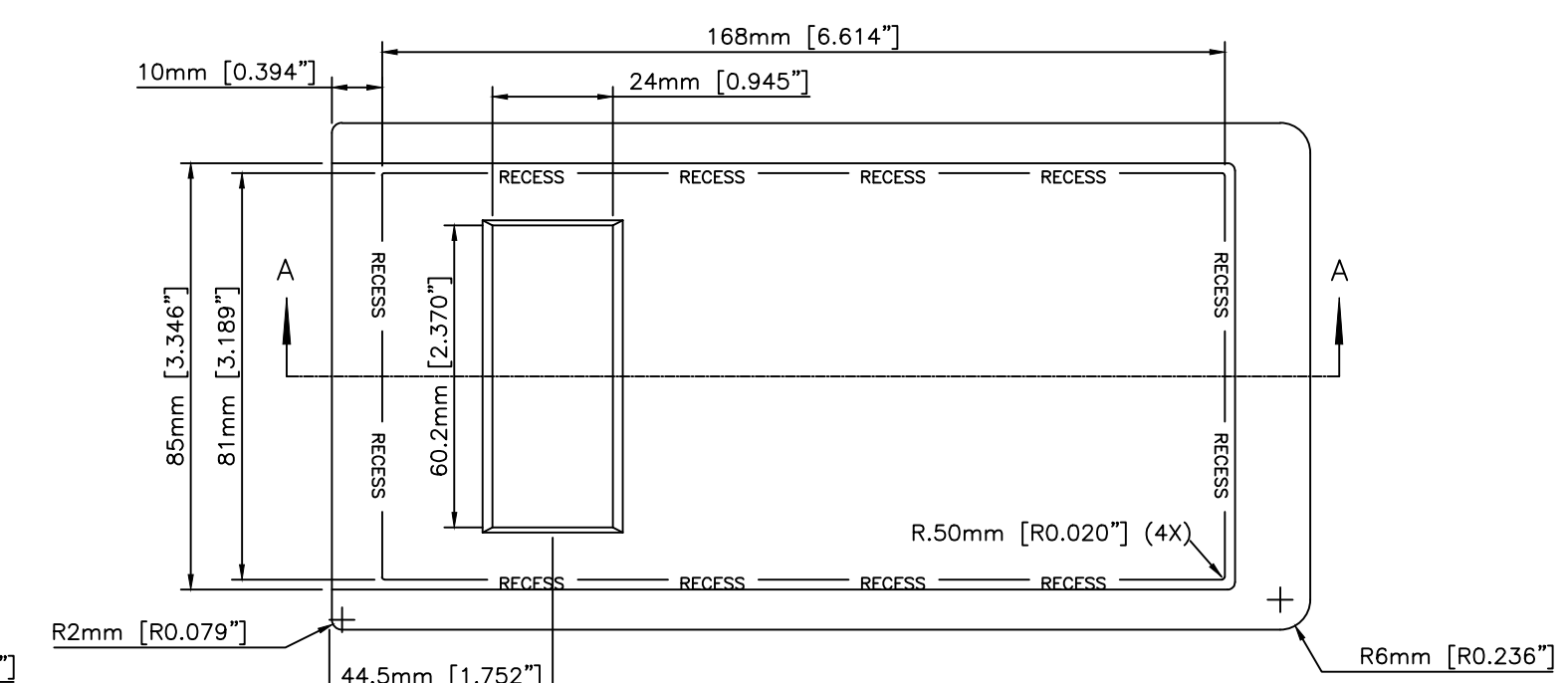
MBM-109 COVER-OUTSIDE (VERSION I)*



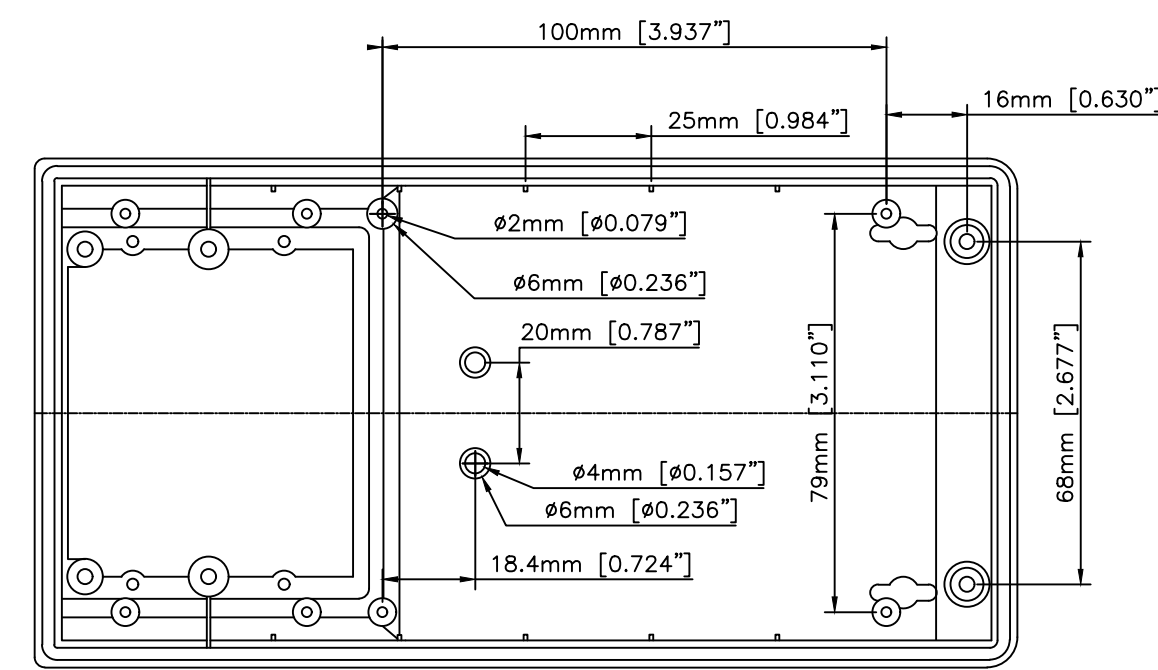
MBM 209 COVER-OUTSIDE (VERSION II)*



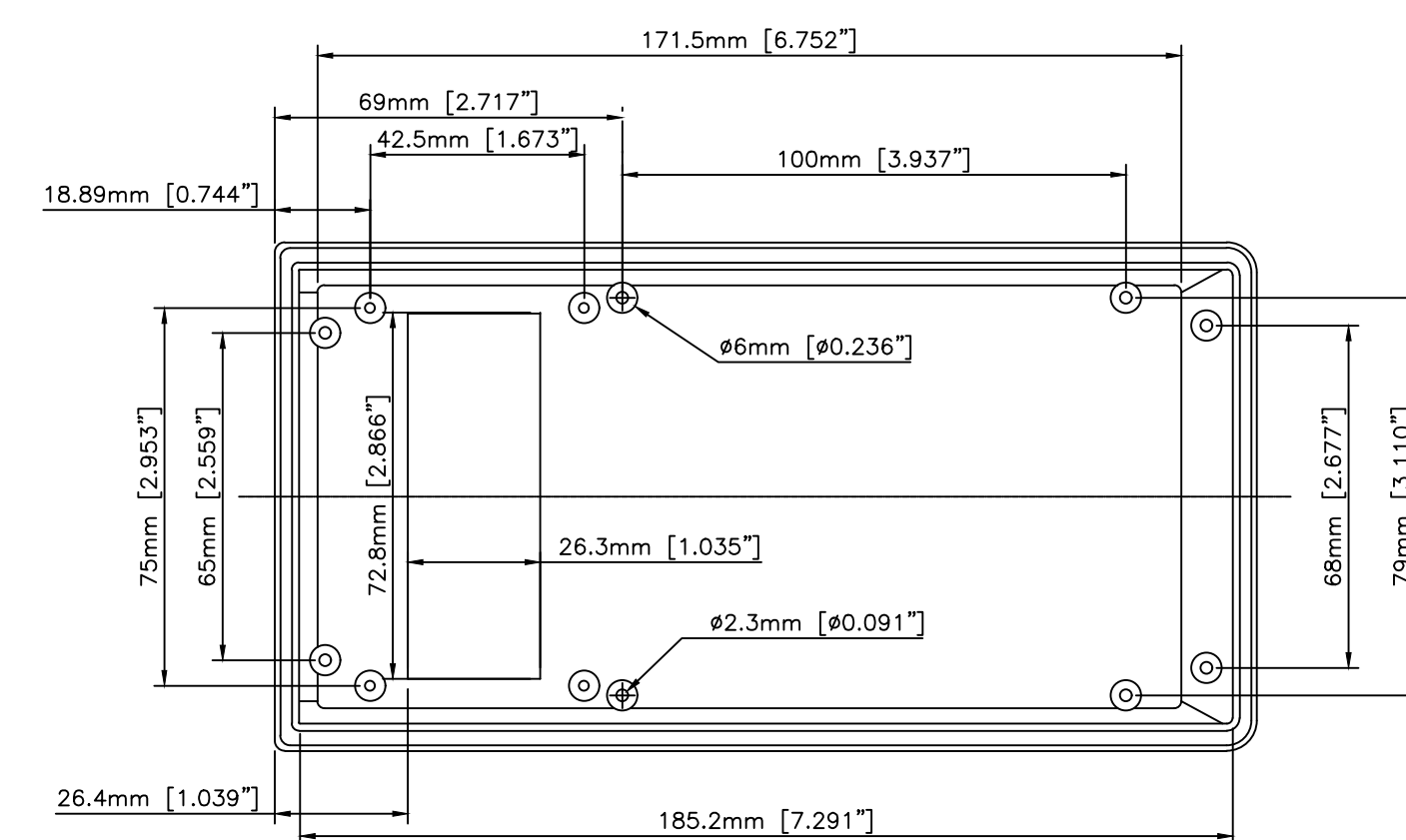
MBM 309 COVER-OUTSIDE (VERSION III)*



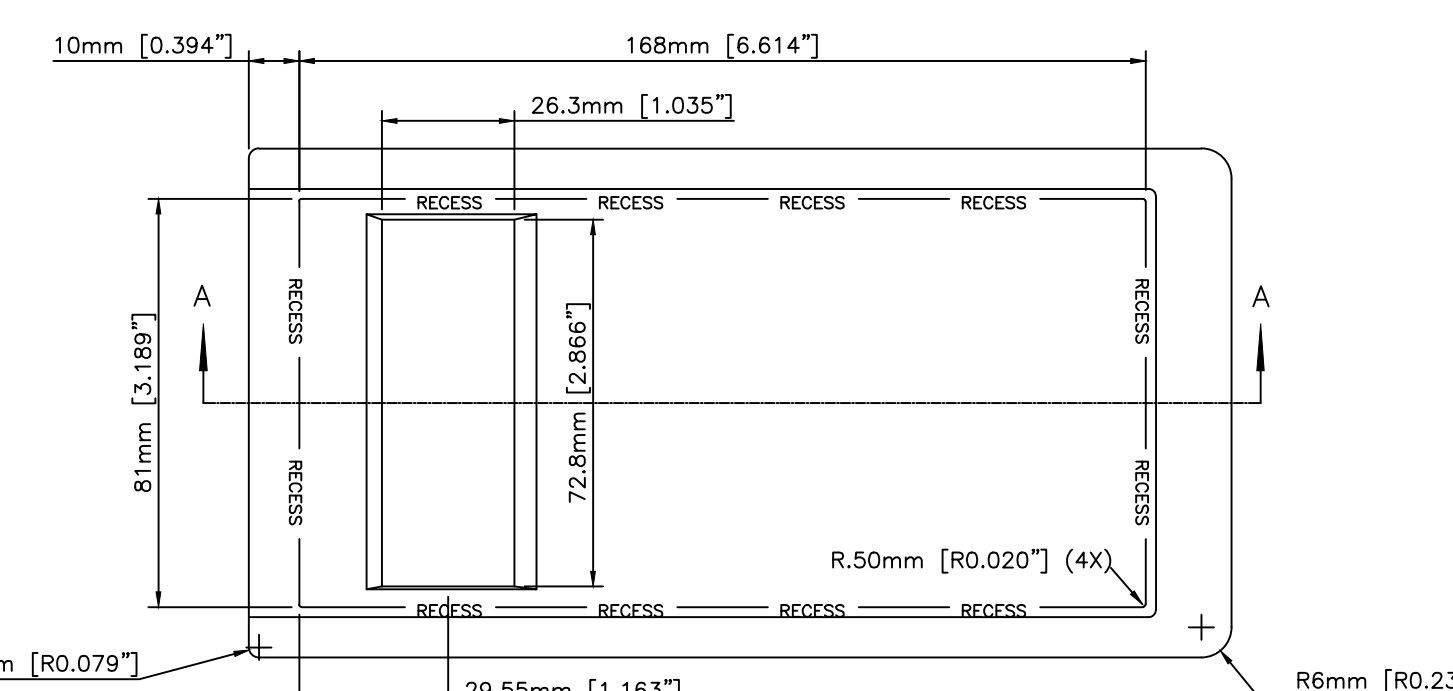
MBM-409 COVER-OUTSIDE (Version IV)*



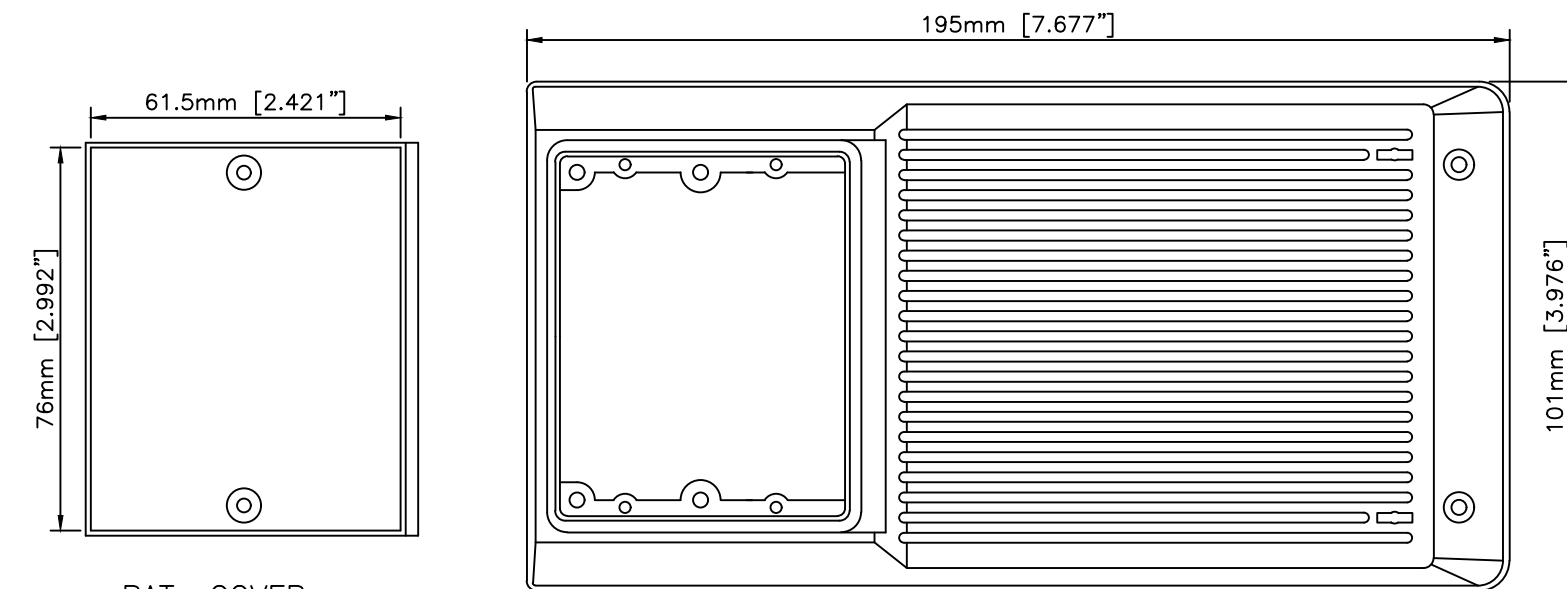
MBM BOTTOM-INSIDE



MBM-509 COVER-INSIDE (VERSION 5)*

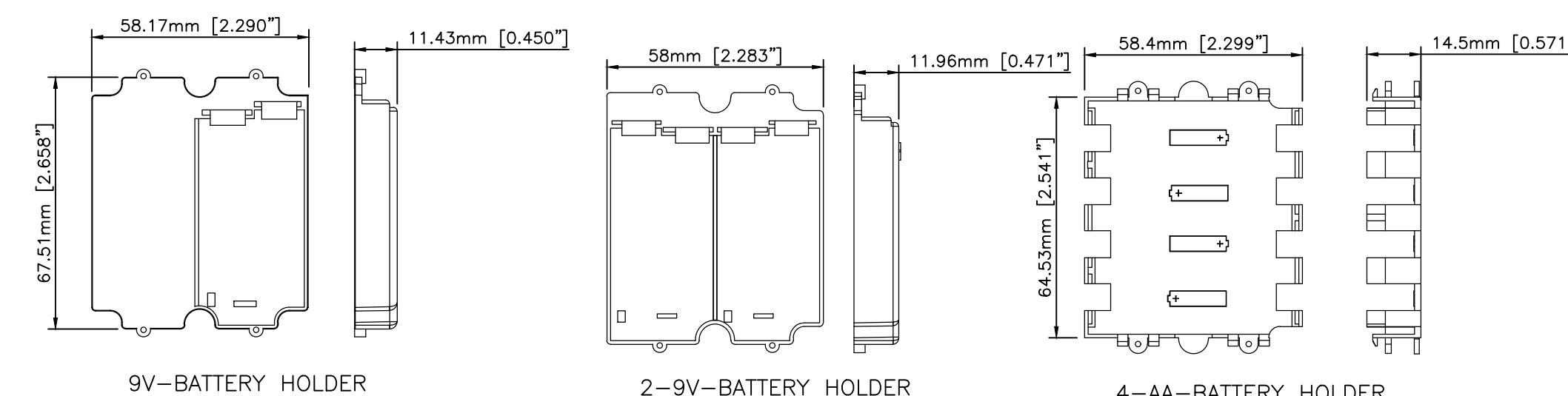


MBM-509 COVER-OUTSIDE (VERSION 5)*



BAT.-COVER

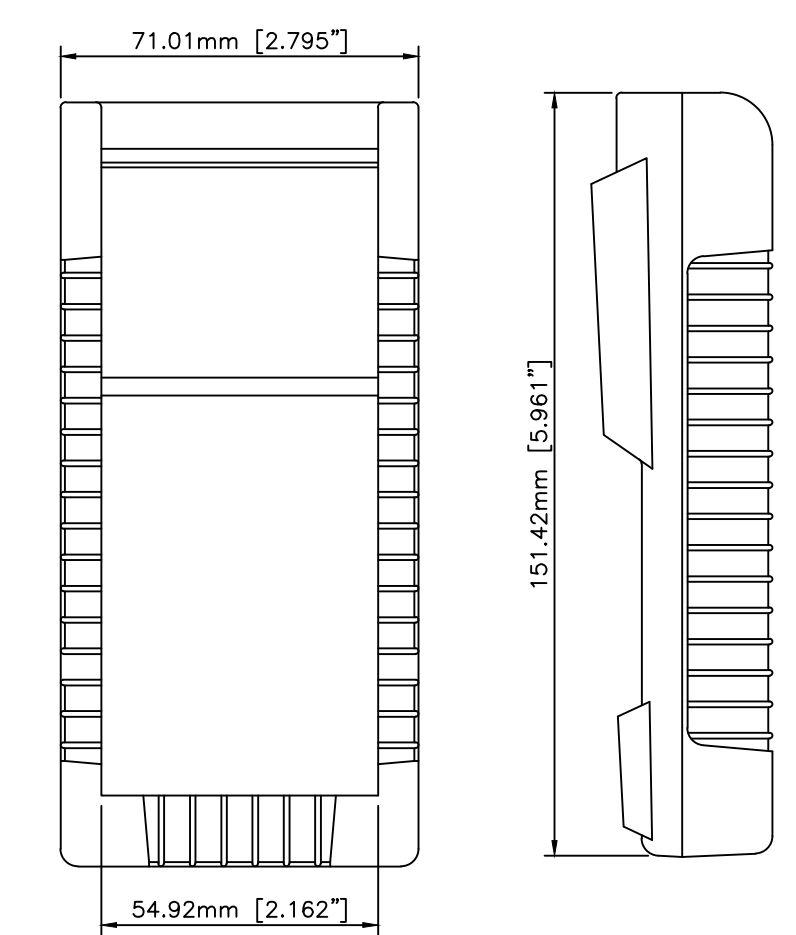
MBM BOTTOM-OUTSIDE



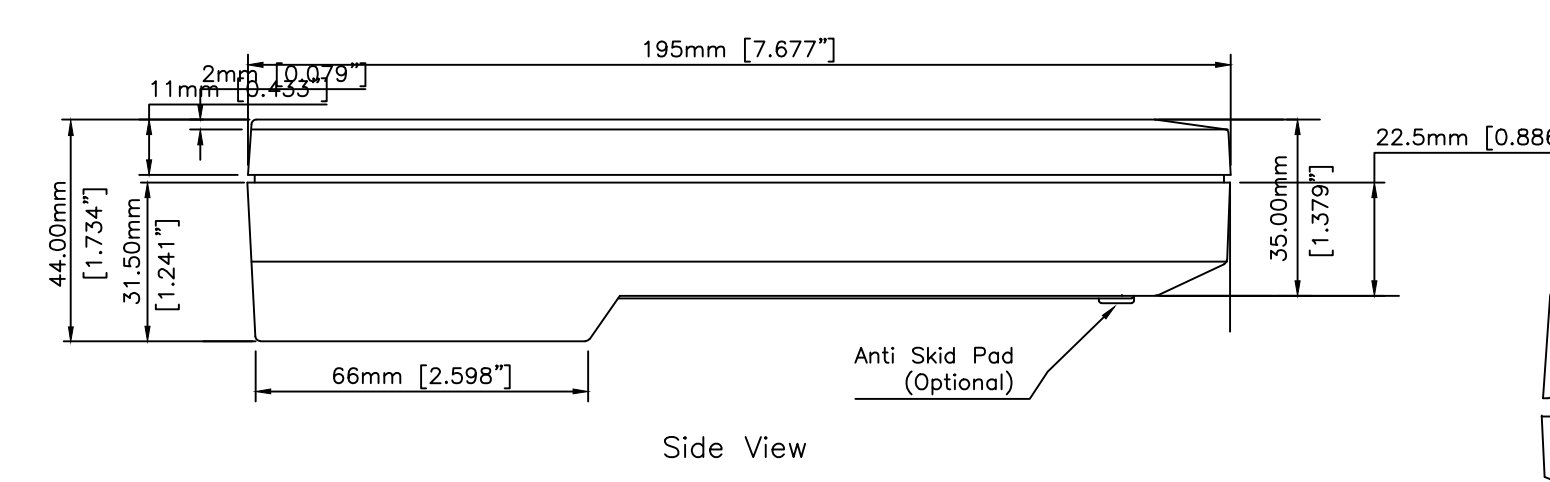
9V-BATTERY HOLDER

2-9V-BATTERY HOLDER

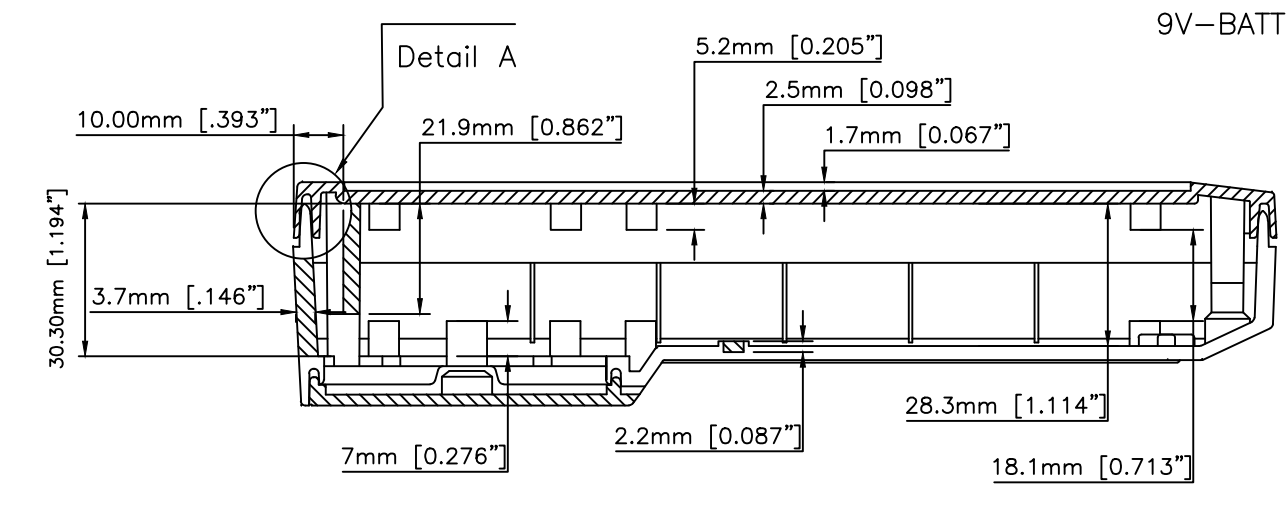
4-AA-BATTERY HOLDER



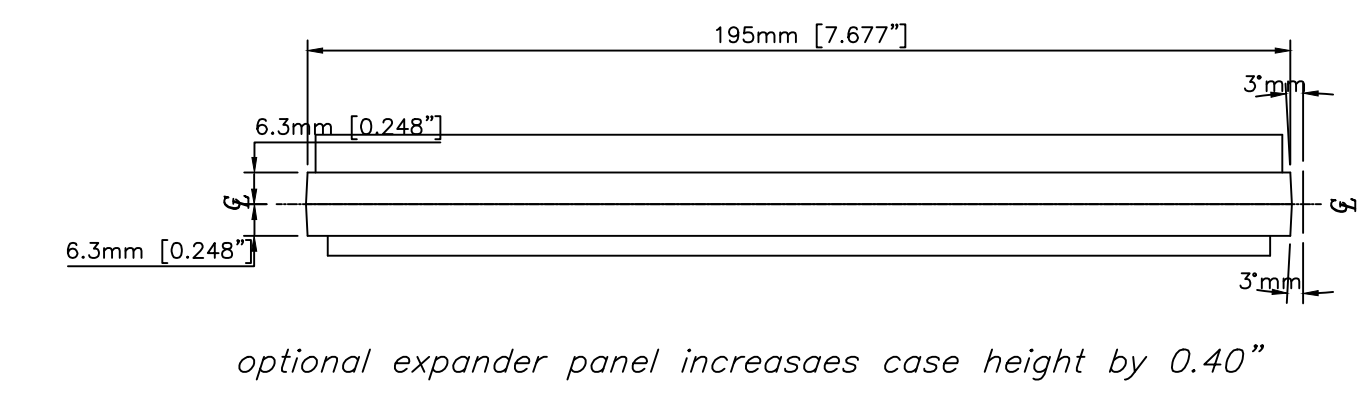
OPTIONAL BOOT



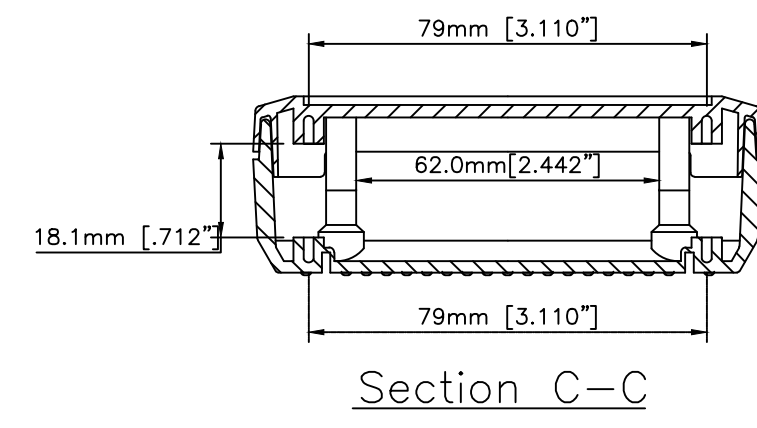
Side View



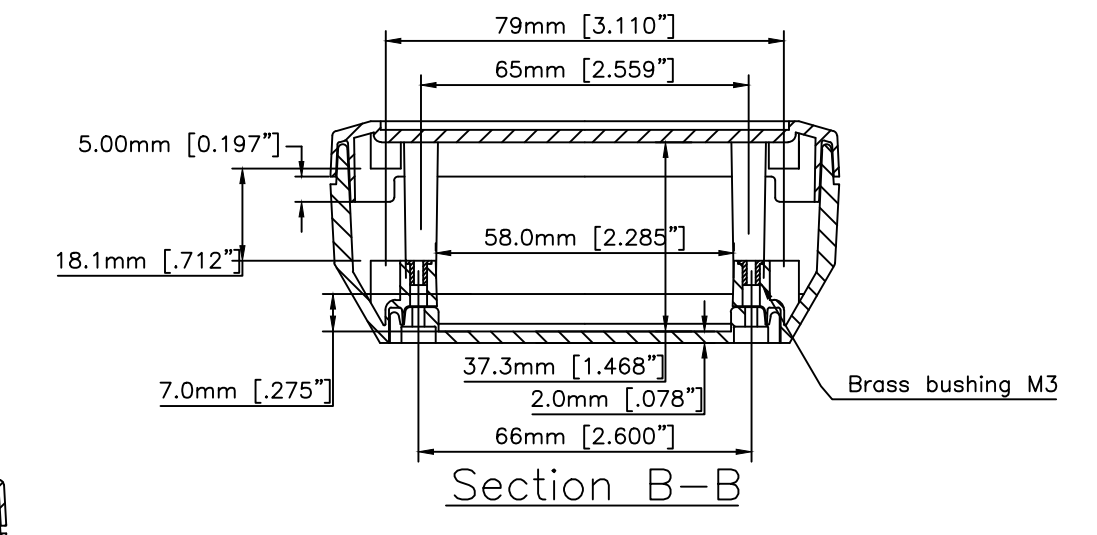
Section A-A



optional expander panel increases case height by 0.40"



Section C-C



Section B-B

Max PCB size: Base 90x126mm, Top 90x184mm (cutout of pillars not taken into consideration.)

* LCD Window Openings
 Version I None
 Version II 60x15mm, for standard LCD Modules with 2 Lines x16 Characters, Module Size 84x44mm
 Version III 62x13mm, for compact LCD Modules with 2 Lines x16 Characters, Module Size 80x35mm
 Version IV 60.2x24mm, for standard LCD Modules with 4 Lines x16 Characters, Module Size 87x60mm
 Version V Cut out for 4x20 LCD module, window size 2.87"x1.04"-72.8mmx26.3mm

THIS DRAWING IS THE PROPERTY OF AND MAY EMBODY PROPRIETARY INFORMATION OWNED BY Box Enclosures® IT IS PROVIDED UNDER A CONFIDENTIAL RELATIONSHIP FOR A SPECIFIC PURPOSE. THE RECIPIENT AGREES TO USE IT ONLY FOR SUCH PURPOSE AND RETURN IT TO Box Enclosures® UPON REQUEST.

BOX ENCLOSING ELECTRONICS ONE BOX AT A TIME ENCLOSURES & ASSEMBLY SERVICES			
Title MBM-Master			
DATE 1/23/2021	BOX Part # MBM	Drn. by R.F.K.	
SCALE 1:1-1/2	SHEET 1 of 1	SHEET SIZE ISO B1	REV 20.A