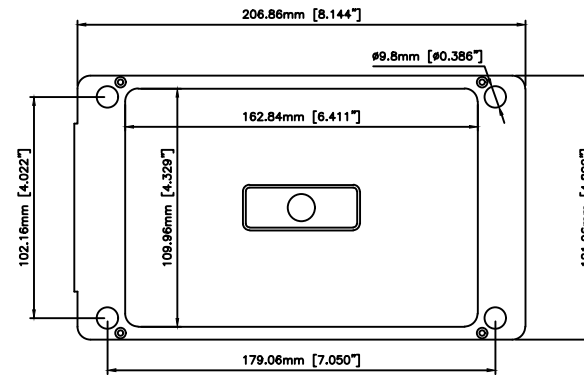
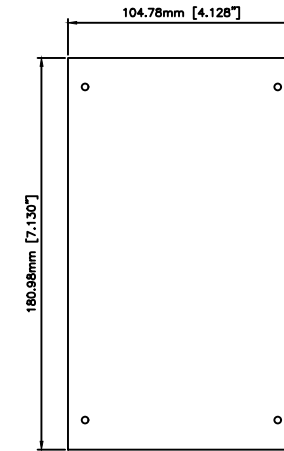


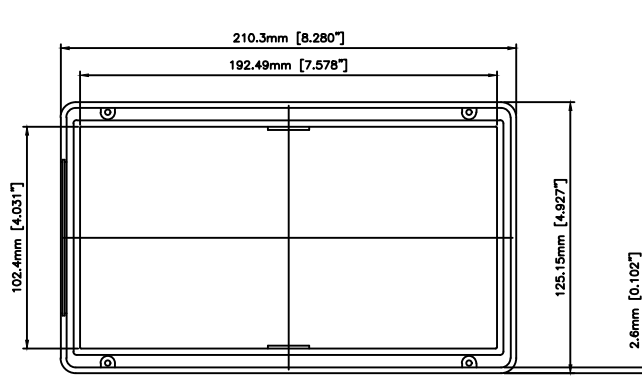
BOTTOM - INSIDE



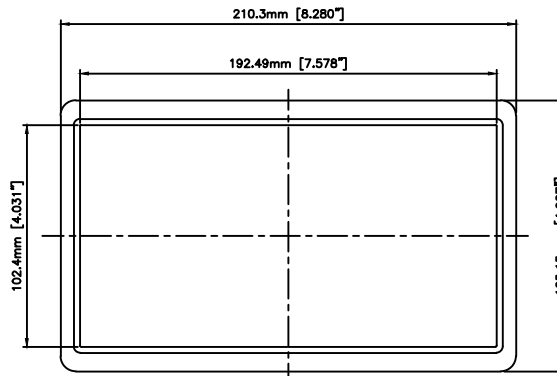
BOTTOM - OUTSIDE



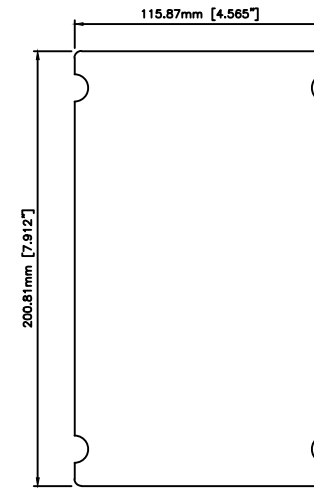
PCB



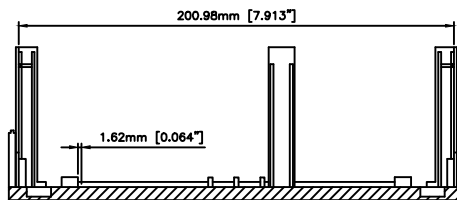
TOP - INSIDE



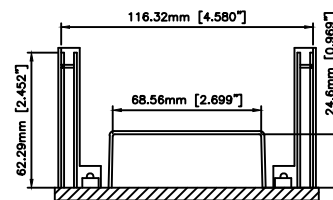
TOP - OUTSIDE



ALUMINUM PANEL



SECTION A-A



SECTION B-B



Title Eng. Drawing C size Master

DATE 1/25/2021 BOX # FTL-165 Drn. by R.F.K.

SCALE 1:1 SHEET 1 of 1 REV 19.A