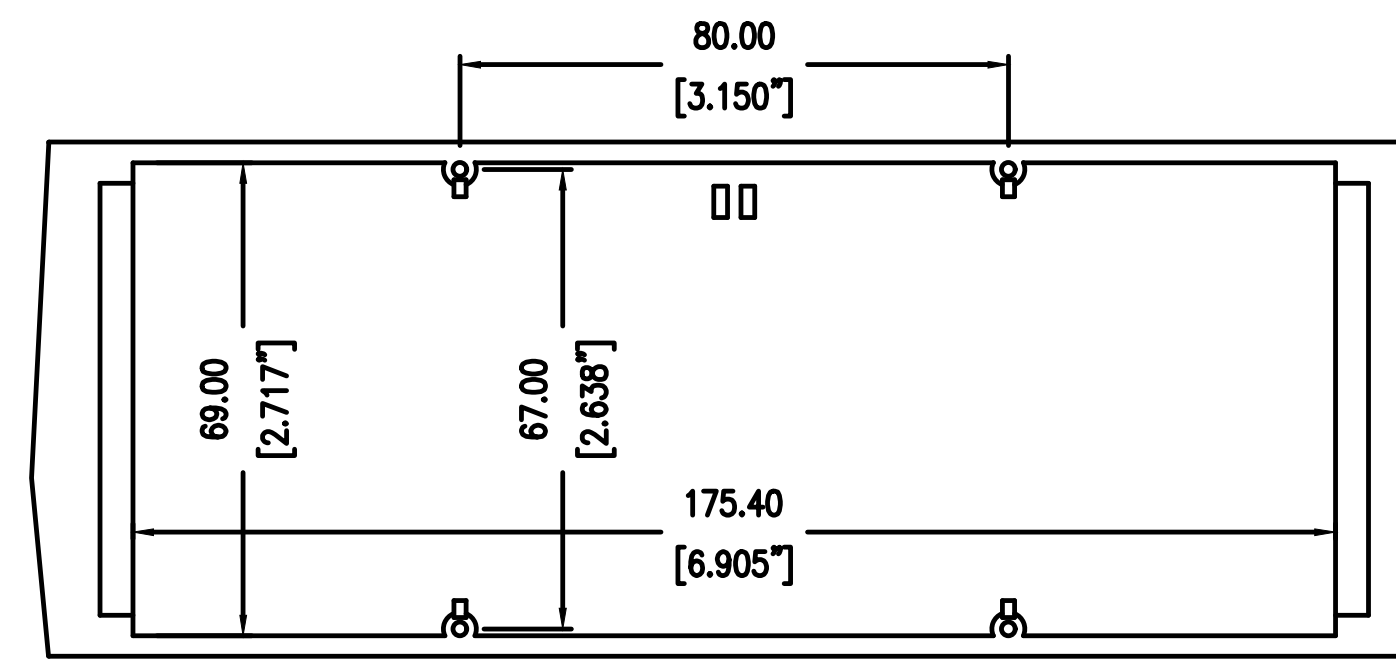
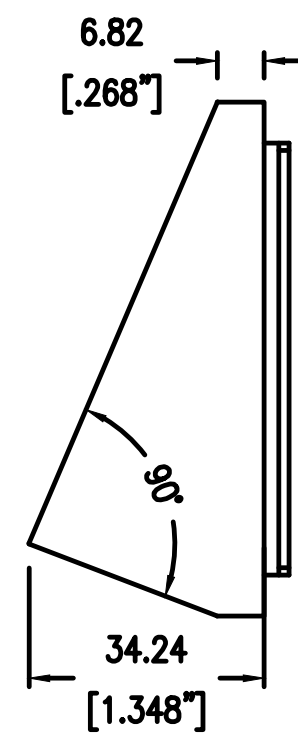
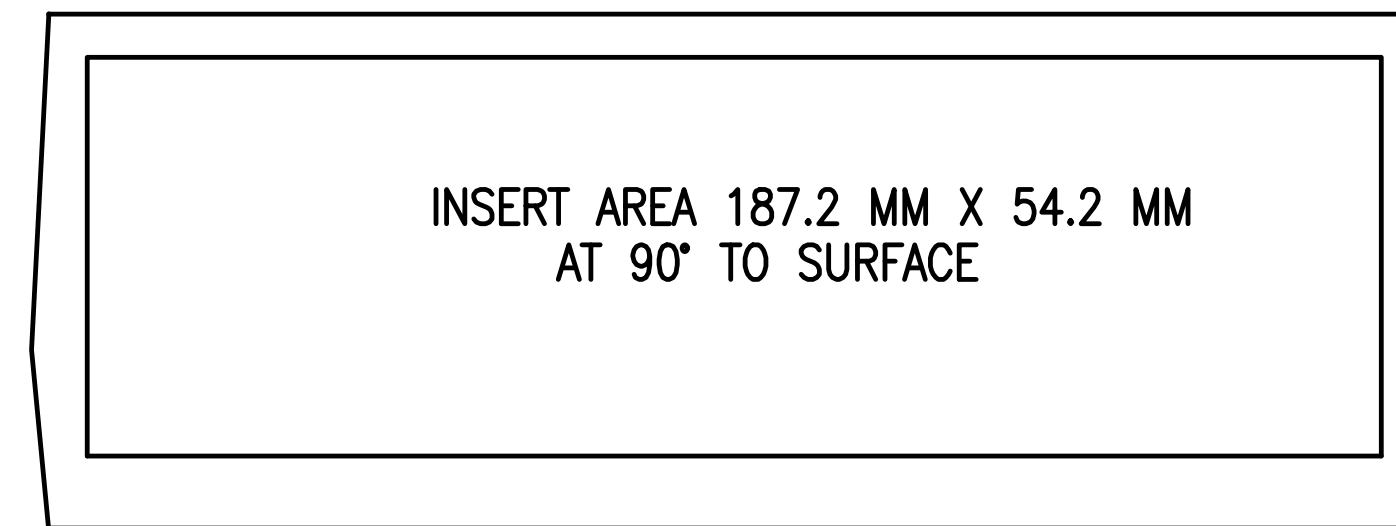


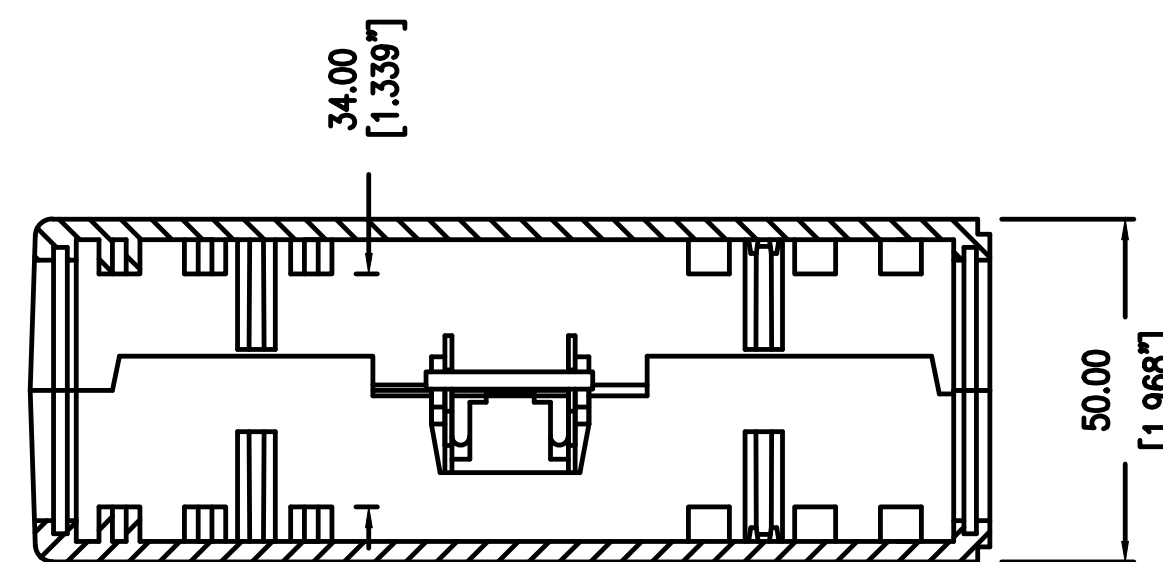
Cover Inside



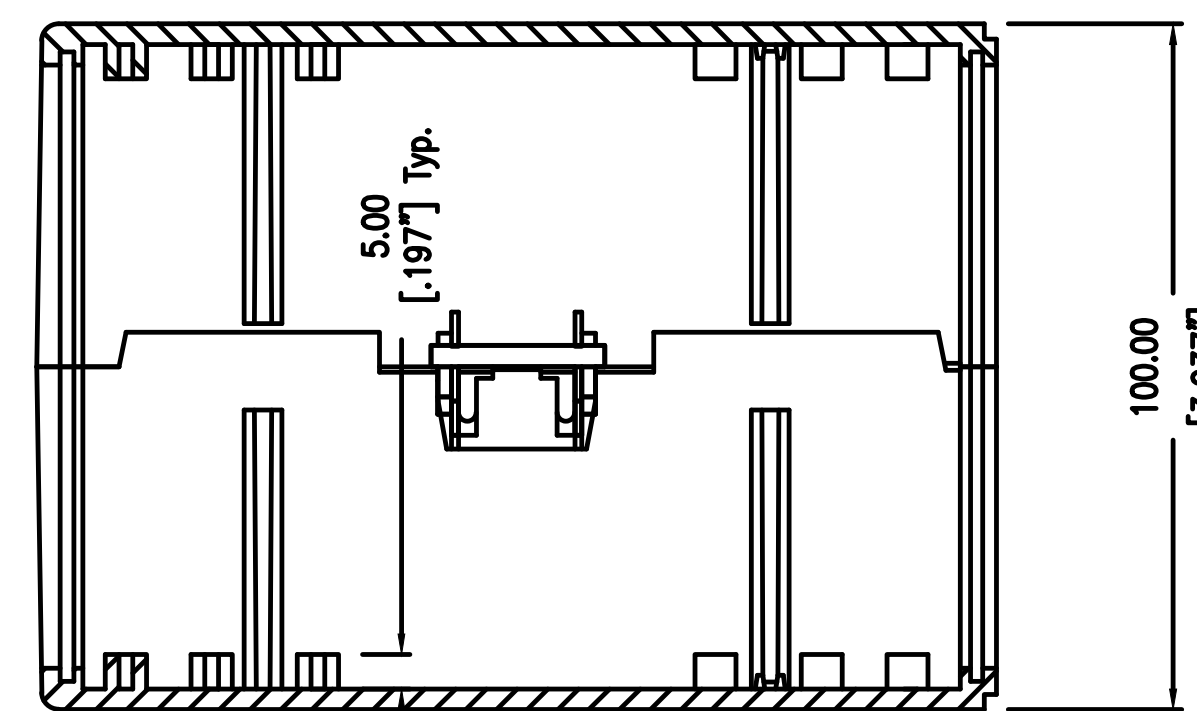
BACK VIEW



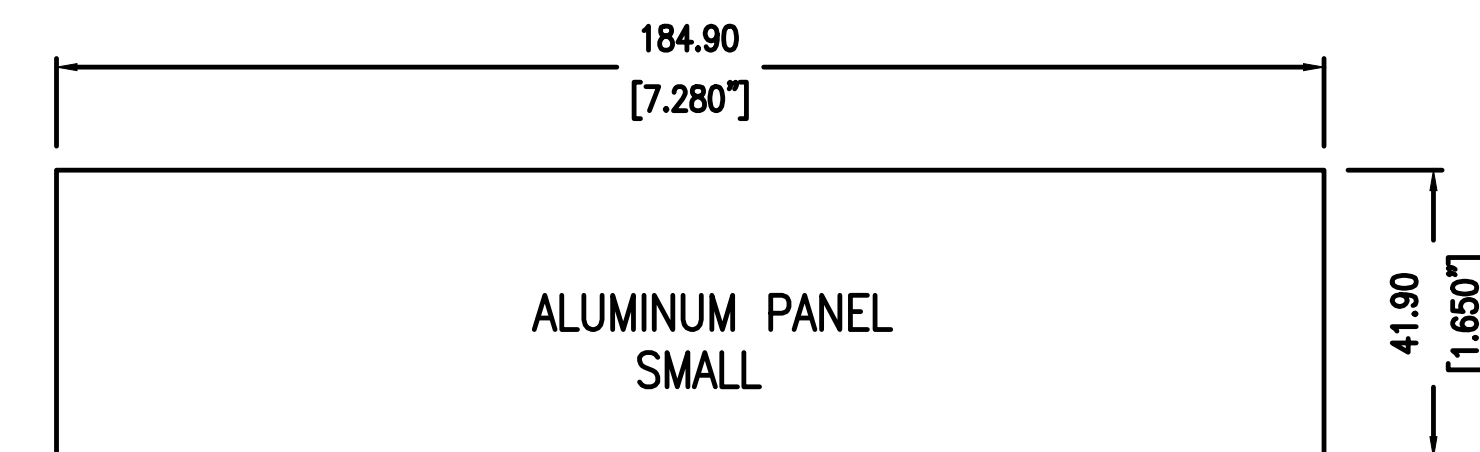
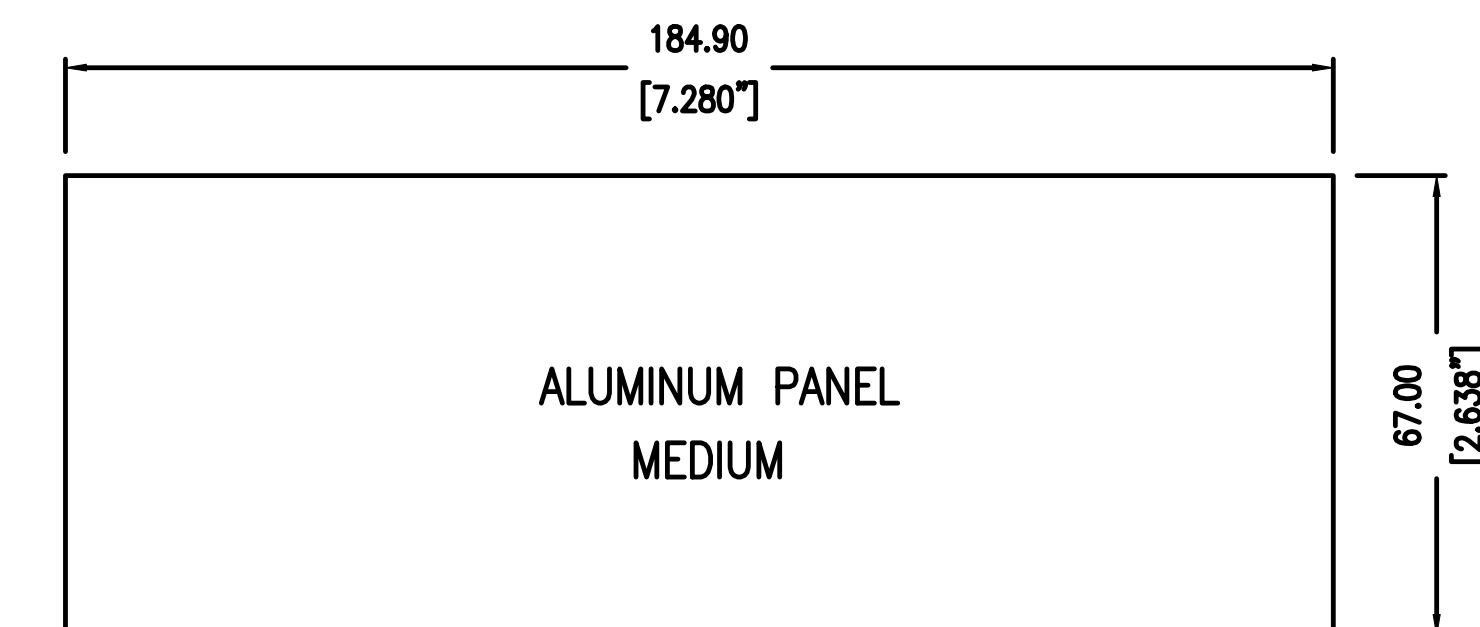
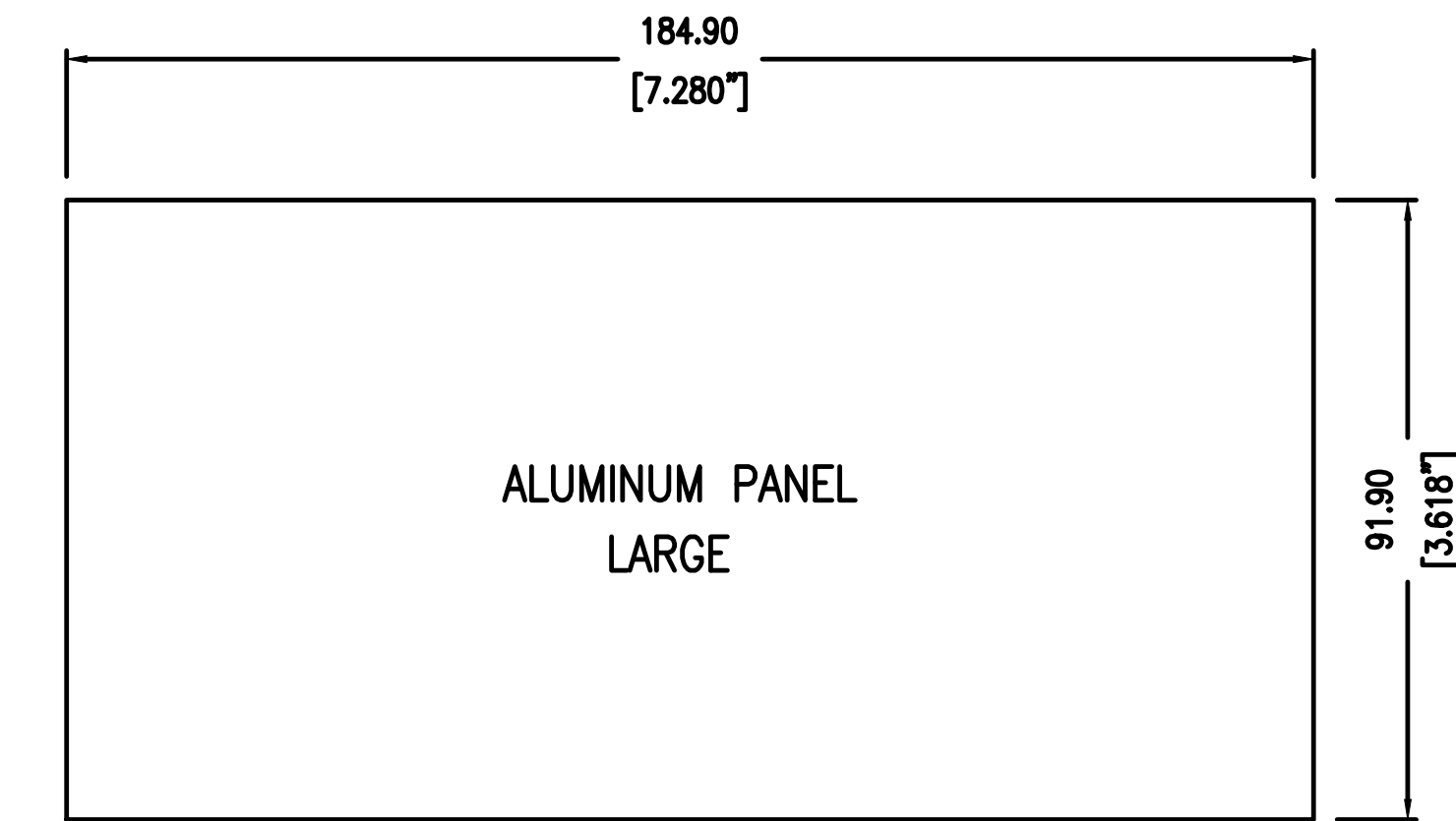
Sloped control panel (for use with WTM-127 case only)



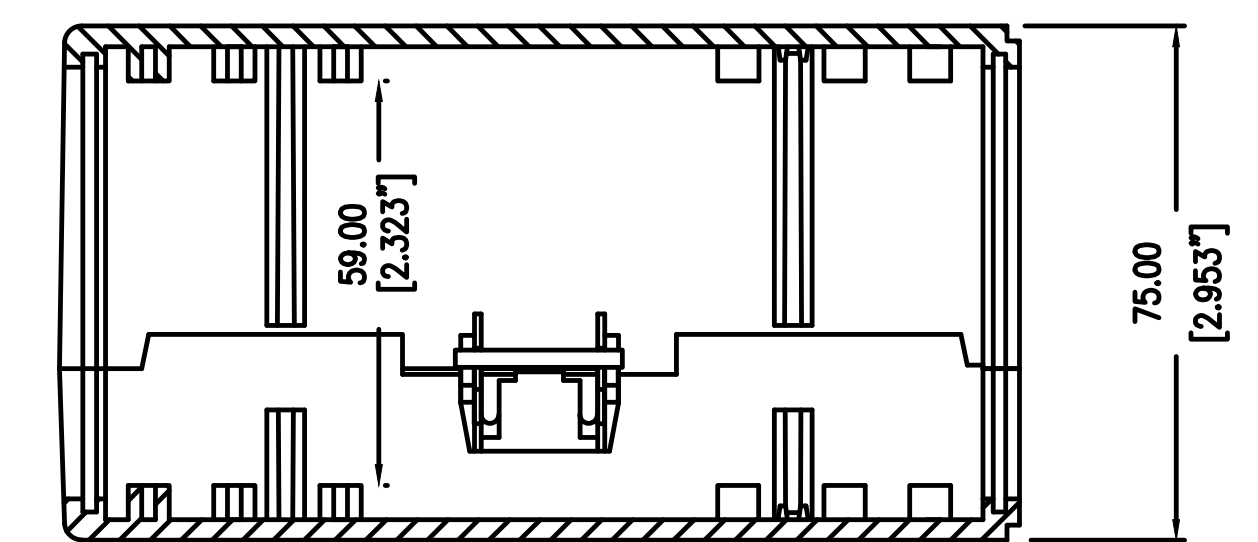
SMALL



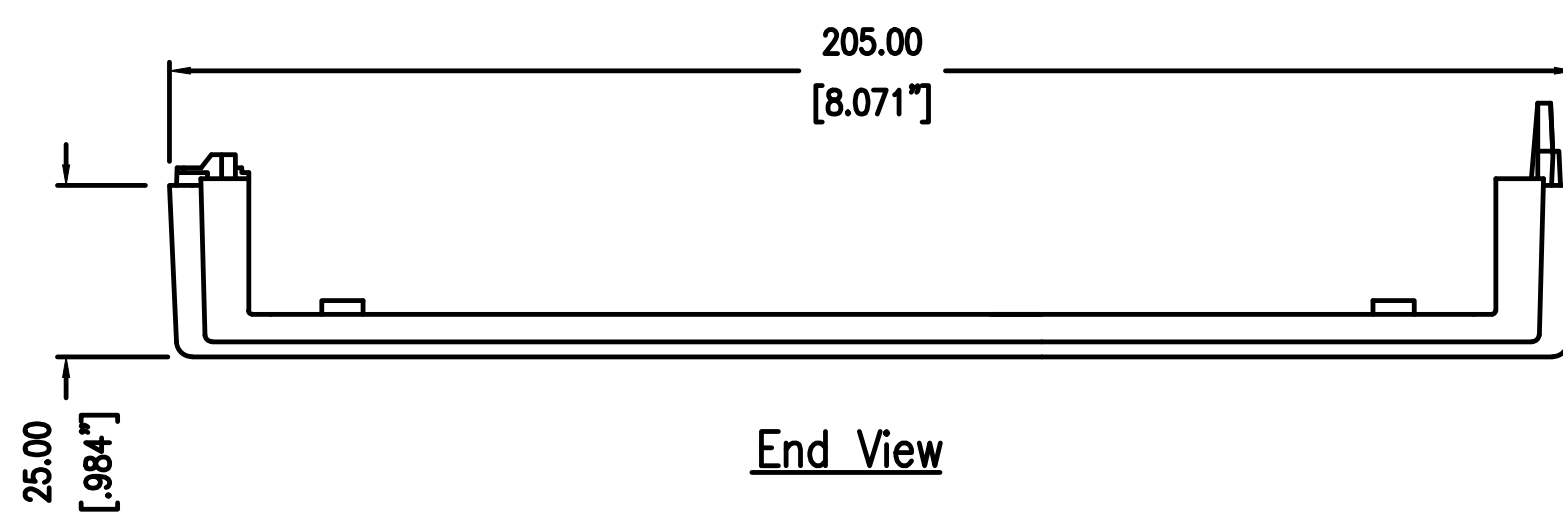
LARGE



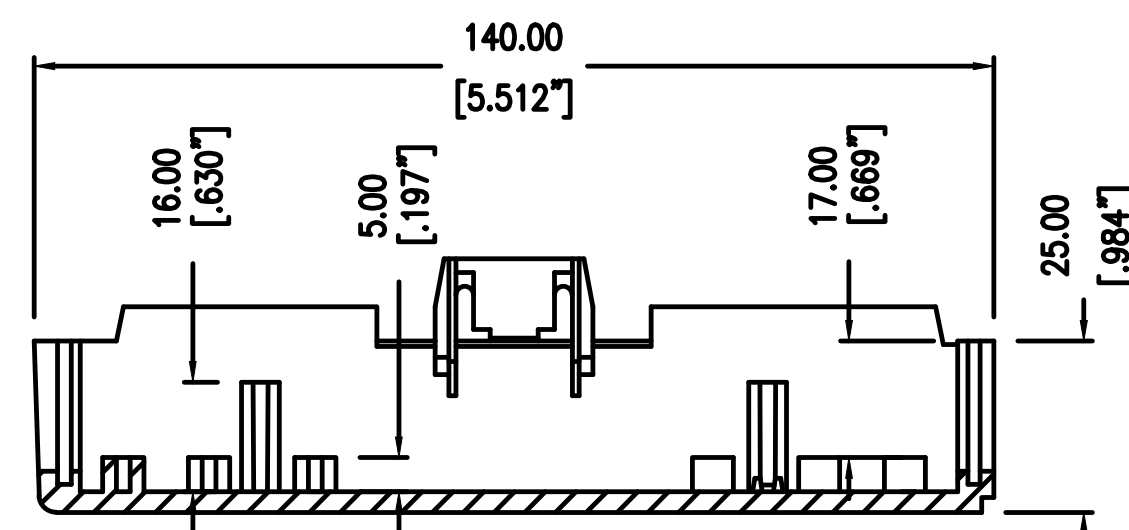
PANEL THICKNESS = 1.52MM (.060")



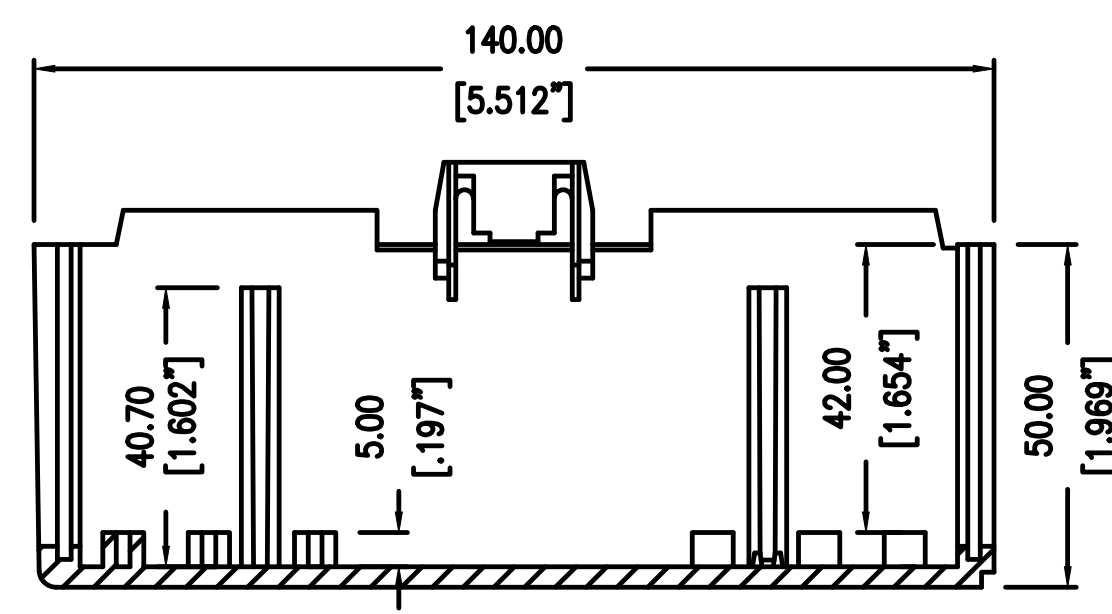
MEDIUM



End View



Section A-A Low Case



Section A-A High Case