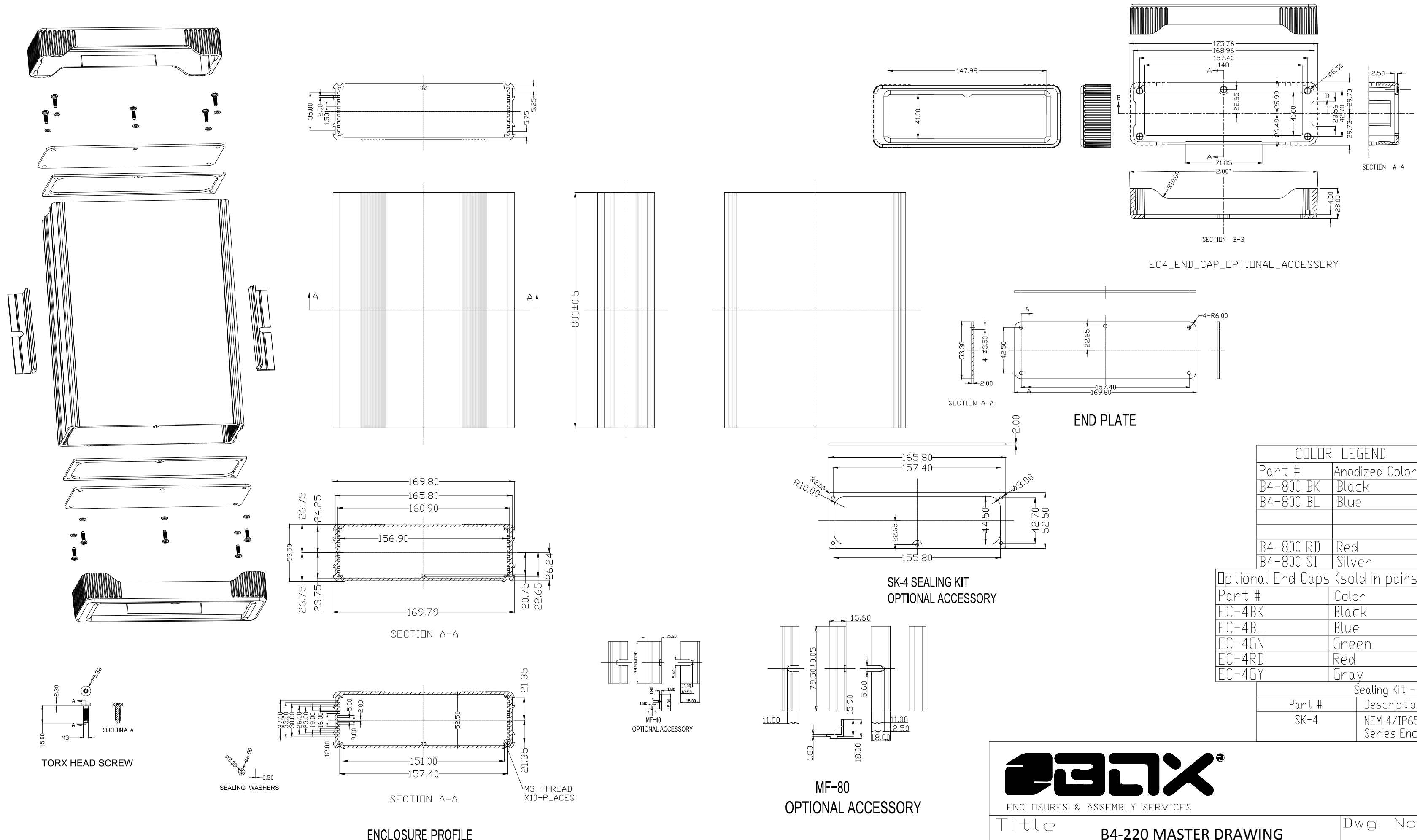


ENCLOSURES & ASSEMBLY SERVICES

BOX ENCLOSURES, INC
14092 W. Lambs Lane
Libertyville, IL 60048

TEL: 847-932-4700 WWW.BOXENCLOSURES.COM FAX: 847-932-4701



COLOR LEGEND		Mounting Flanges Optional Accessory (Sold individually)	
Part #	Anodized Color	40 mm Mounting Flange Part #	Color
B4-800 BK	Black	MF 40-BK	Black
B4-800 BL	Blue	MF 40-BL	Blue
		MF 40-GD	Gold
		MF 40-GR	Green
B4-800 RD	Red	MF 40-RD	Red
B4-800 SI	Silver	MF 40-SI	Silver
Optional End Caps (sold in pairs)		80 mm Mounting Flange Part #	
Part #	Color	MF 80-BK	Black
EC-4BK	Black	MF 80-BL	Blue
EC-4BL	Blue	MF 80-GD	Gold
EC-4GN	Green	MF 80-GR	Green
EC-4RD	Red	MF 80-RD	Red
EC-4GY	Gray	MF 80-SI	Silver
Sealing Kit - Optional Accessory			
Part #	Description		
SK-4	NEM 4/IP65 Sealing kit for ALL B-4 Series Enclosures		

		Revision: 6.1	
		Model:	
Title: B4-220 MASTER DRAWING		Dwg. No.:	Part No.:
Material: Aluminum 6063-T6(HE9)	TOLERANCE all dimension in mm unless otherwise specified.	Color:	Drn. Date Rudy 8/3/2018
Finish: Anodized BS 1615		Qty:	Chk. Date
Proj:	1-5 ±0.10 5-50 ±0.30 50-200 ±0.50 ANGLE ±0.5°	Sheet of	App. Date

THIS DRAWING IS THE PROPERTY OF AND MAY EMBODY PROPRIETARY INFORMATION OWNED BY Box Enclosures. IT IS PROVIDED UNDER A CONFIDENTIAL RELATIONSHIP FOR A SPECIFIC PURPOSE. THE RECIPIENT AGREES TO USE IT ONLY FOR SUCH PURPOSE AND RETURN IT TO Box Enclosure UPON REQUEST.