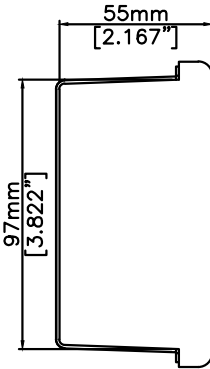
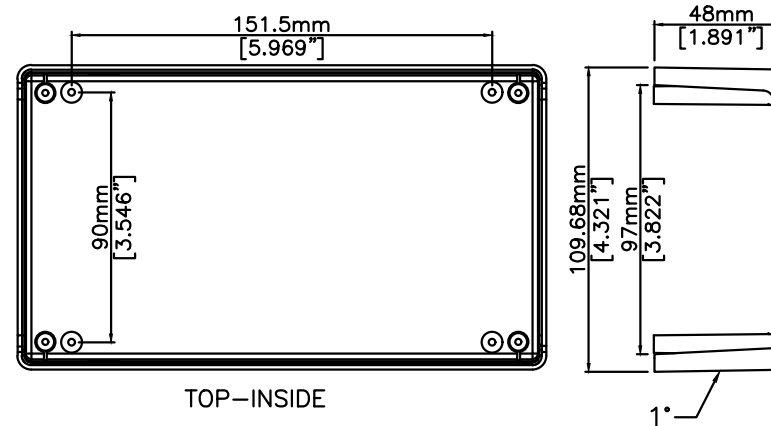


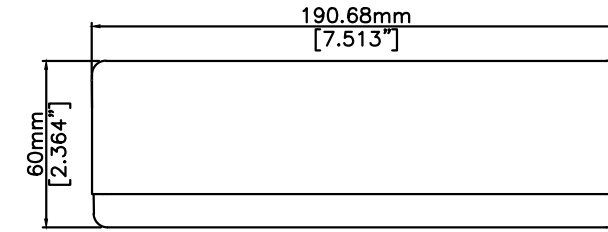
BOTTOM-INSIDE



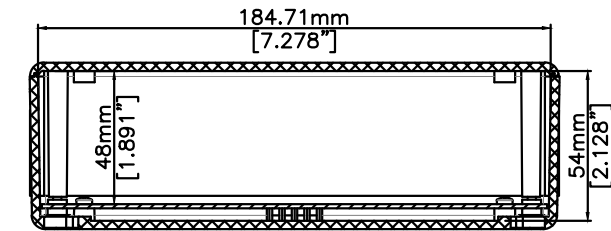
END VIEW



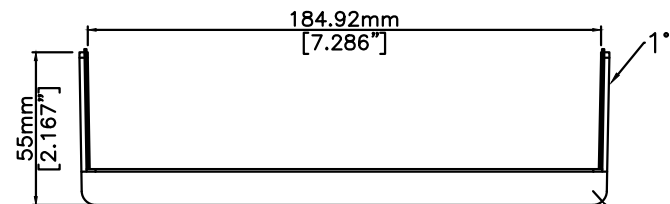
TOP-INSIDE



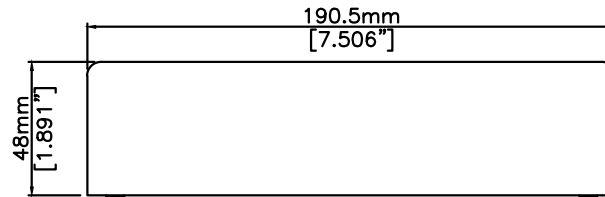
ASSEMBLY SIDE VIEW



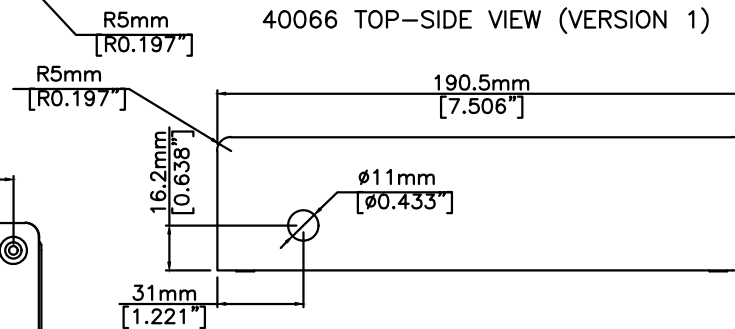
ASSEMBLY SIDE VIEW SECTION



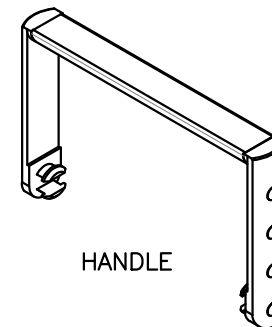
BOTTOM-SIDE VIEW



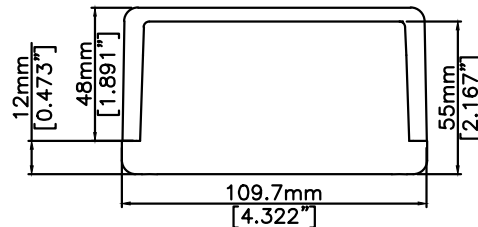
40066 TOP-SIDE VIEW (VERSION 1)



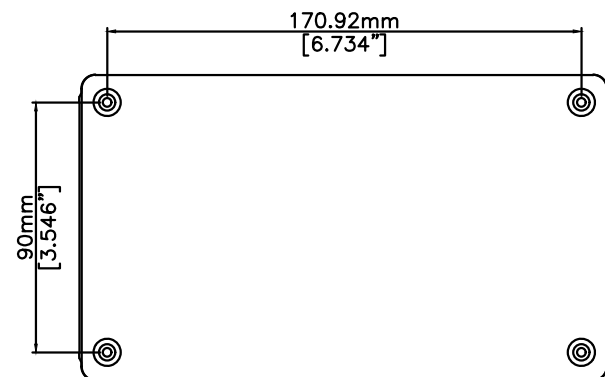
41066 TOP-SIDE VIEW (VERSION 2 WITH HANDLE)



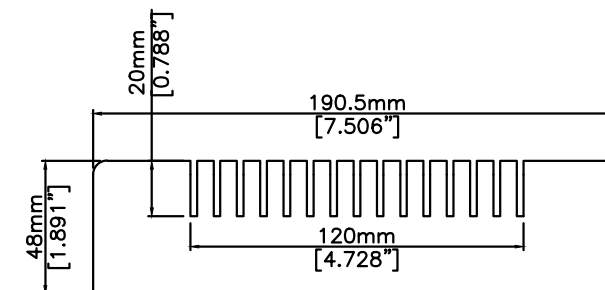
HANDLE



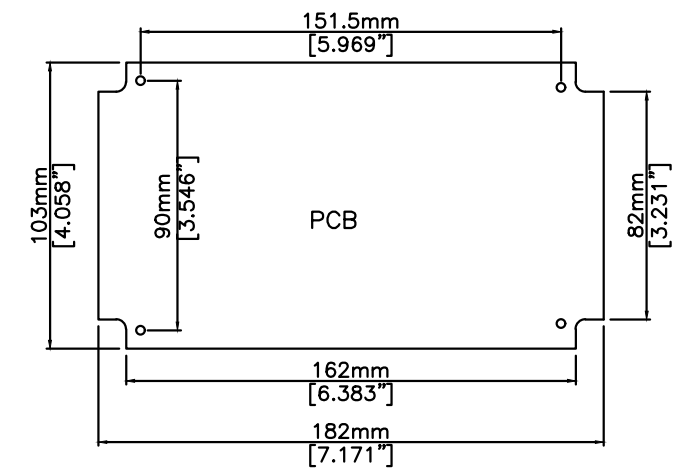
ASSEMBLY END VIEW



BOTTOM-OUTSIDE



40288 TOP-SIDE VIEW (VERSION 3 WITH VENTS)



PCB