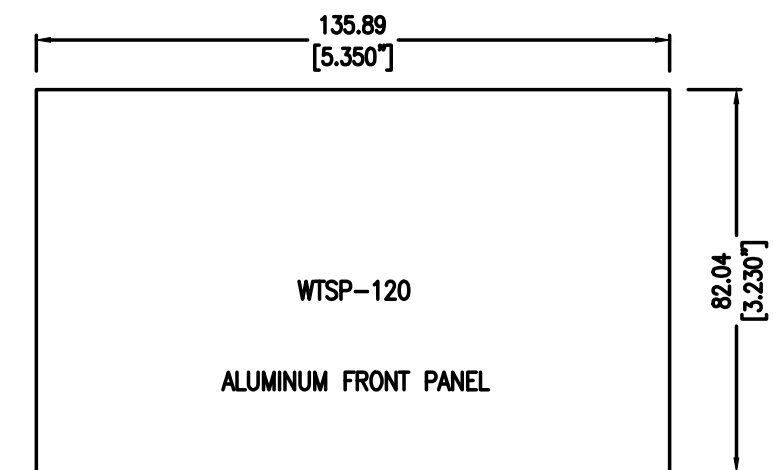
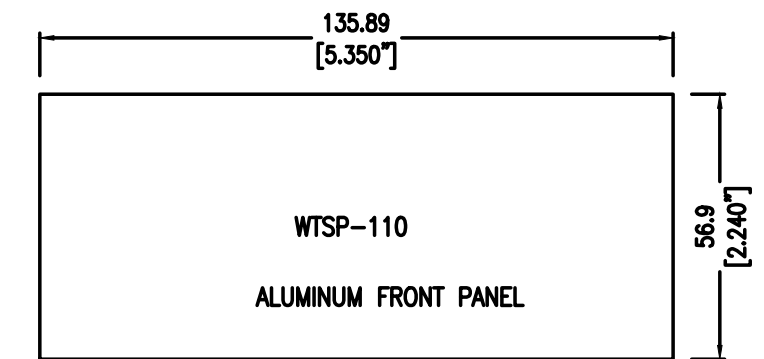
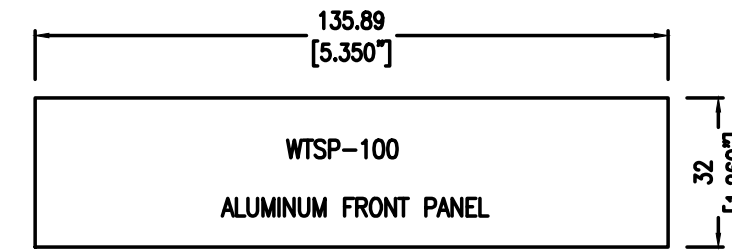
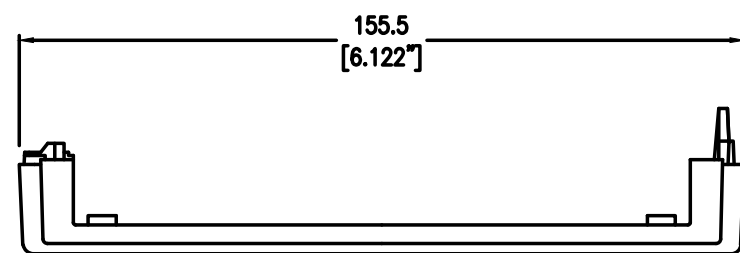


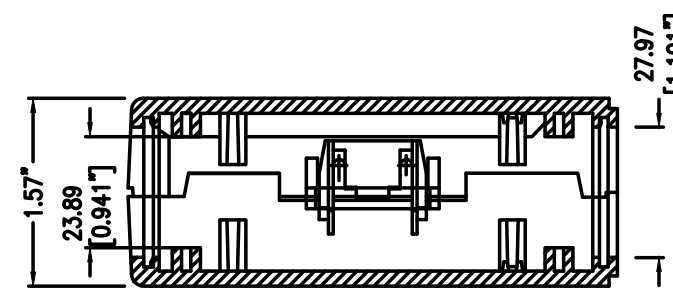
SLOPING CONTROL PANEL
(FOR USE WITH WTS-127 CASE ONLY)



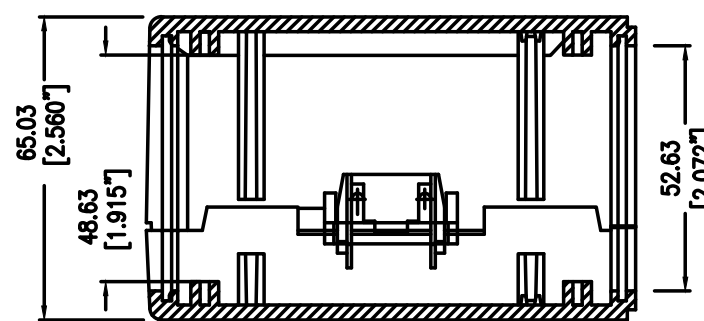
PANEL THICKNESS = 1.52MM (.060")



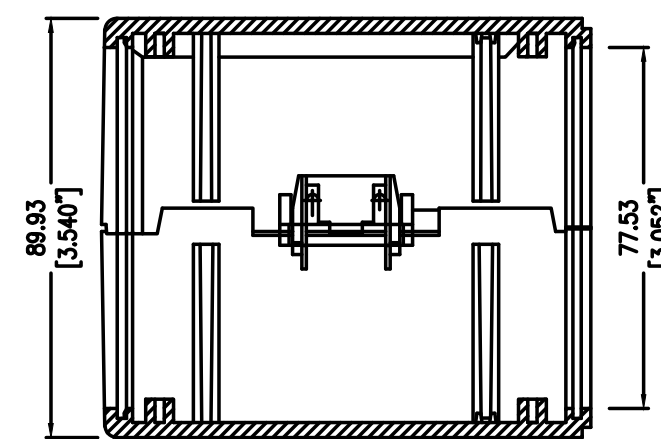
END VIEW



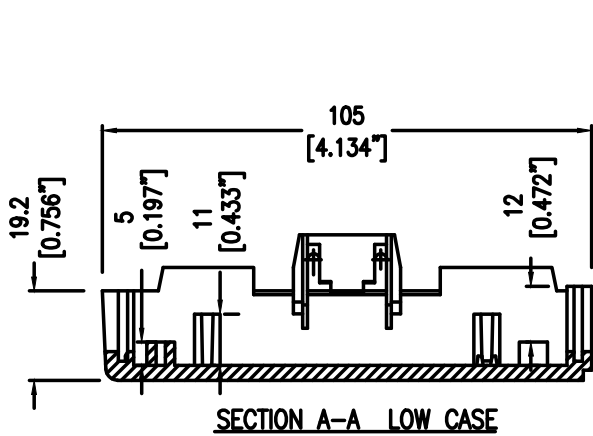
SHORT/SHORT



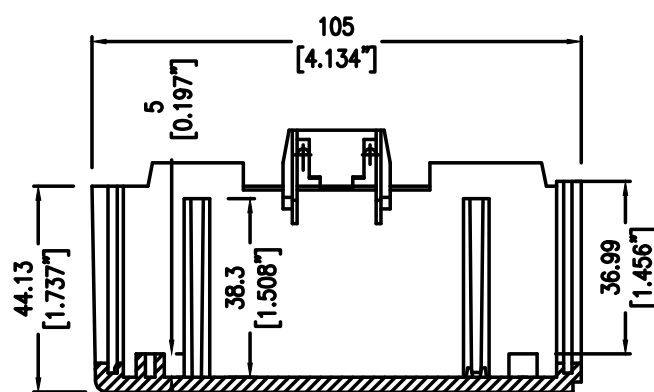
SHORT/HIGH



HIGH/HIGH



SECTION A-A LOW CASE



SECTION A-A HIGH CASE