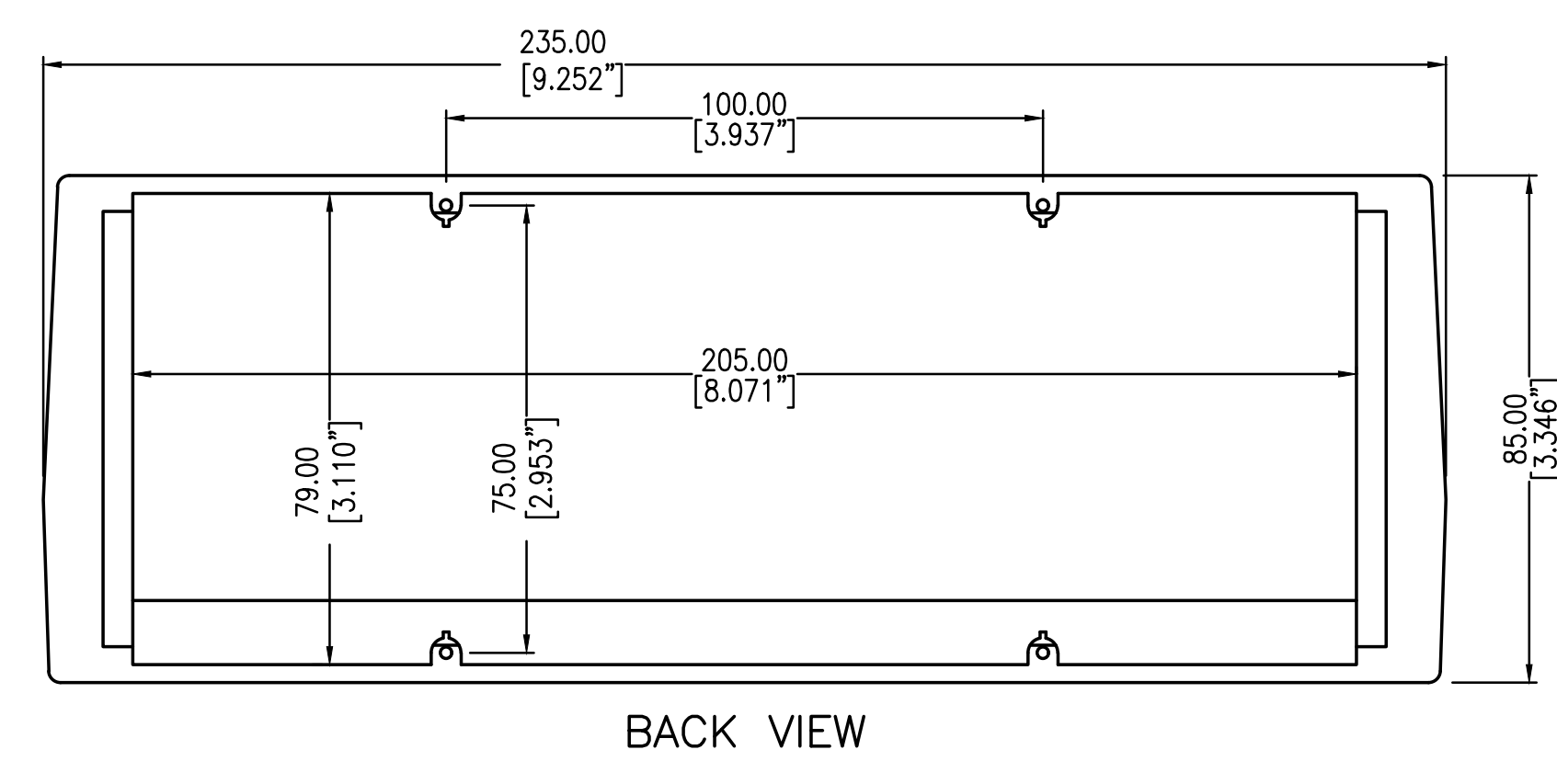
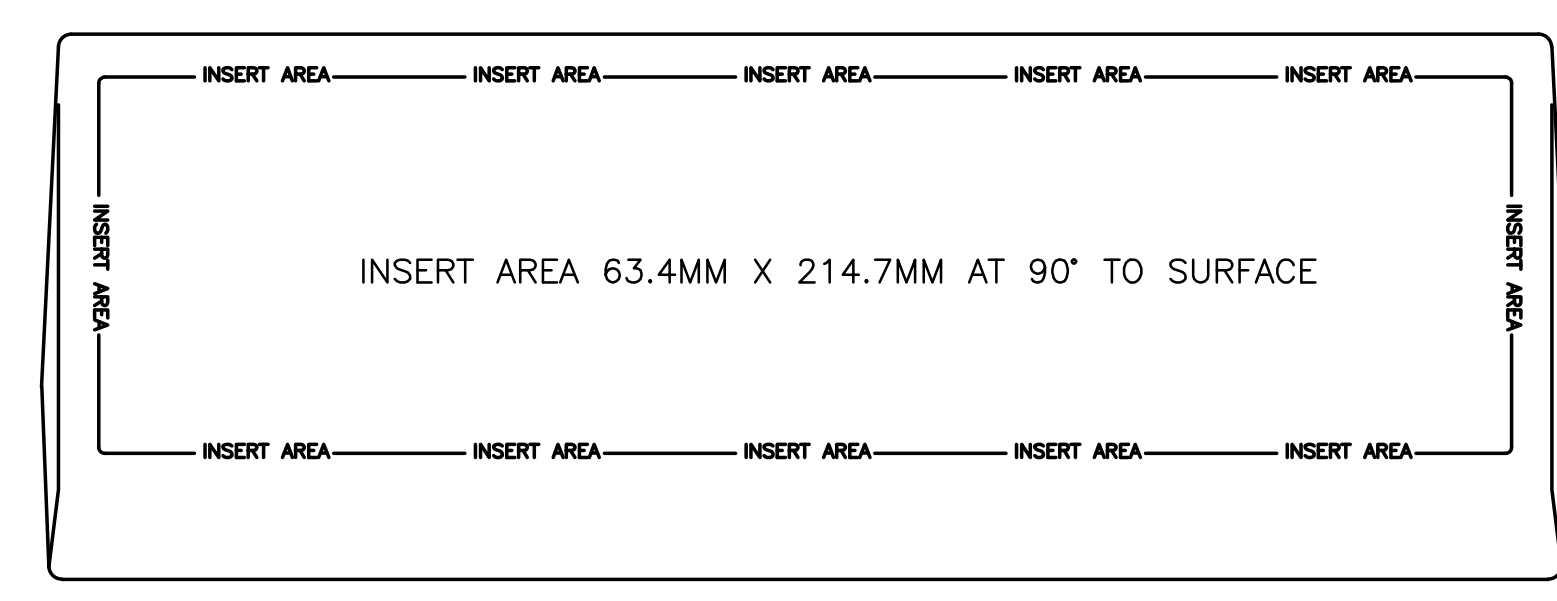
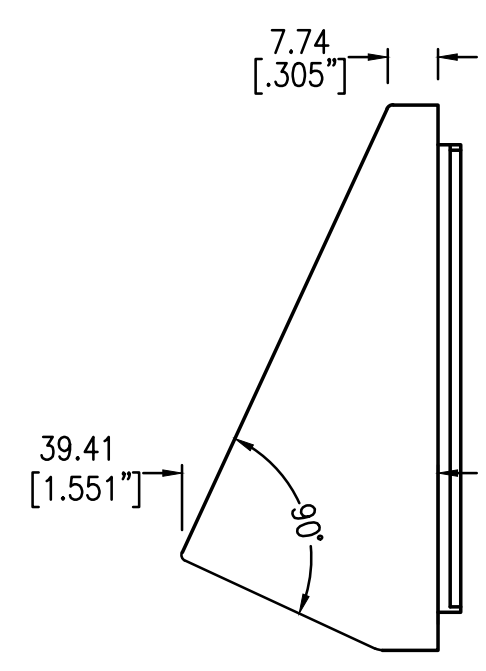
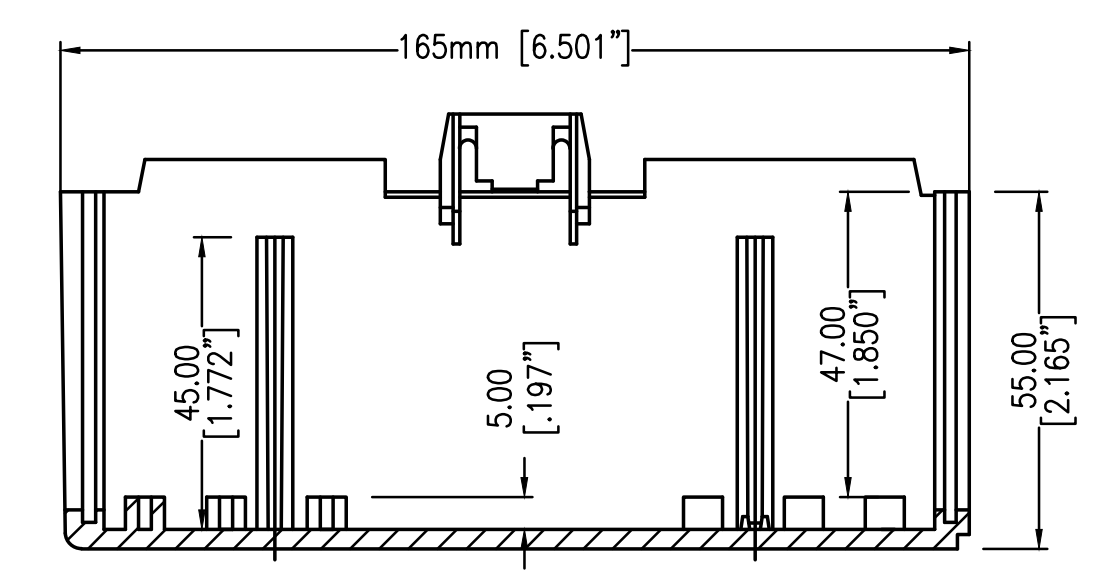
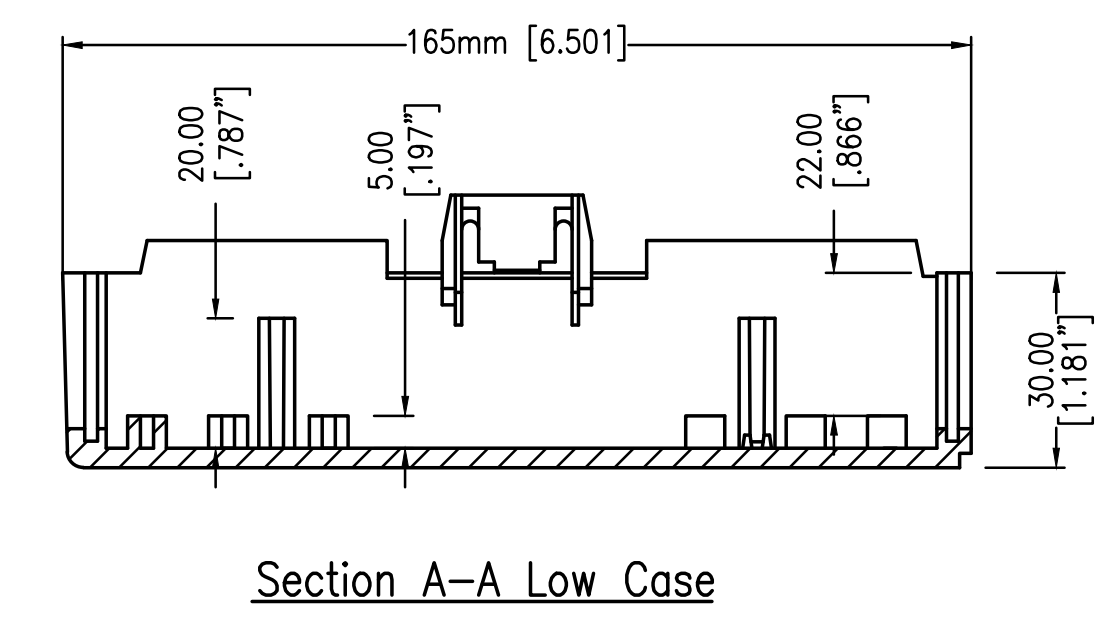
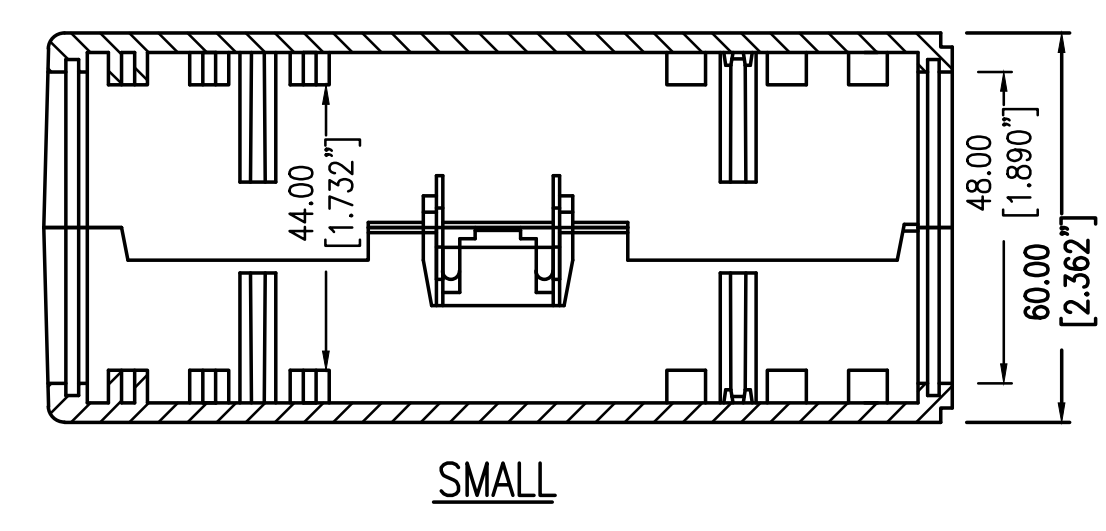
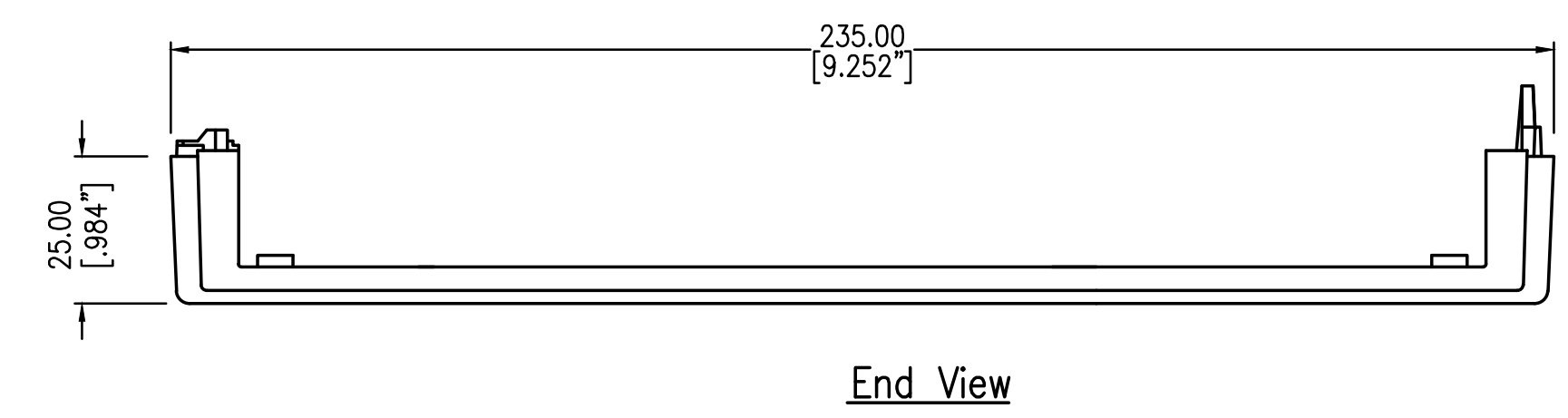


PANEL THICKNESS = 1.52MM (.060")



THIS DRAWING IS THE PROPERTY OF AND MAY EMBODY PROPRIETARY INFORMATION OWNED BY Box Enclosures® IT IS PROVIDED UNDER A CONFIDENTIAL RELATIONSHIP FOR A SPECIFIC PURPOSE. THE RECIPIENT AGREES TO USE IT ONLY FOR SUCH PURPOSE AND RETURN IT TO Box Enclosures® UPON REQUEST.

Title Eng. Drawing D size Master			
DATE 4/30/2020	BOX # WTL-Master	Drn. by R.F.K.	
SCALE 1:1	SHEET 1 of 1	UNITS mm (inches)	REV 20