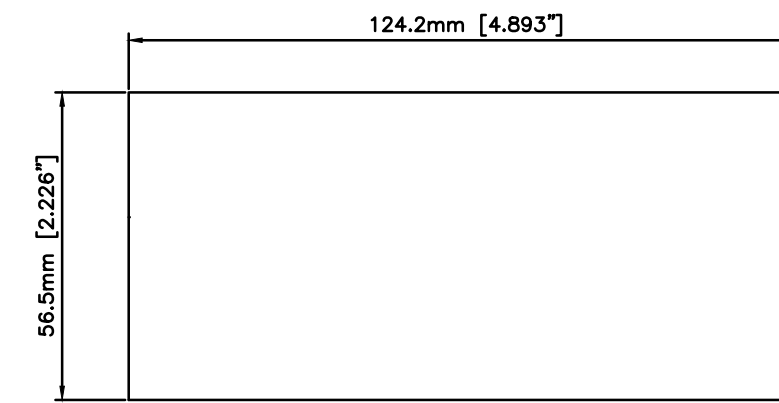
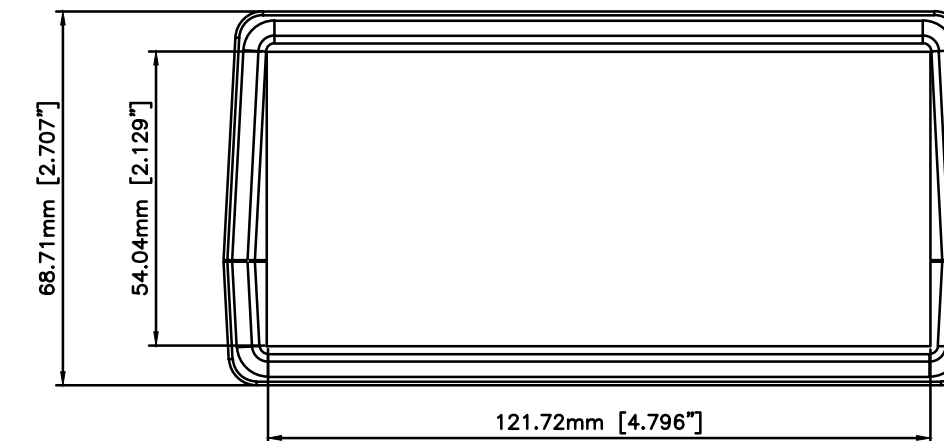


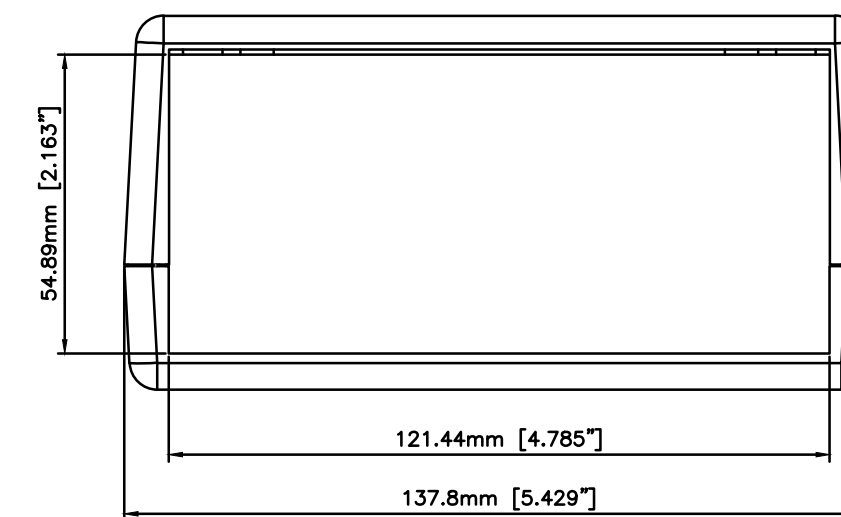
Bottom-Inside



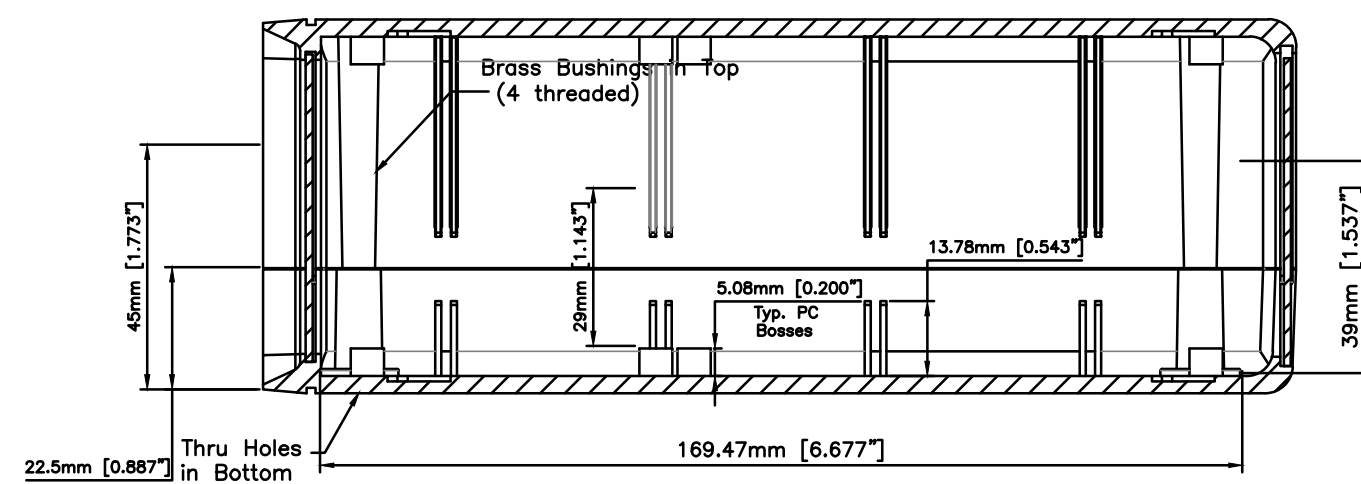
Aluminum Panel



Front End View



Back End View



Side View

Top and bottom identical except for case assembly bushings in top (threaded) and thru assembly holes in bottom.

Maximum PCB size: 120x175mm  
(Cutouts for pillars not taken into consideration)

THIS DRAWING IS THE PROPERTY OF AND MAY EMBODY PROPRIETARY INFORMATION OWNED BY Box Enclosures® IT IS PROVIDED UNDER A CONFIDENTIAL RELATIONSHIP FOR A SPECIFIC PURPOSE. THE RECIPIENT AGREES TO USE IT ONLY FOR SUCH PURPOSE AND RETURN IT TO Box Enclosures® UPON REQUEST.