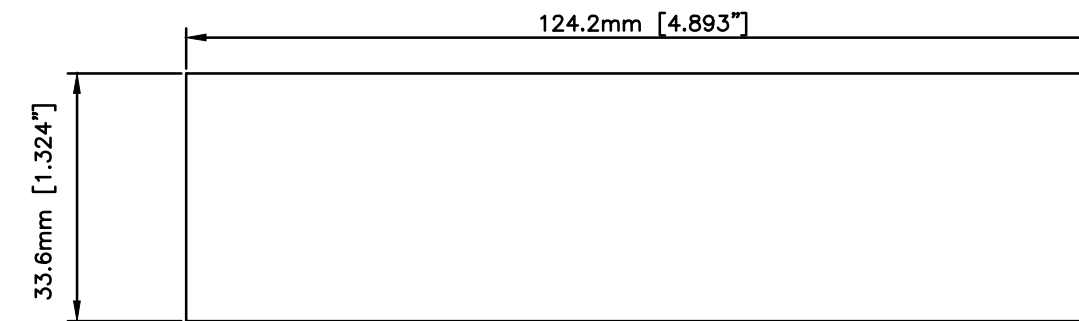
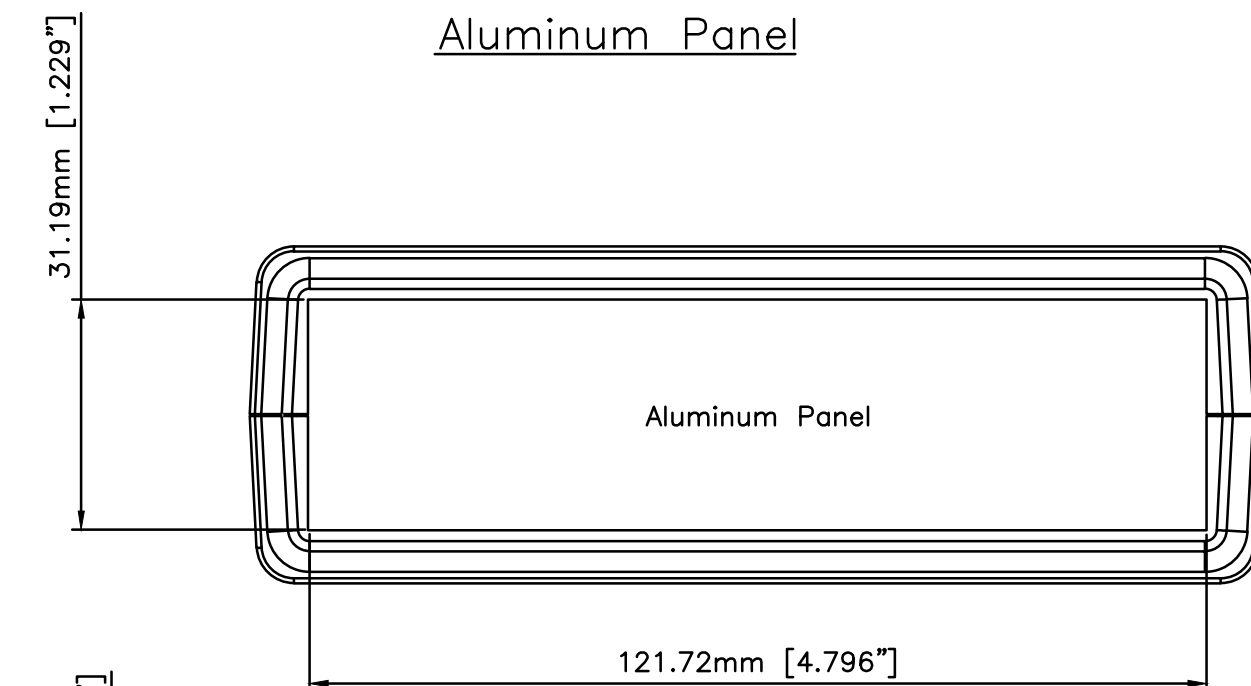


Top and bottom identical except for case assembly bushings in top (threaded) and thru assembly holes in bottom.

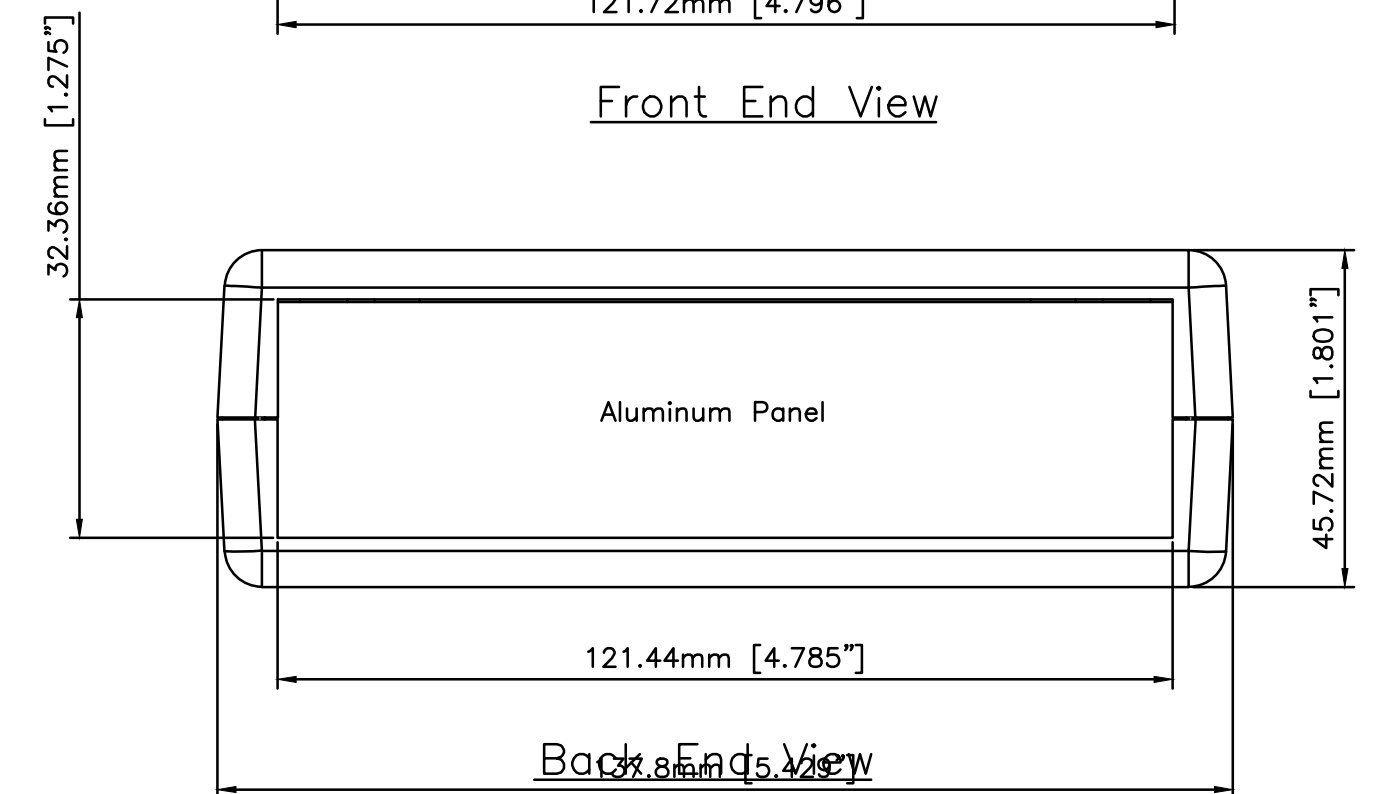
Maximum PCB size: 120x175mm
(Cutouts for pillars not taken into consideration)



Aluminum Panel



Front End View



Back End View