



ENCLOSING ELECTRONICS ONE BOX AT A TIME

ENCLOSURES & ASSEMBLY SERVICES

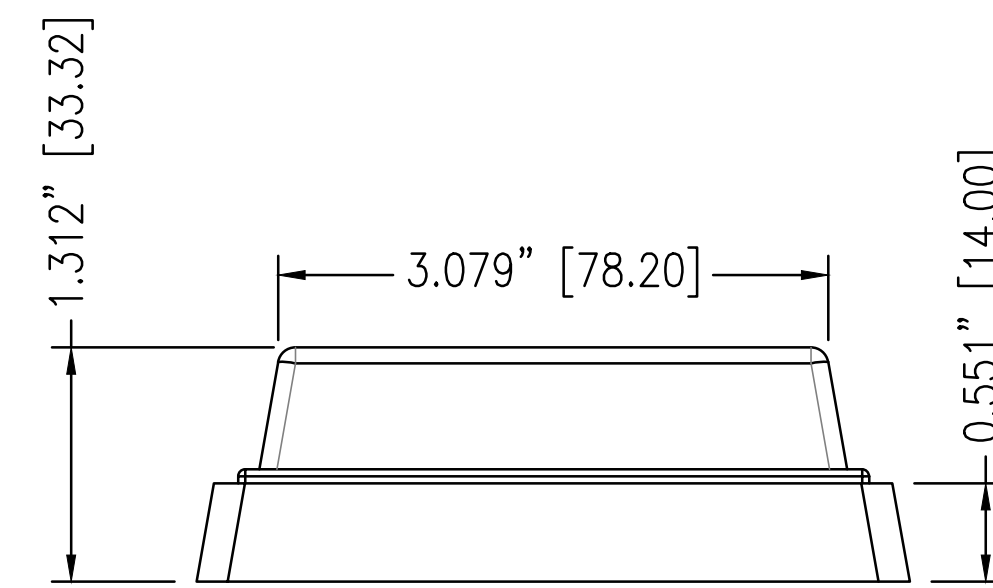
BOX ENCLOSURES, INC

14092 W. Lambs Lane
Libertyville, IL 60048

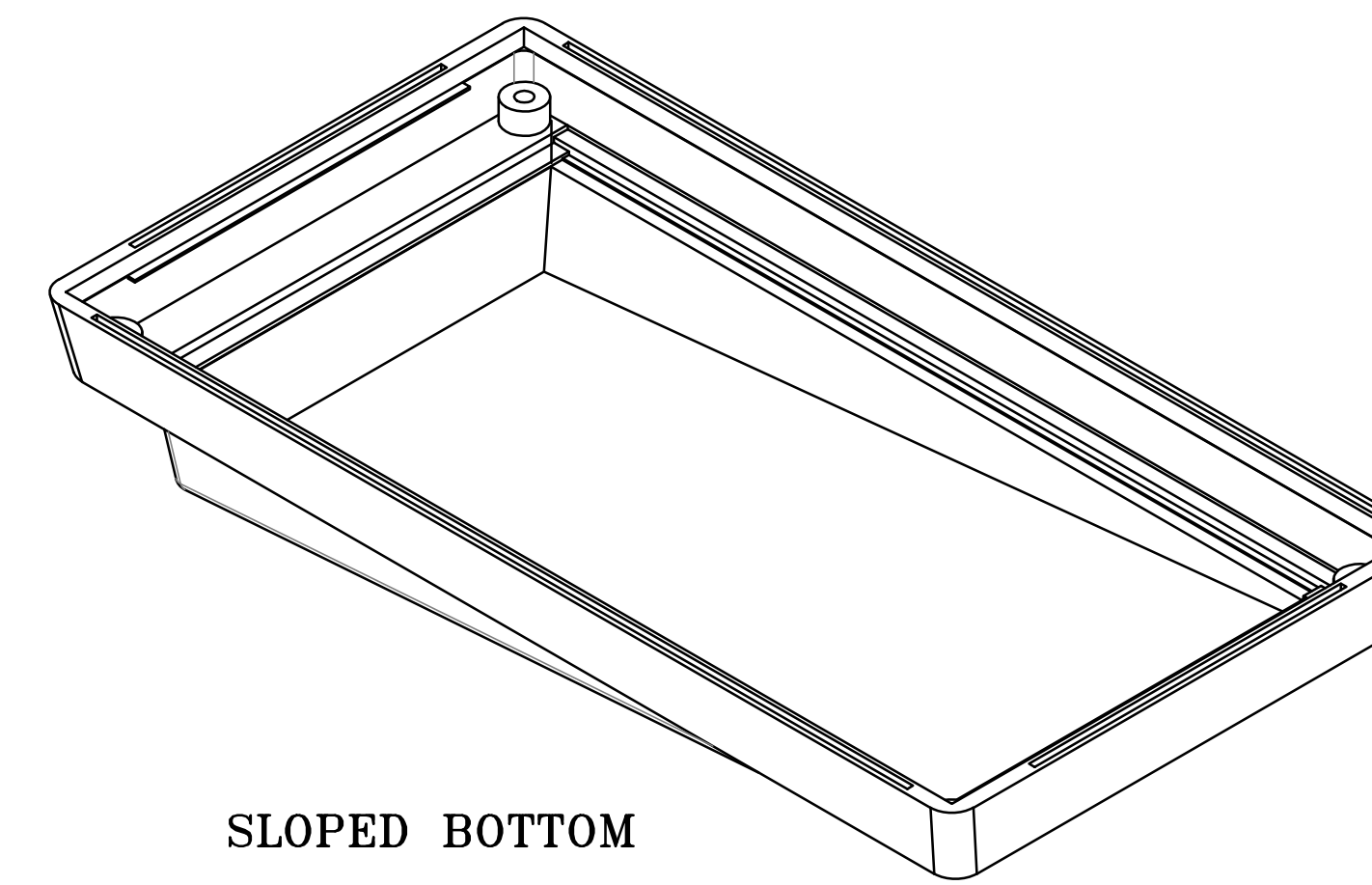
TEL: 847-932-4700

www.boxenclosures.com

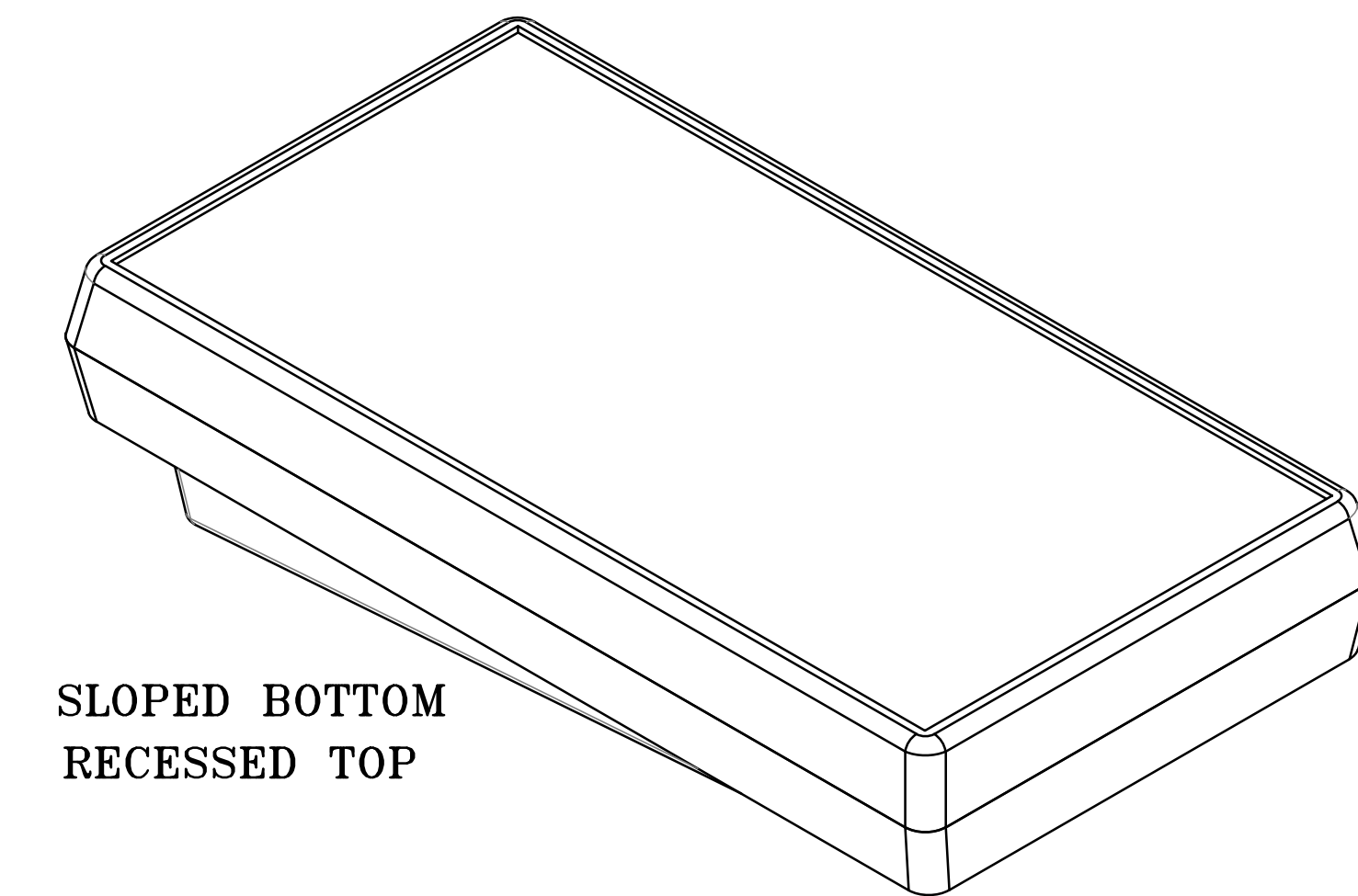
FAX: 847-932-4701



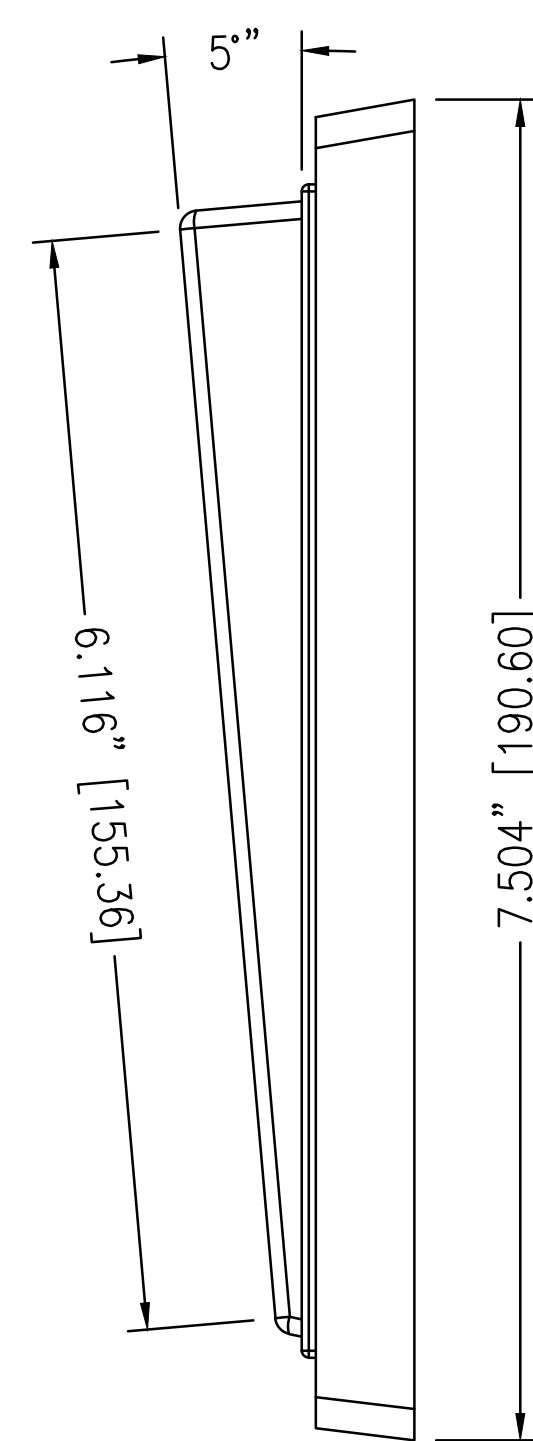
END VIEW



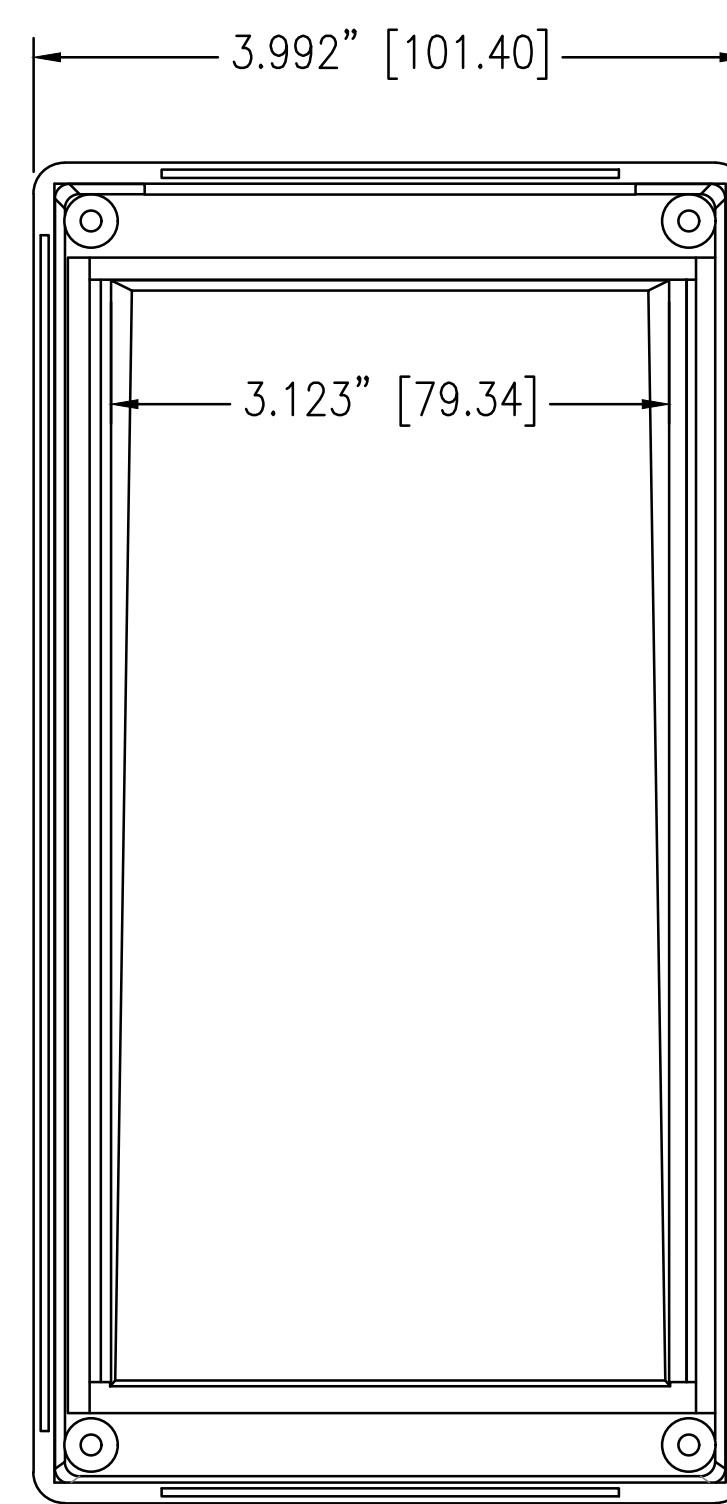
SLOPED BOTTOM



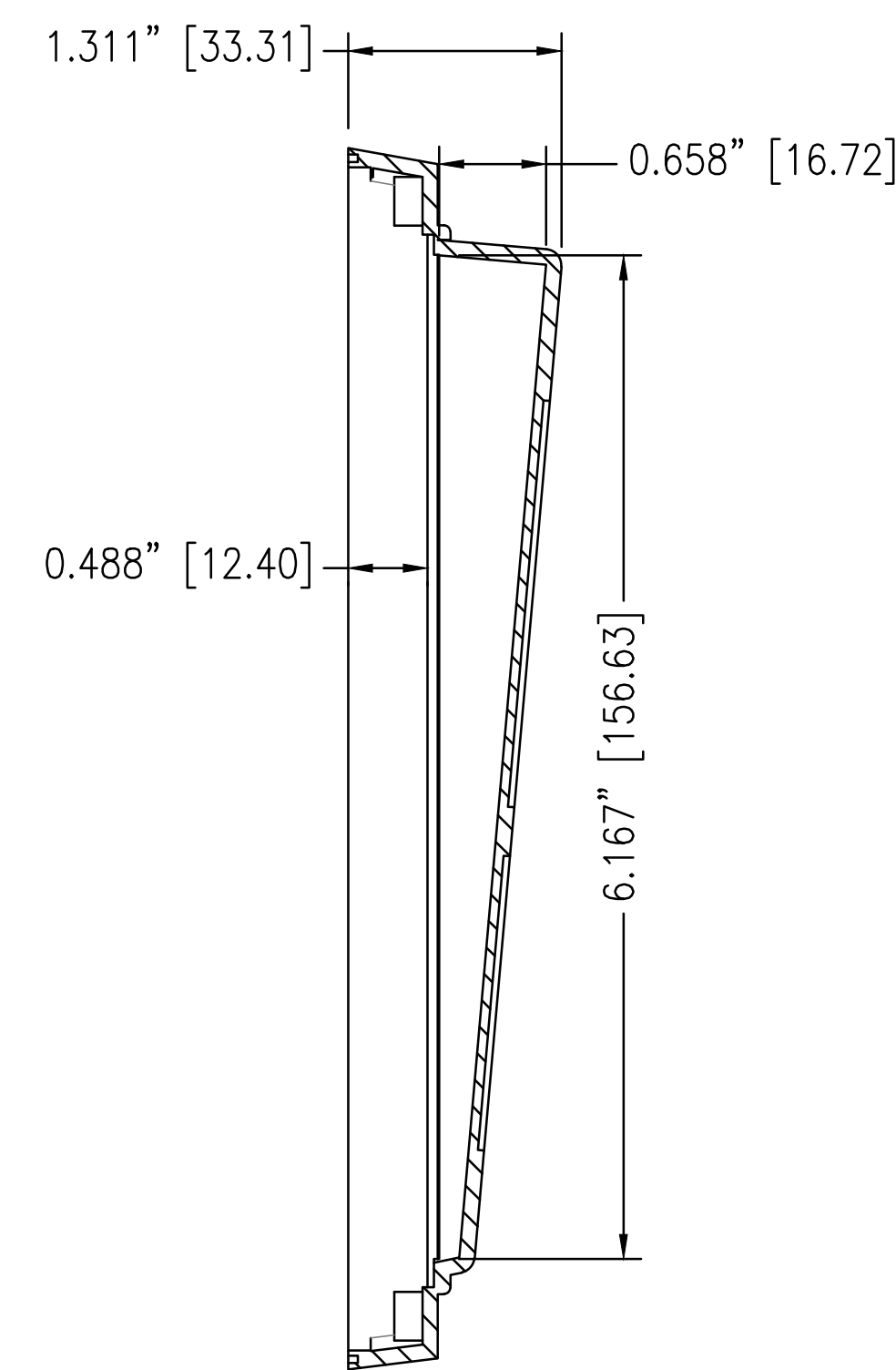
SLOPED BOTTOM
RECESSED TOP



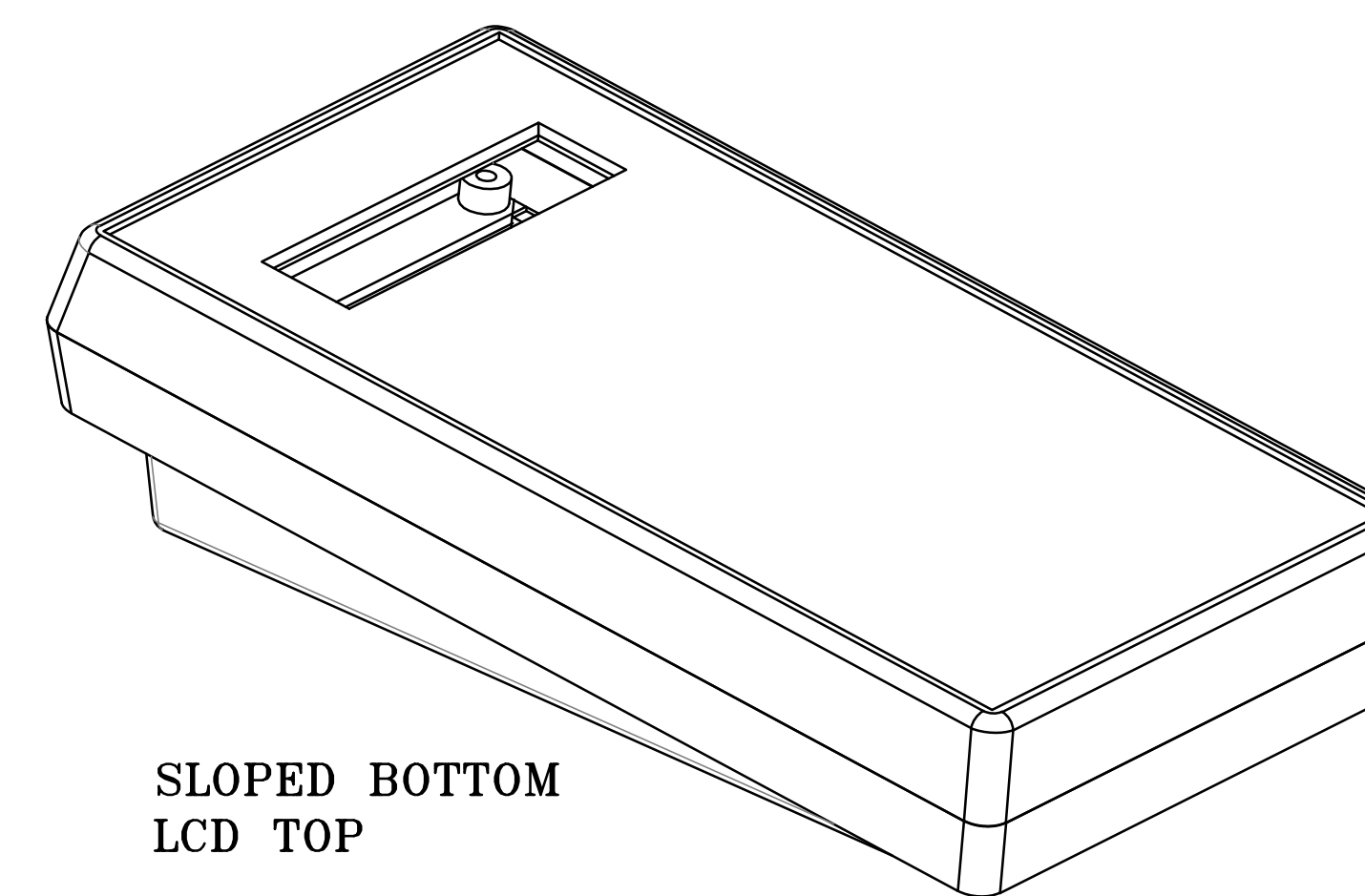
SIDE VIEW



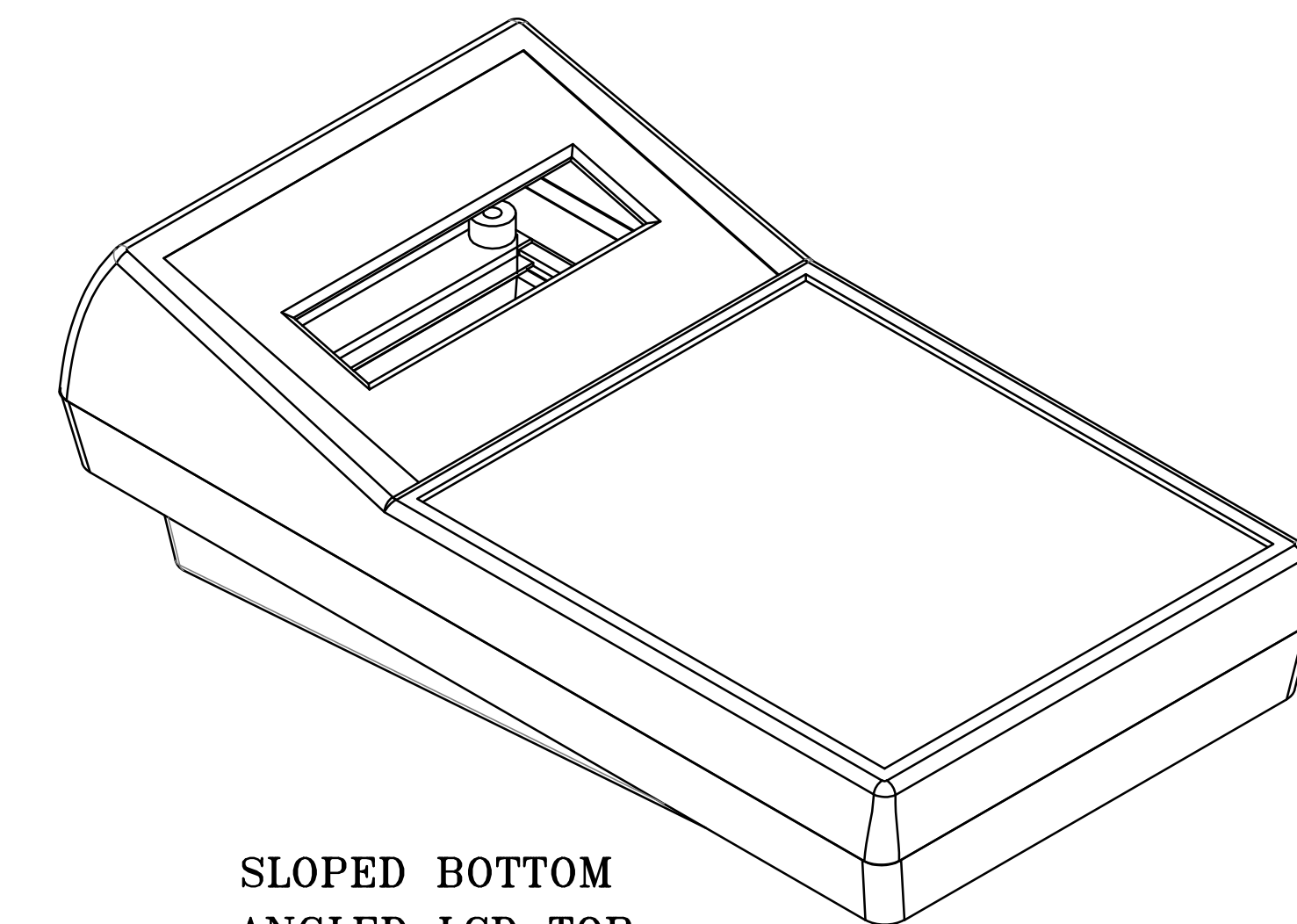
BOTTOM INSIDE



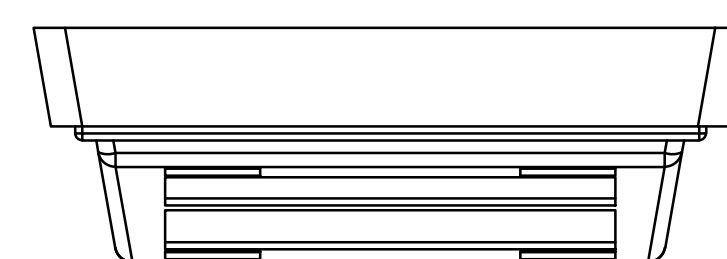
SECTION



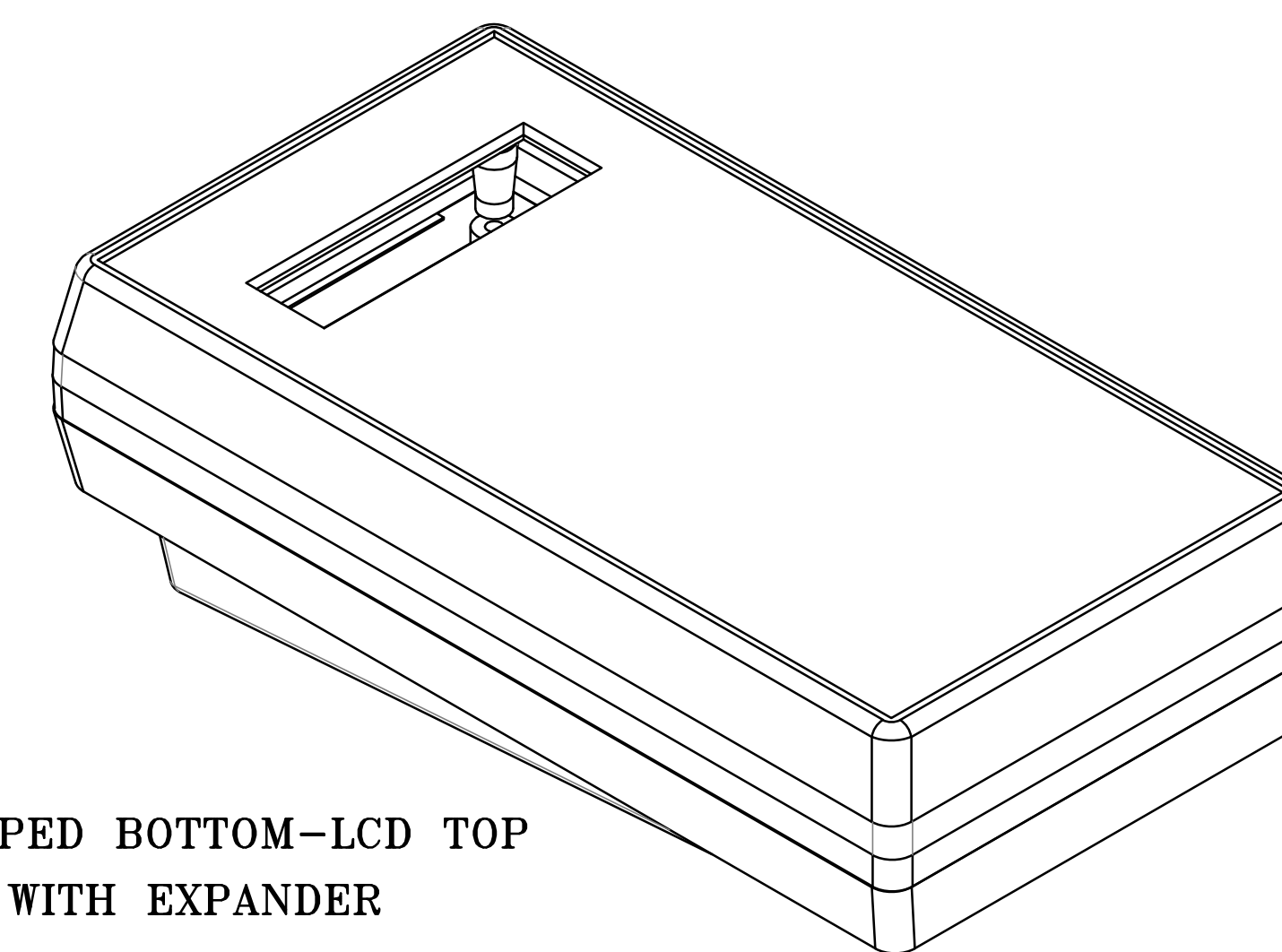
SLOPED BOTTOM
LCD TOP



SLOPED BOTTOM
ANGLED LCD TOP

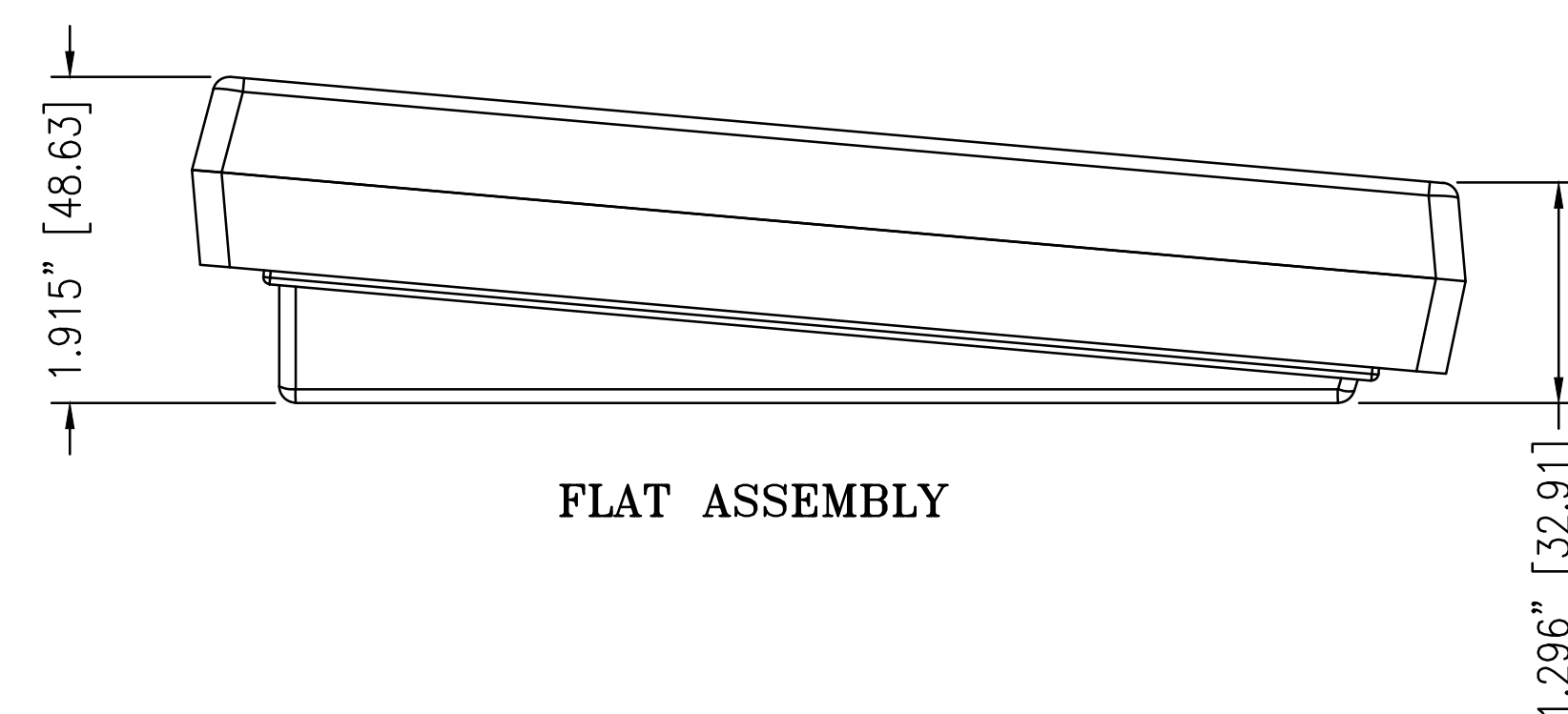


END VIEW

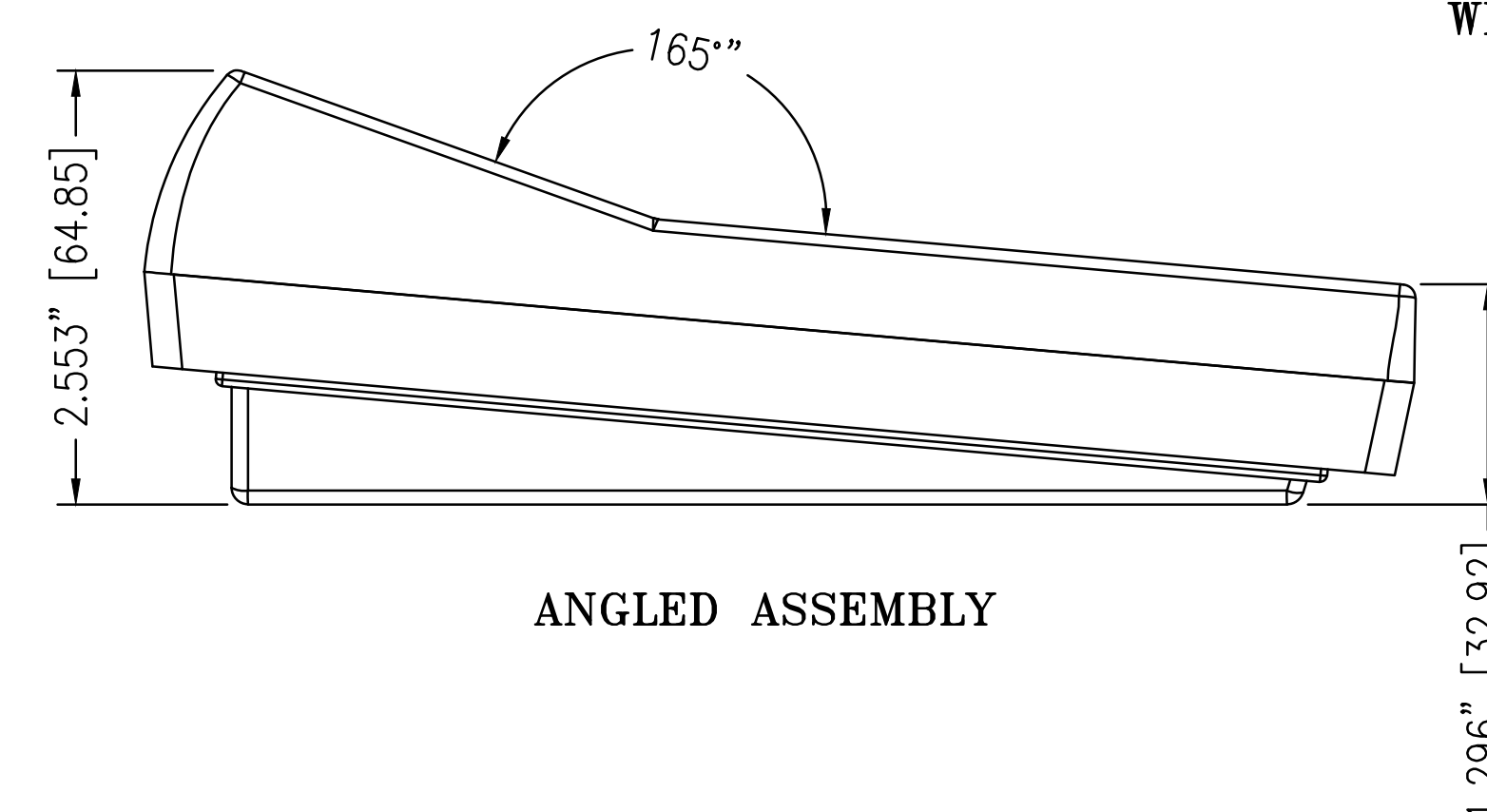


SLOPED BOTTOM-LCD TOP
WITH EXPANDER

OPTIONAL 0.500" EXPANDER



FLAT ASSEMBLY



ANGLED ASSEMBLY

THIS DRAWING IS THE PROPERTY OF AND MAY EMBODY PROPRIETARY INFORMATION OWNED BY Box Enclosures. IT IS PROVIDED UNDER A CONFIDENTIAL RELATIONSHIP FOR A SPECIFIC PURPOSE. THE RECIPIENT AGREES TO USE IT ONLY FOR SUCH PURPOSE AND RETURN IT TO Box Enclosure UPON REQUEST.

<p>ENCLOSURES & ASSEMBLY SERVICES</p>		Revision:	
		Model: 100 SERIES-Sloped Bottoms	
Title: MASTER-DRAWING		Dwg. No.:	Part No.:
Material:	TOLERANCE all dimension in inches unless otherwise specified. .x ±0.20 .xx ±0.10 .xx ±0.05 ANGLE ±0.5°	Color:	Drn. Date RUDY 12/01/19
Finish:		Qty:	Chk. Date
Proj.		A4 Sheet 1 of 1	App. Date