



ENCLOSING ELECTRONICS ONE BOX AT A TIME

# ENCLOSURES & ASSEMBLY SERVICES

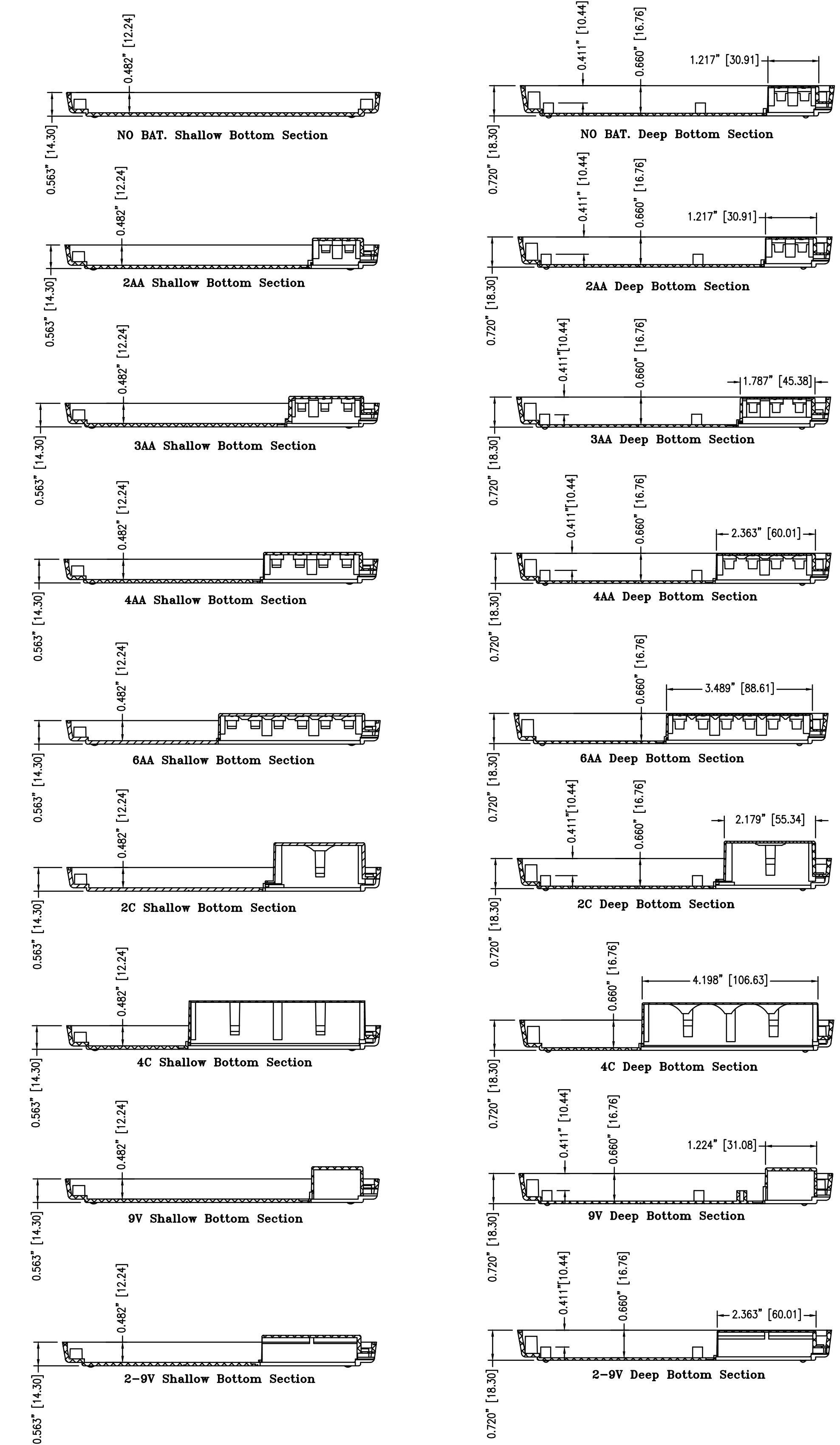
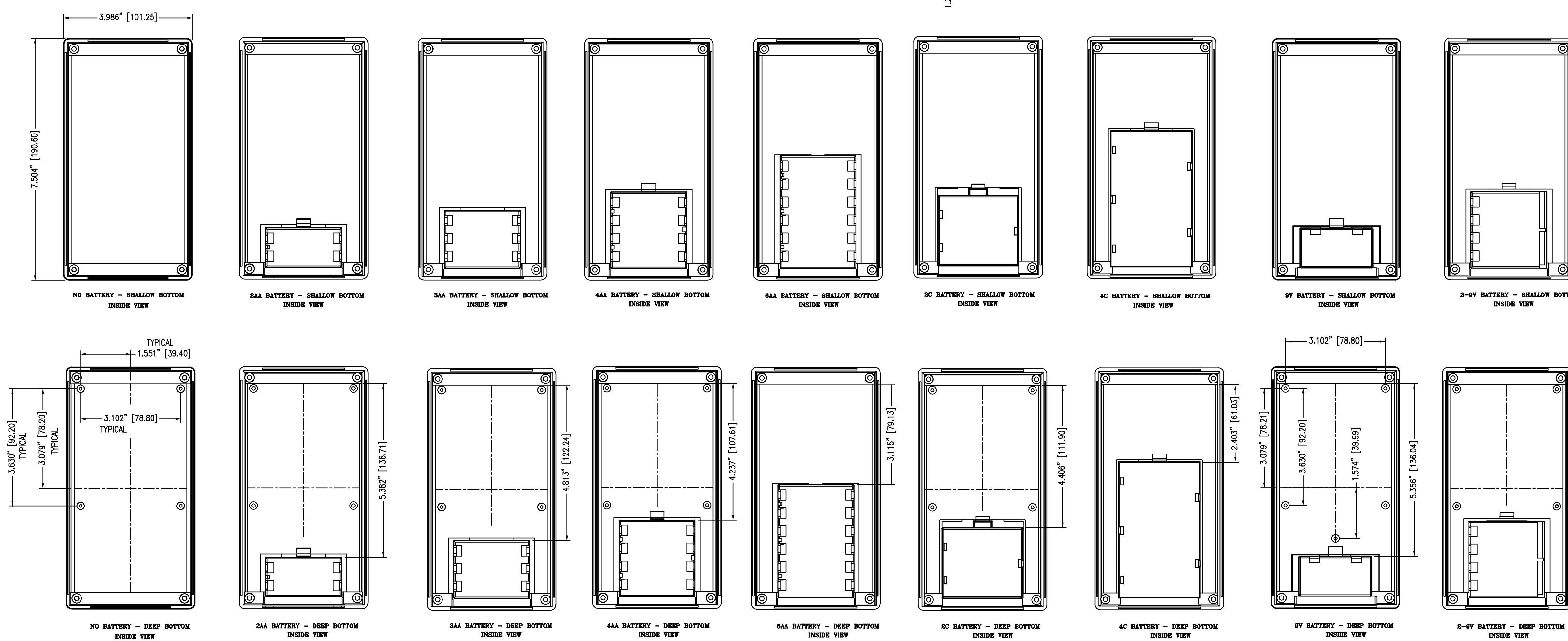
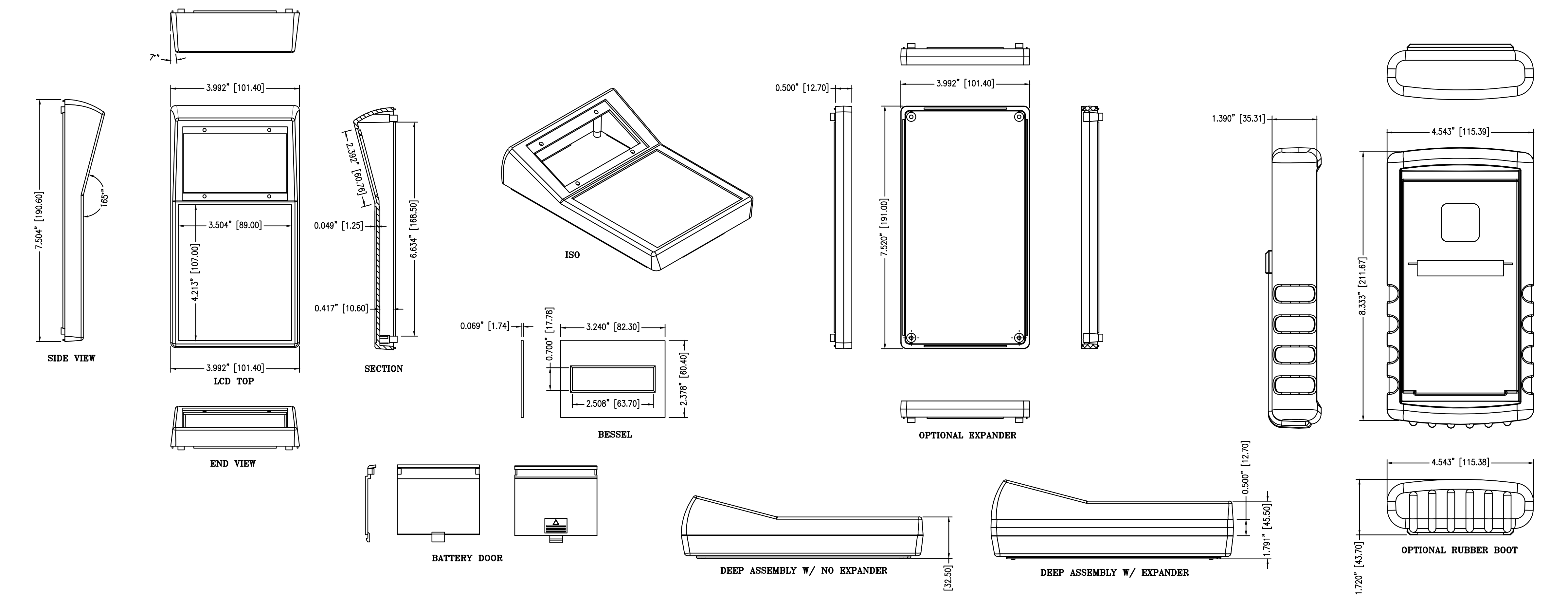
BOX ENCLOSURES, INC

14092 W. Lambs Lane  
Libertyville, IL 60048

TEL: 847-932-4700

www.boxenclosures.com

FAX: 847-932-4701



<p><b>ENCLOSURES &amp; ASSEMBLY SERVICES</b></p>		Revision:	
		Model: 100 SERIES-Angled LCD	
Title MASTER-DRAWING		Dwg. No.:	Part No.:
Material:	TOLERANCE all dimension in inches unless otherwise specified. .x ±0.20 .xx ±0.10 .xx ±0.05 ANGLE ±0.5°	Color:	Drn. Date RUDY 12/01/19
Finish:		Qty:	Chk. Date
Proj.		A4 Sheet 1 of 1	App. Date

THIS DRAWING IS THE PROPERTY OF AND MAY EMBODY PROPRIETARY INFORMATION OWNED BY Box Enclosures, INC. IT IS PROVIDED UNDER A CONFIDENTIAL RELATIONSHIP FOR A SPECIFIC PURPOSE. THE RECIPIENT AGREES TO USE IT ONLY FOR SUCH PURPOSE AND RETURN IT TO Box Enclosures, INC. UPON REQUEST.