



ENCLOSING ELECTRONICS ONE BOX AT A TIME

ENCLOSURES & ASSEMBLY SERVICES

BOX ENCLOSURES, INC

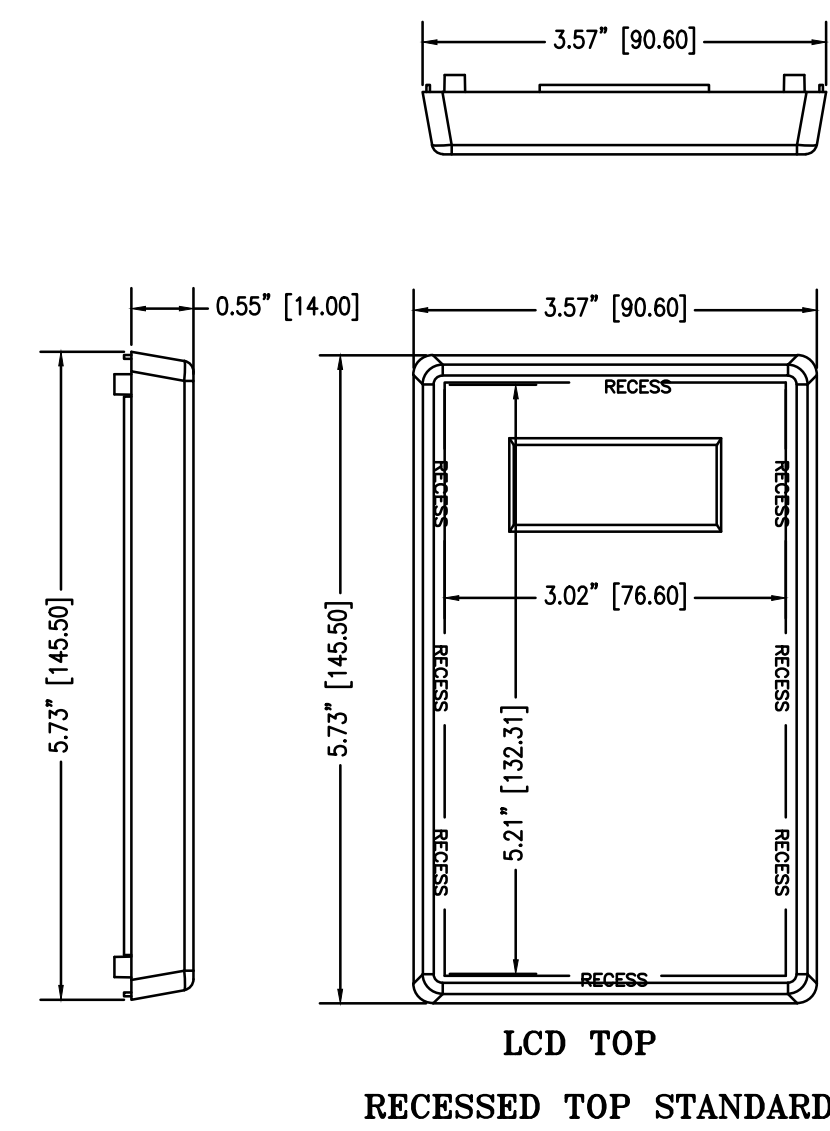
14092 W. Lambs Lane
Libertyville, IL 60048

TEL: 847-932-4700

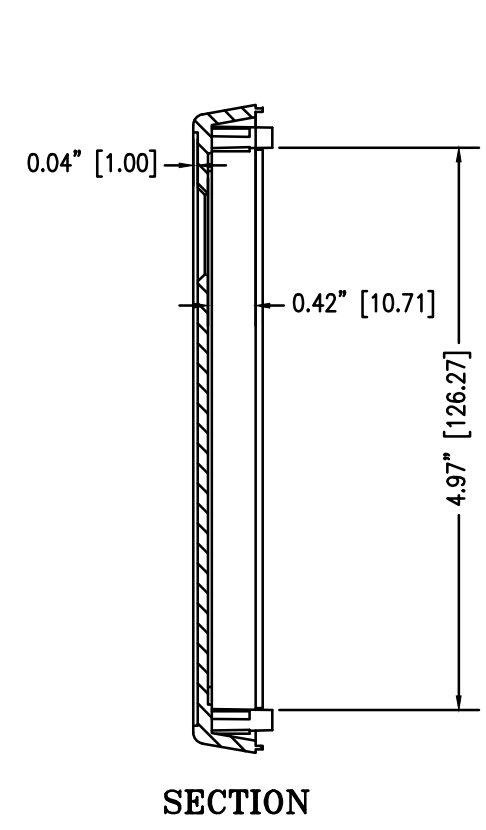
www.boxenclosures.com

FAX: 847-932-4701

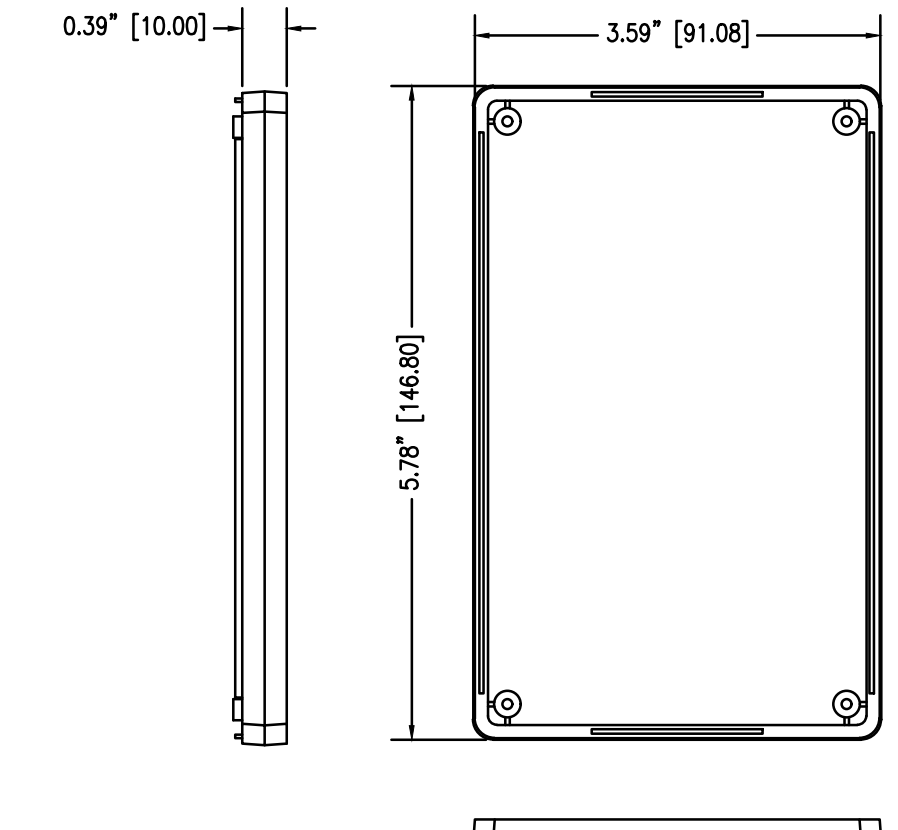
LCD WINDOW SIZE		
2"-LC MODULES	2X20	4X20
1.79 x 0.70	1.76 X 0.36	1.76 X 0.69



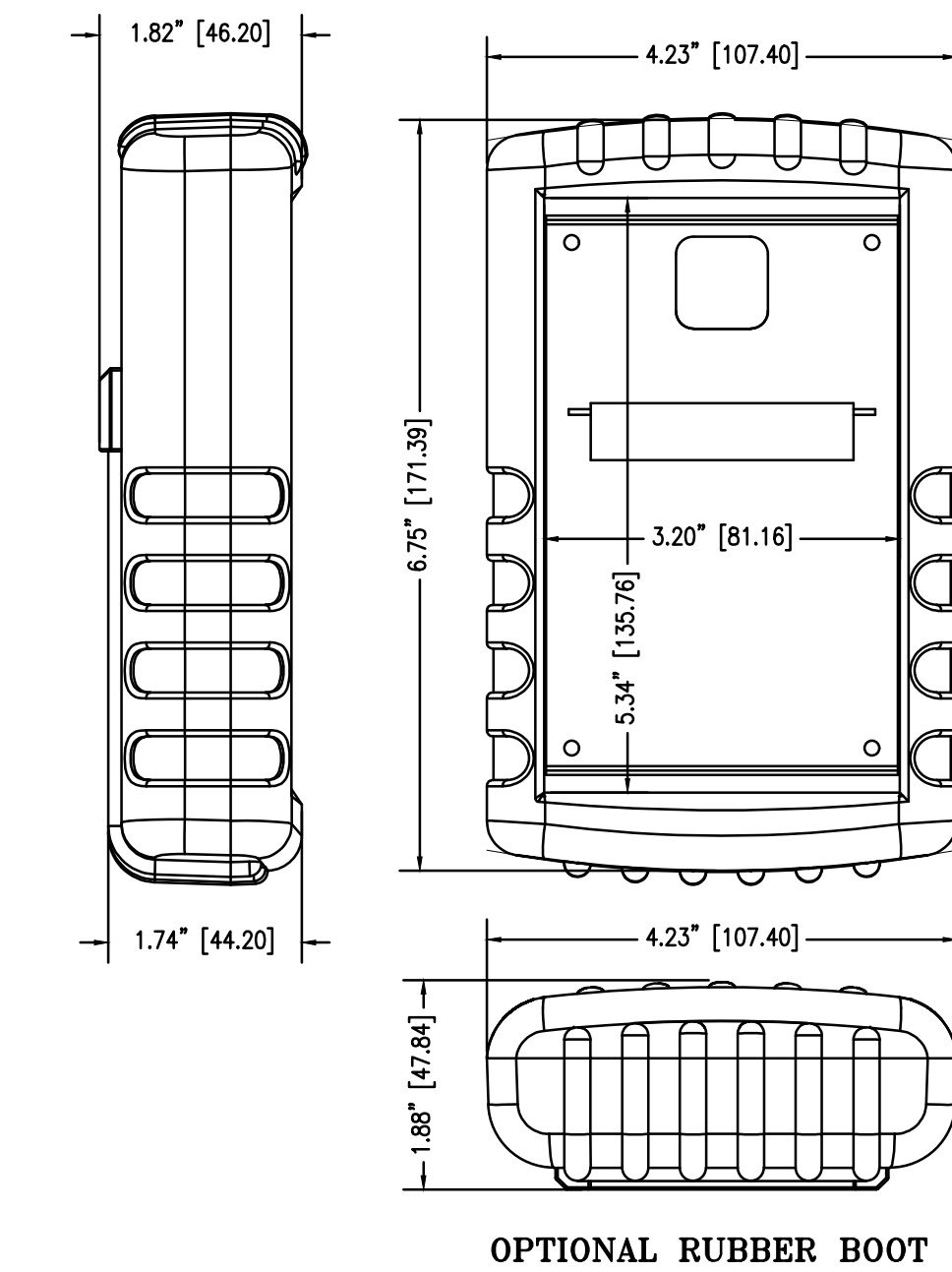
LCD TOP
RECESSED TOP STANDARD



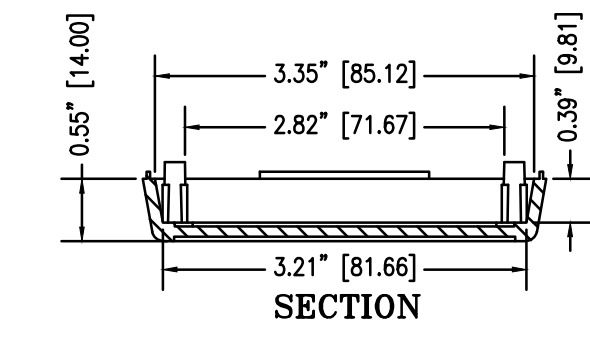
SECTION



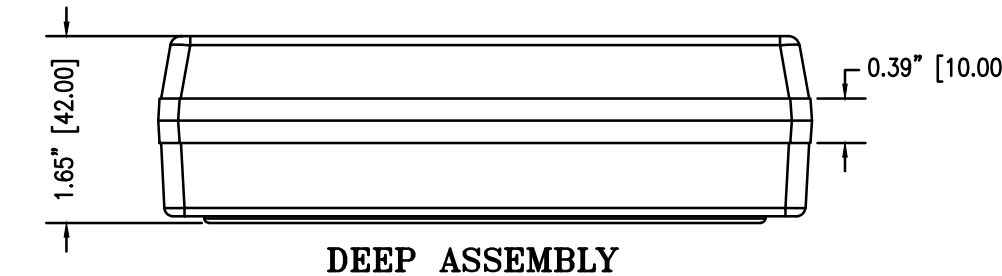
OPTIONAL EXPANDER



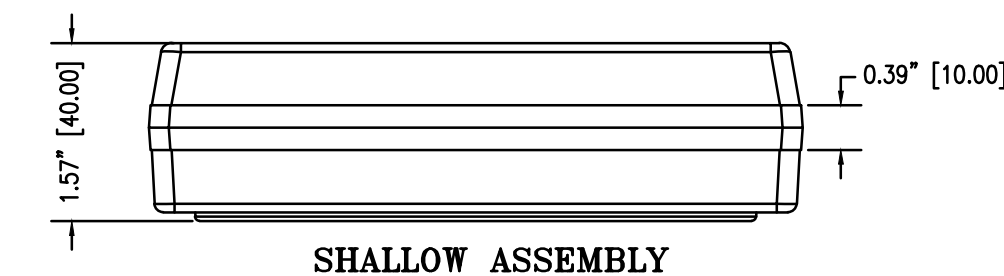
OPTIONAL RUBBER BOOT



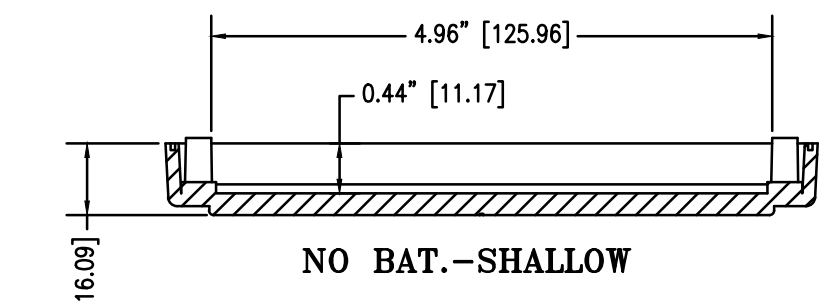
SECTION



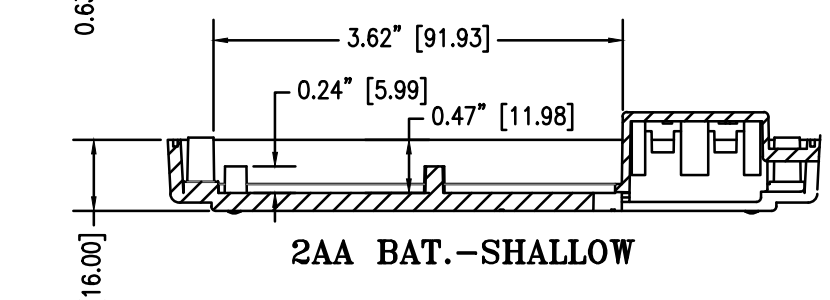
DEEP ASSEMBLY



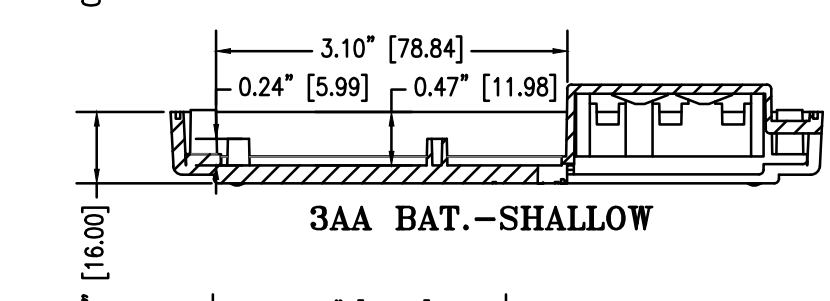
SHALLOW ASSEMBLY



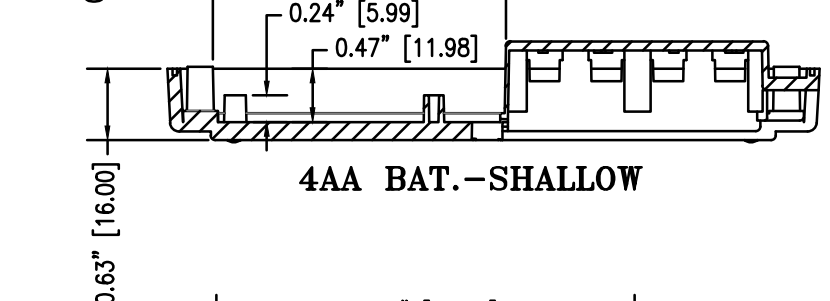
NO BAT.-SHALLOW



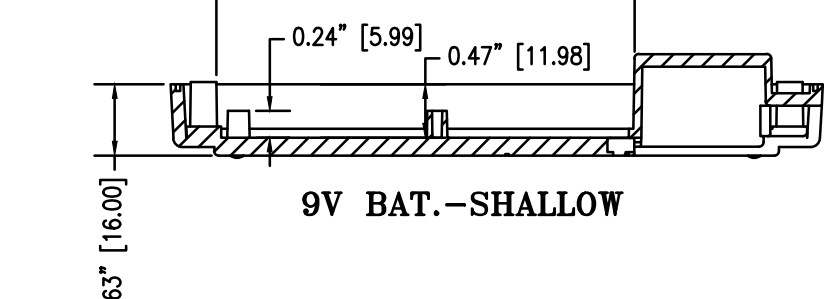
2AA BAT.-SHALLOW



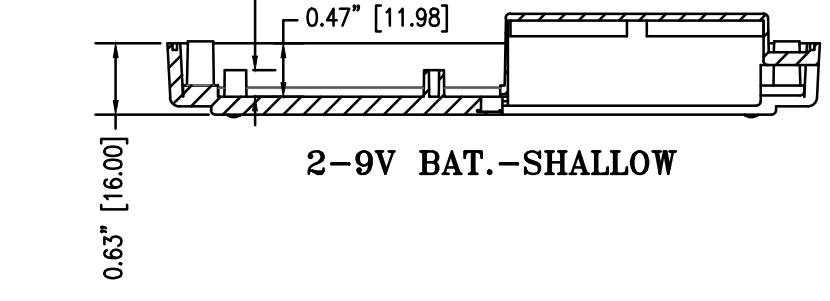
3AA BAT.-SHALLOW



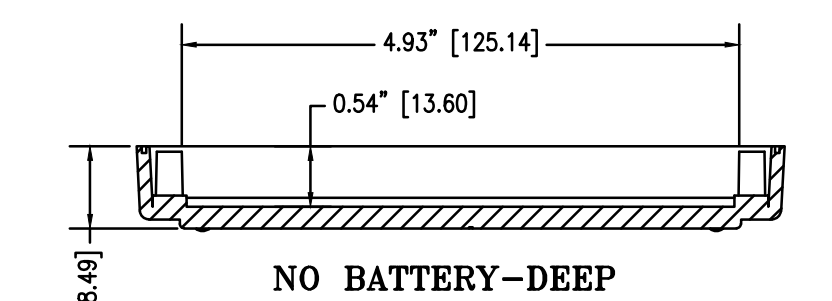
4AA BAT.-SHALLOW



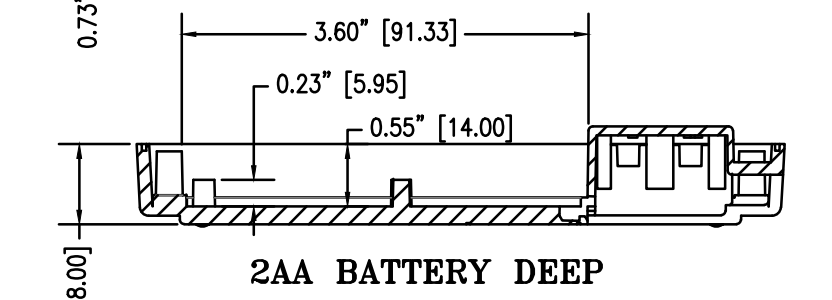
9V BAT.-SHALLOW



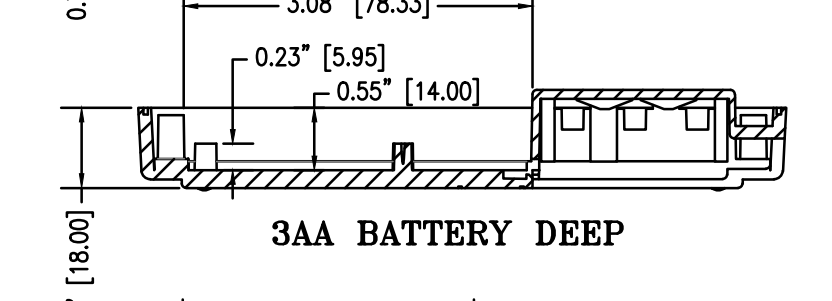
2-9V BAT.-SHALLOW



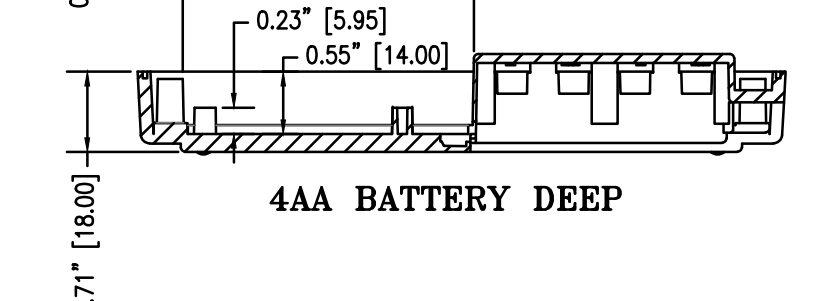
NO BATTERY-DEEP



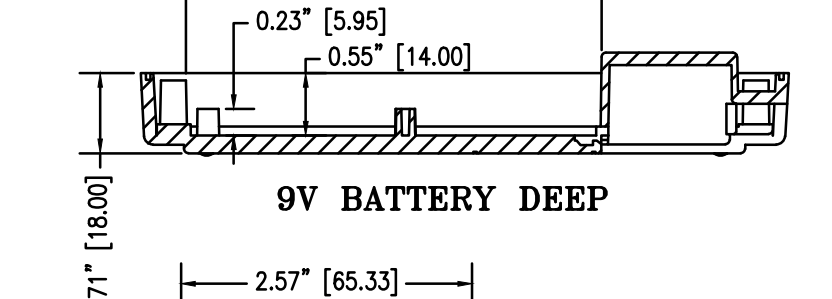
2AA BATTERY DEEP



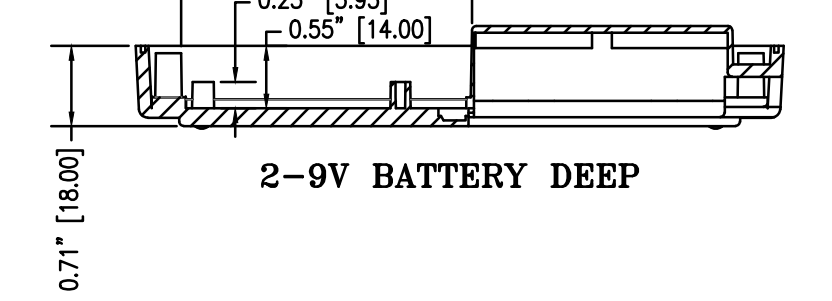
3AA BATTERY DEEP



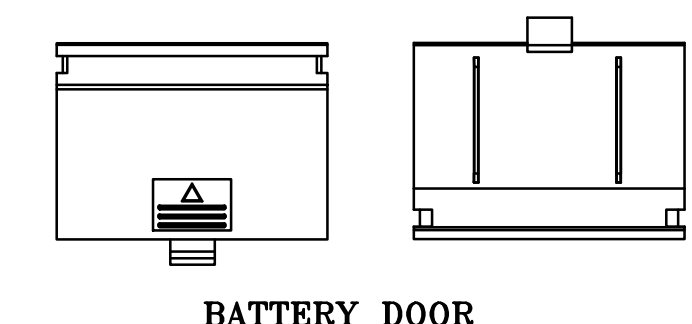
4AA BATTERY DEEP



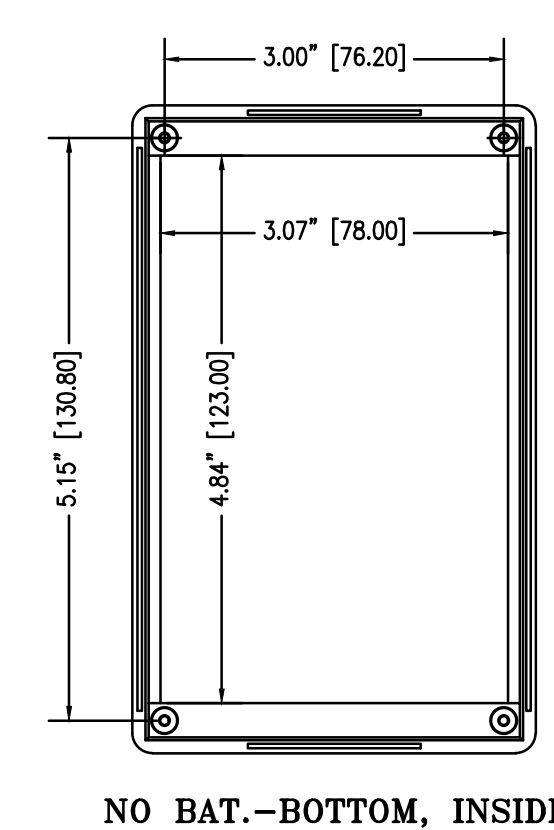
9V BATTERY DEEP



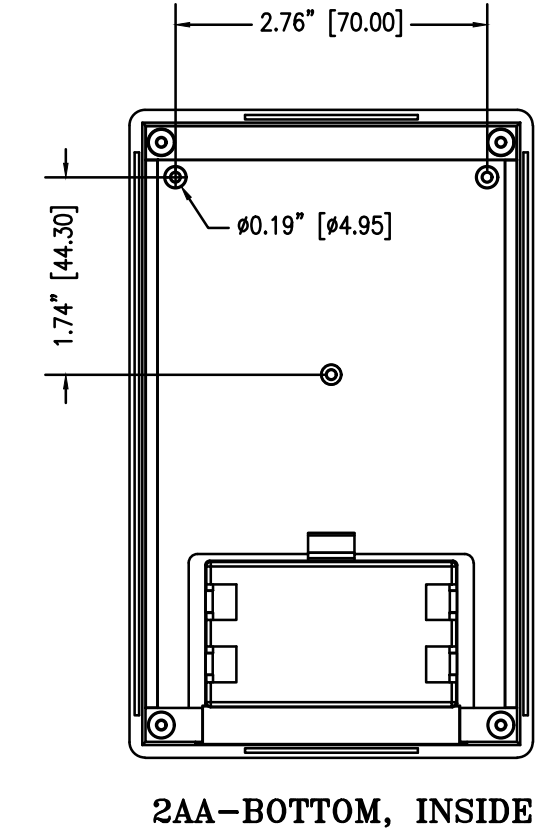
2-9V BATTERY DEEP



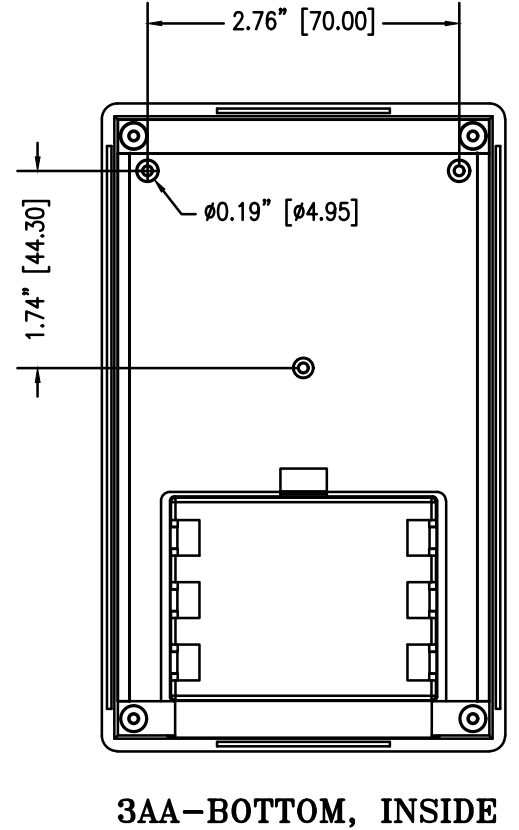
BATTERY DOOR



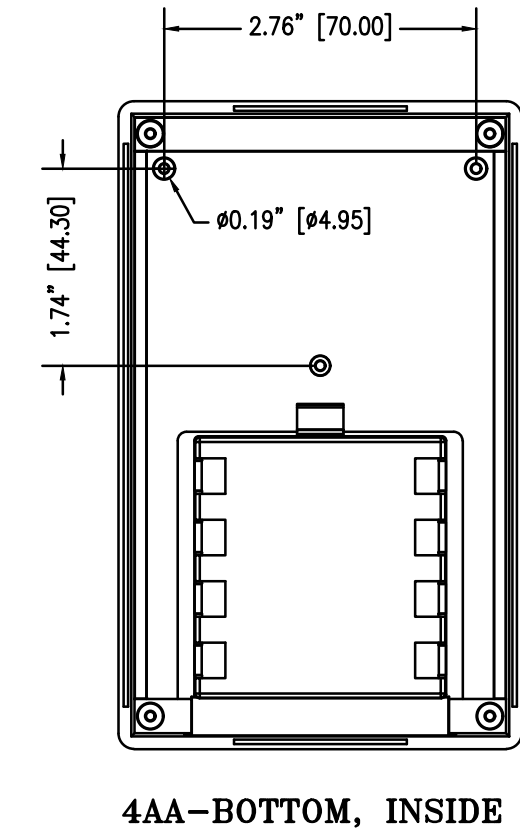
NO BAT.-BOTTOM, INSIDE



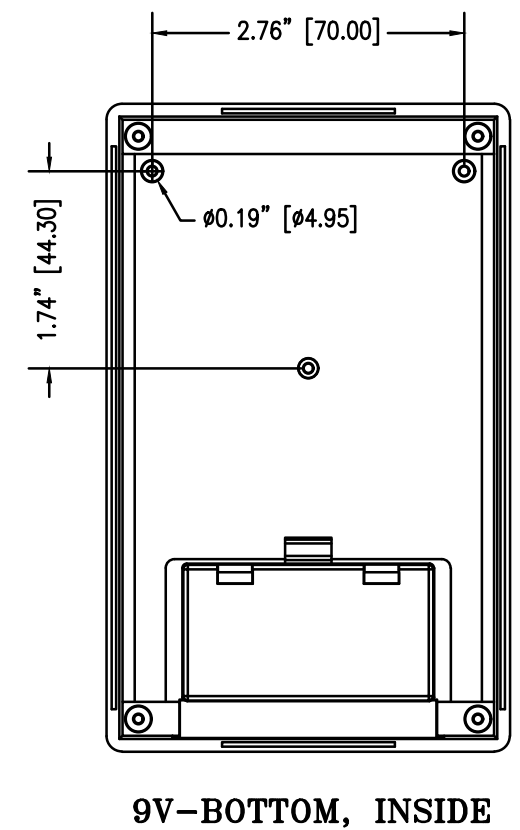
2AA-BOTTOM, INSIDE



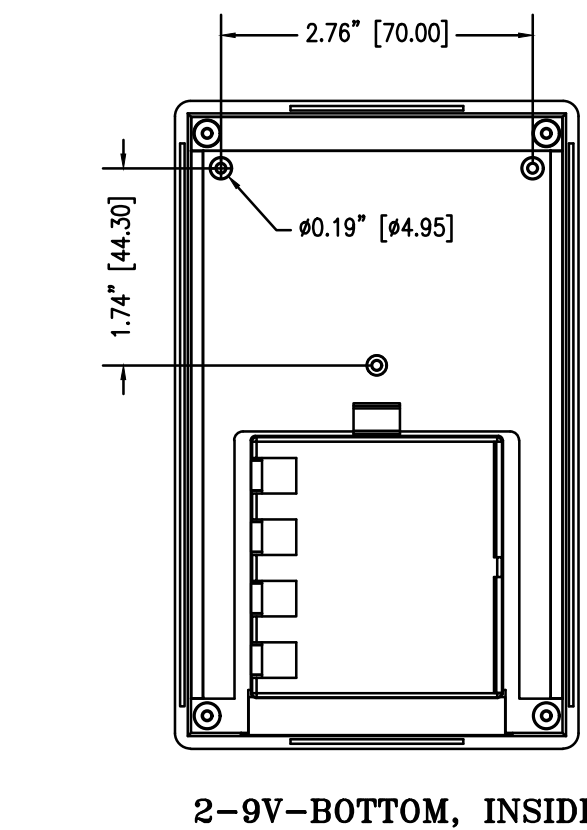
3AA-BOTTOM, INSIDE



4AA-BOTTOM, INSIDE



9V-BOTTOM, INSIDE



2-9V-BOTTOM, INSIDE

NOTE: STEP FILES AVAILABLE AT WWW.BOXENCLOSURES.COM

THIS DRAWING IS THE PROPERTY OF AND MAY EMBODY PROPRIETARY INFORMATION OWNED BY Box Enclosures. IT IS PROVIDED UNDER A CONFIDENTIAL RELATIONSHIP FOR A SPECIFIC PURPOSE. THE RECIPIENT AGREES TO USE IT ONLY FOR SUCH PURPOSE AND RETURN IT TO Box Enclosure UPON REQUEST.

		Revision:	
		Model: 90 SERIES-LCD	
Title MASTER-DRAWING		Dwg. No.:	Part No.:
Material:	TOLERANCE all dimension in inches unless otherwise specified. .x ±0.20 .xx ±0.10 .xx ±0.05 ANGLE ±0.5°	Color:	Drn. Date RUDY 11/20/19
Finish:		Qty:	Chk. Date
Proj.		A4 Sheet 1 of 1	App. Date