



ENCLOSING ELECTRONICS ONE BOX AT A TIME

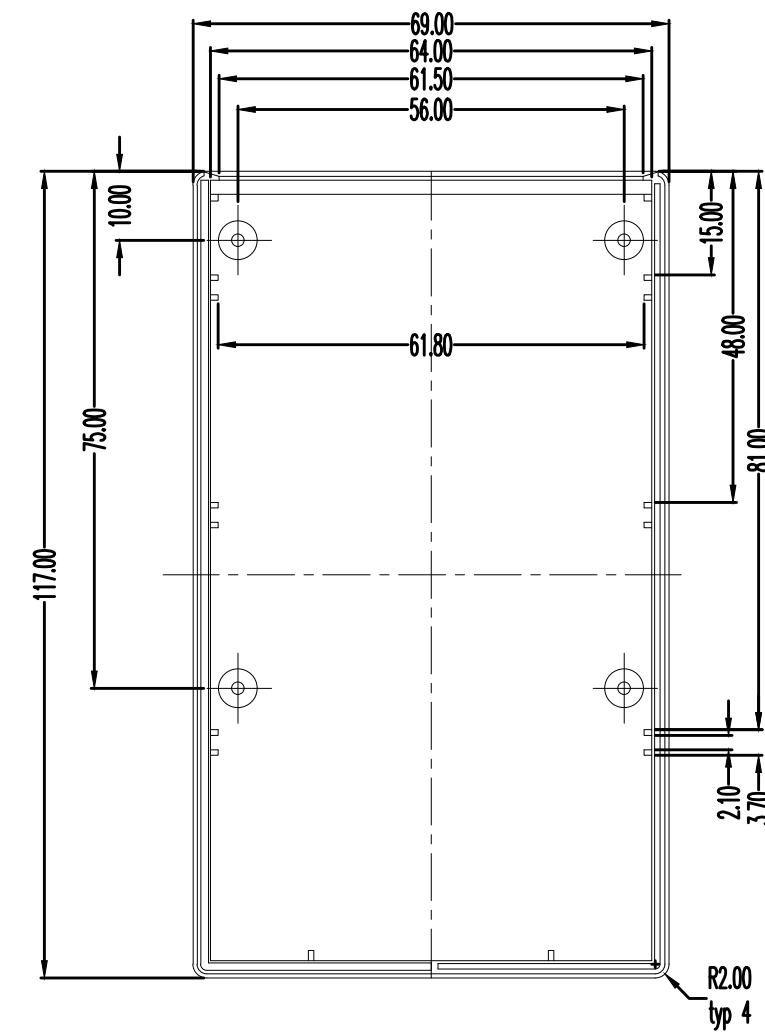
ENCLOSURES & ASSEMBLY SERVICES

BOX ENCLOSURES, INC
14092 W. Lambs Lane
Libertyville, IL 60048

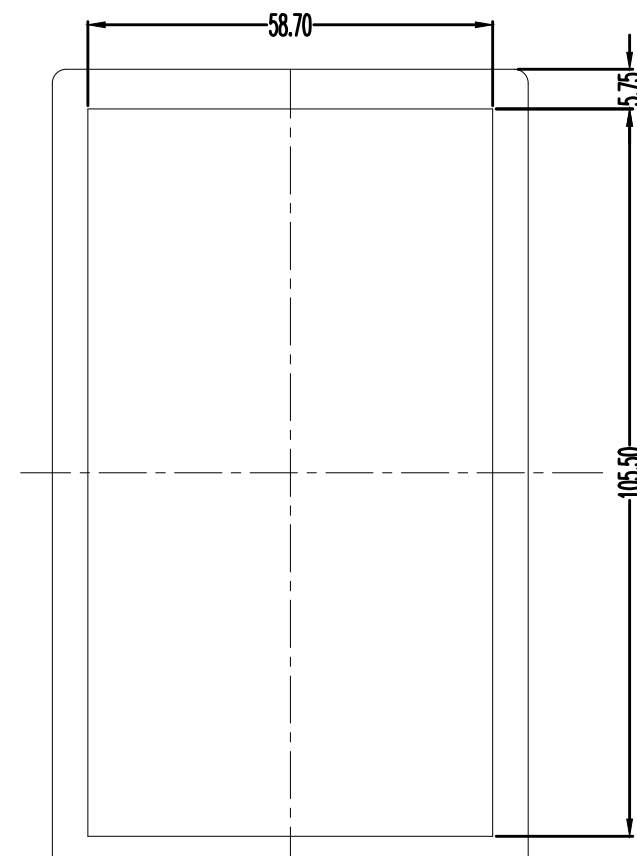
TEL: 847-932-4700

www.boxenclosures.com

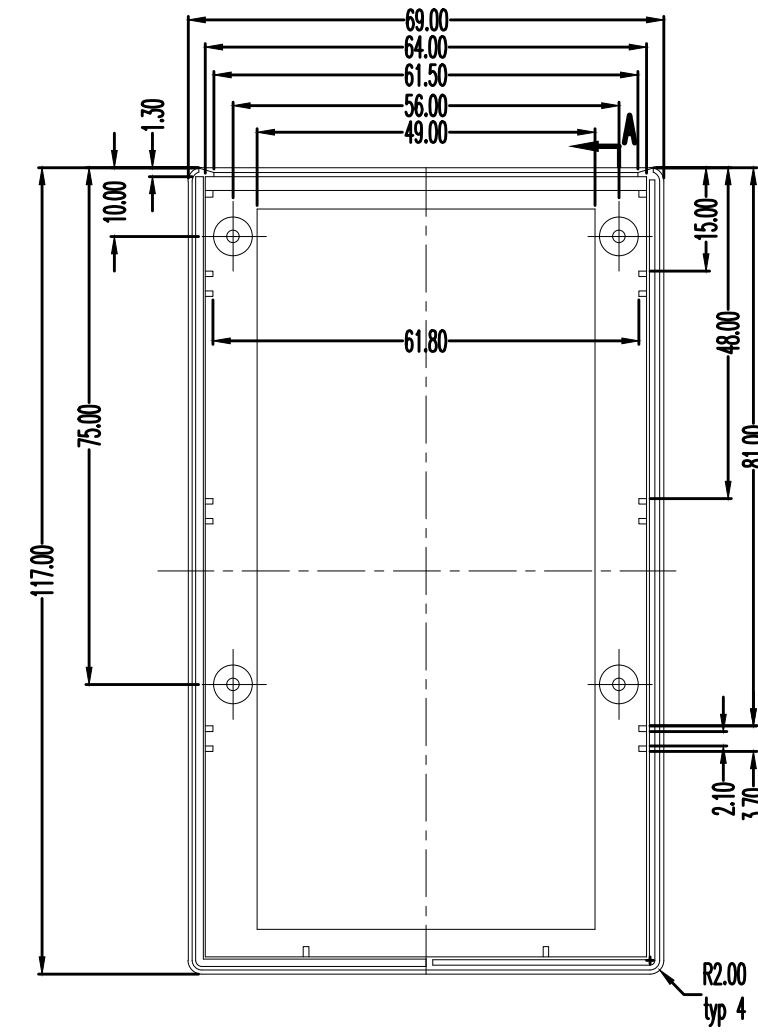
FAX: 847-932-4701



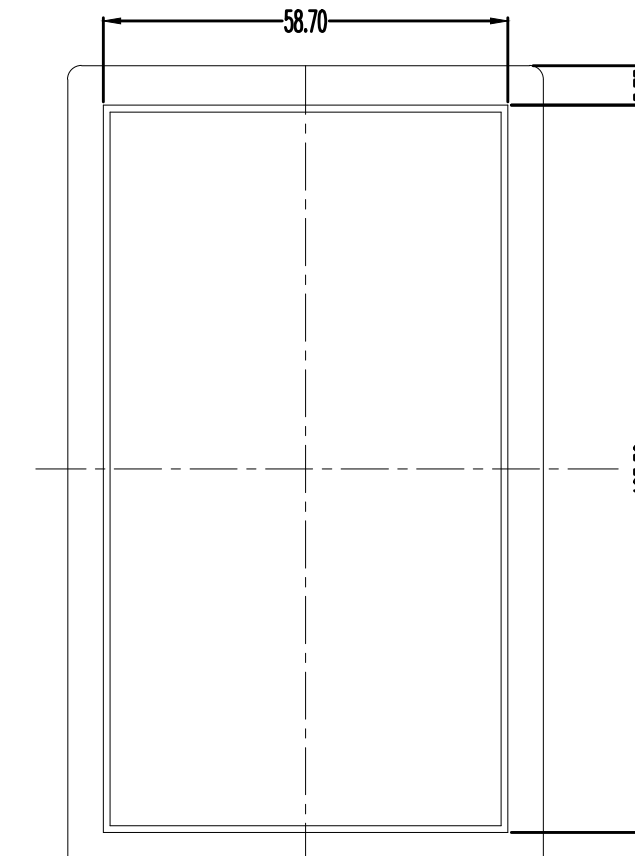
RECESSED TOP-INSIDE



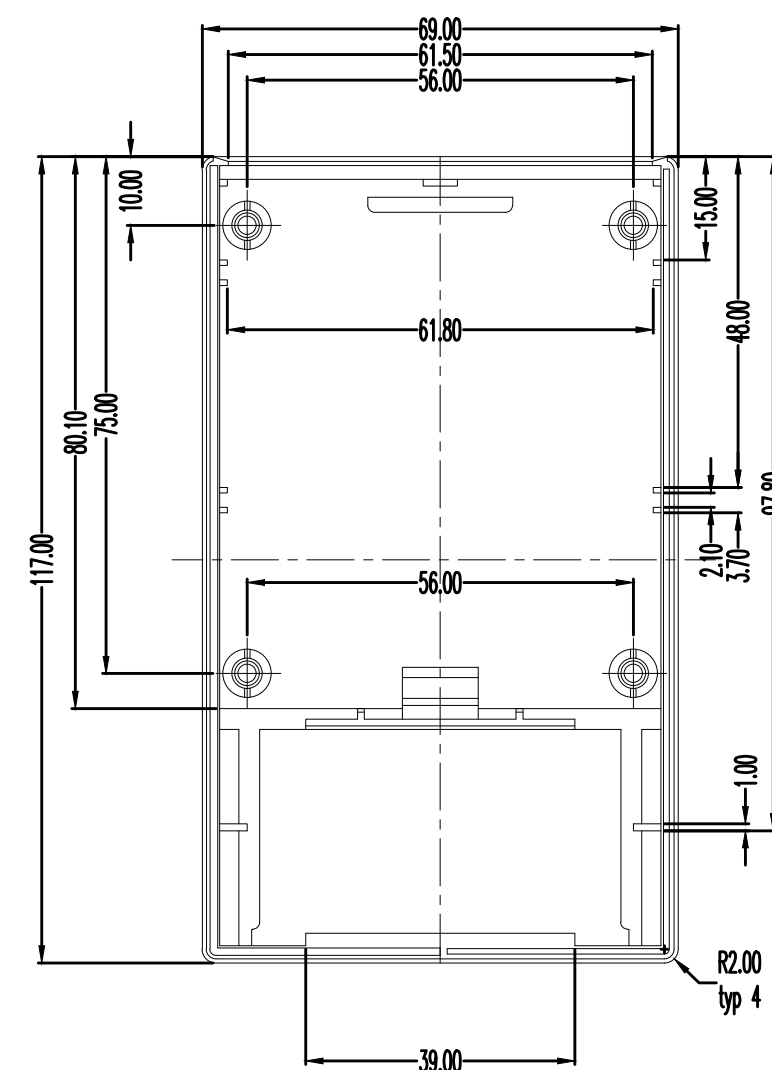
RECESSED TOP-OUTSIDE



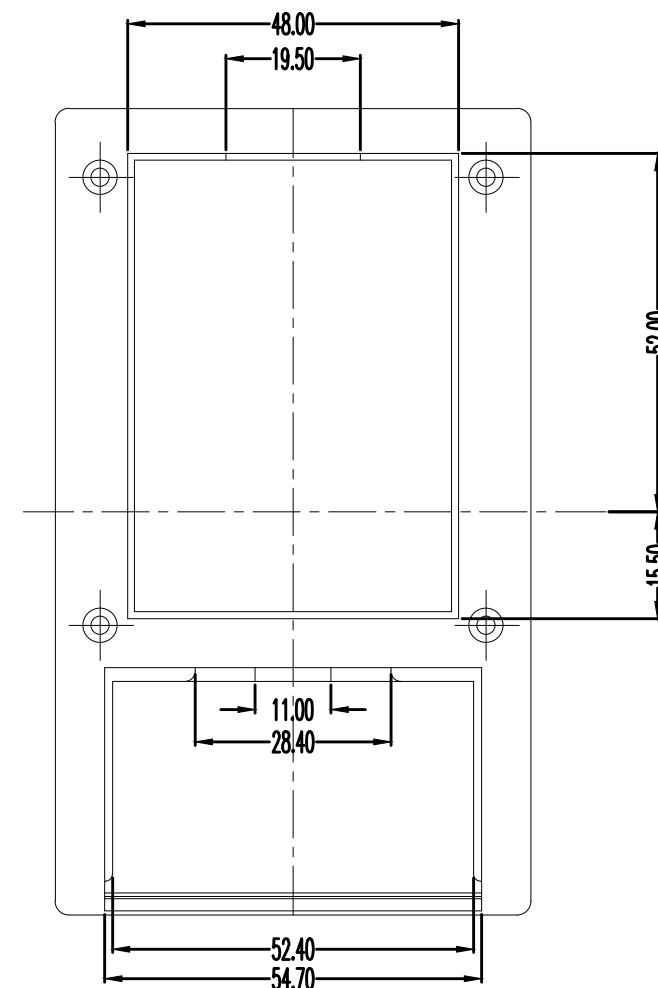
FLUSH TOP-INSIDE



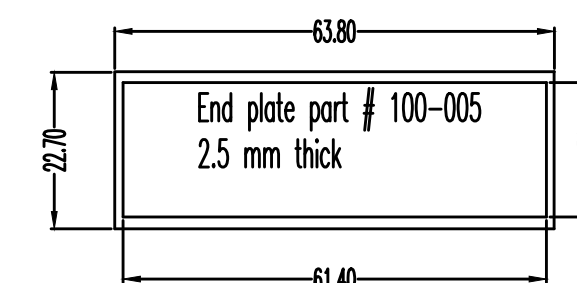
FLUSH TOP-OUTSIDE



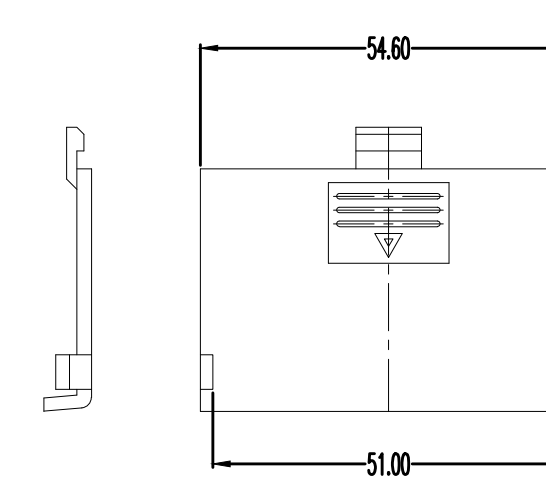
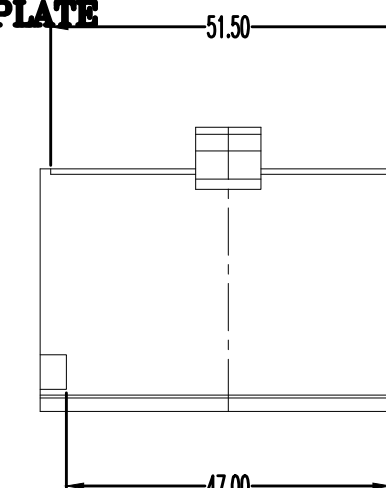
BOTTOM-INSIDE



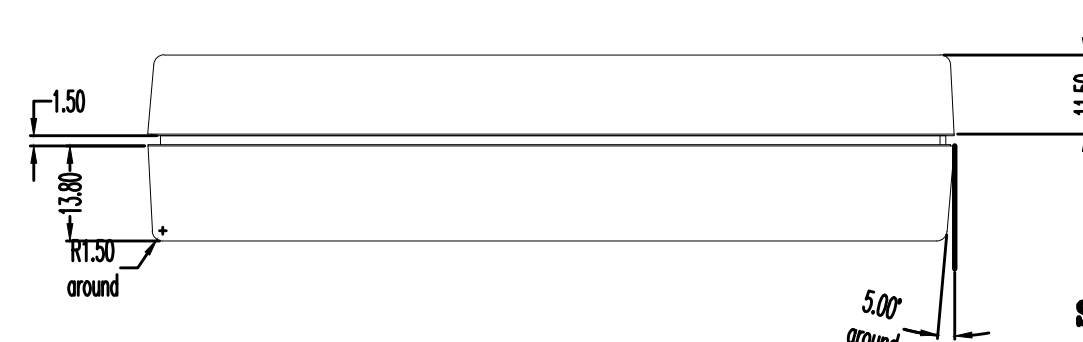
BOTTOM-OUTSIDE



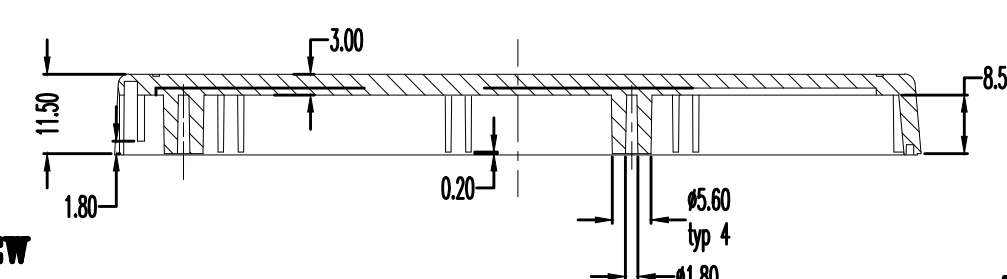
END PLATE



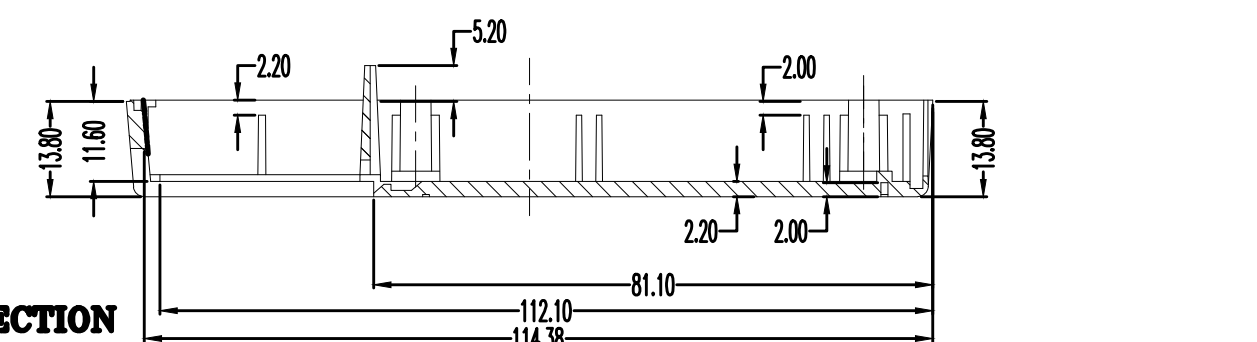
BATTERY DOOR



SIDE VIEW



TOP-SECTION



BOTTOM-SECTION

THIS DRAWING IS THE PROPERTY OF AND MAY EMBODY PROPRIETARY INFORMATION OWNED BY Box Enclosures®. IT IS PROVIDED UNDER A CONFIDENTIAL RELATIONSHIP FOR A SPECIFIC PURPOSE. THE RECIPIENT AGREES TO USE IT ONLY FOR SUCH PURPOSE AND RETURN IT TO Box Enclosure® UPON REQUEST.

		Revision:	
		Model: 50 SERIES	
Title: MASTER-DRAWING		Dwg. No.:	Part No.:
Material:	TOLERANCE all dimension in mm unless otherwise specified. x ±0.20 .x ±0.10 .xx ±0.05 ANGLE ±0.5°	Color:	Drn. Date RFK 10/23/19
Finish:		Qty:	Chk. Date
Proj.		A4 Sheet 1 of 1	App. Date