

ENCLOSING ELECTRONICS ONE BOX AT A TIME

BOX ENCLOSURES, INC

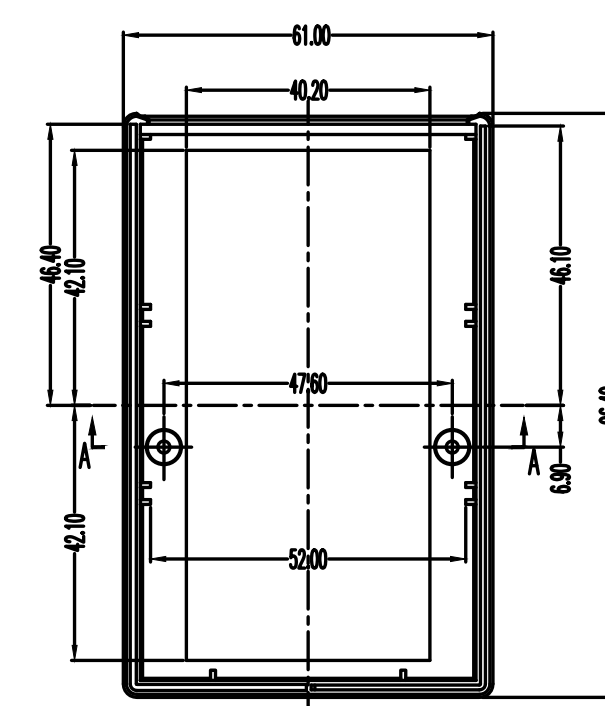
14092 W. Lambs Lane
Libertyville, IL 60048

TEL: 847-932-4700

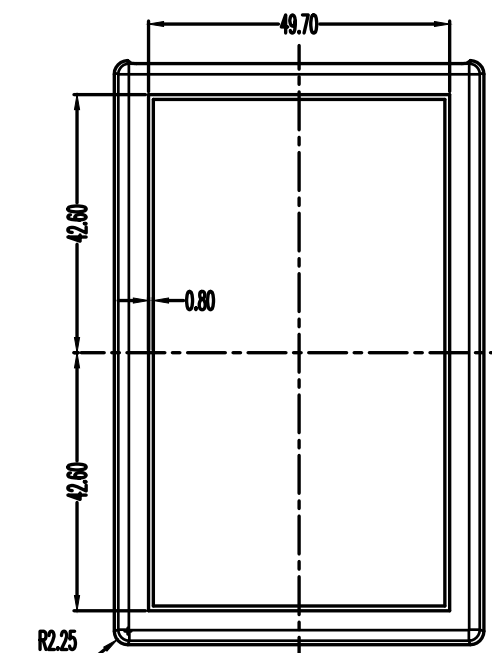
WWW.BOXENCLOSURES.COM

FAX: 847-932-4701

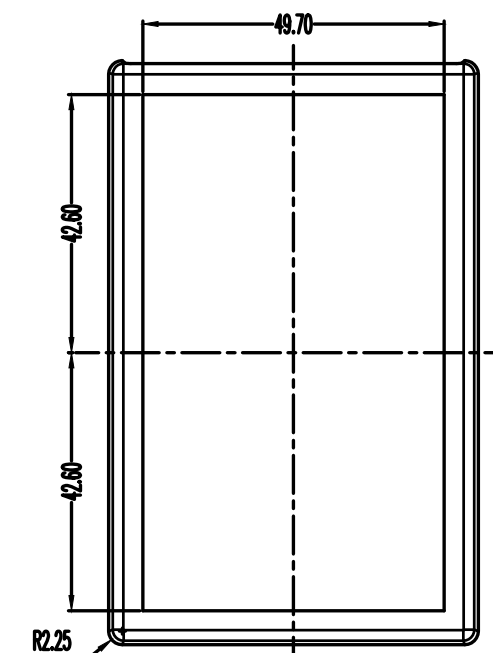
ENCLOSURES & ASSEMBLY SERVICES
ENCLOSURES & ASSEMBLY SERVICES



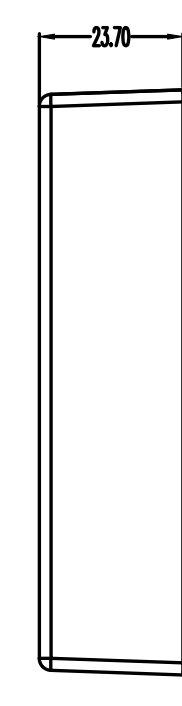
TOP-INSIDE



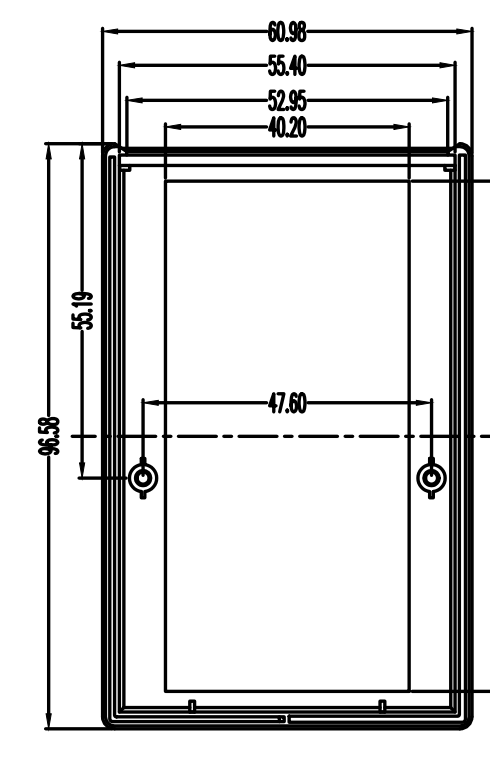
FLUSH TOP-OUTSIDE



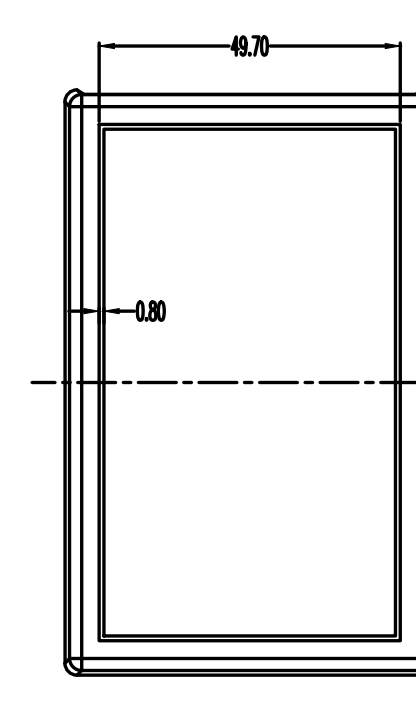
RECESSED TOP-OUTSIDE



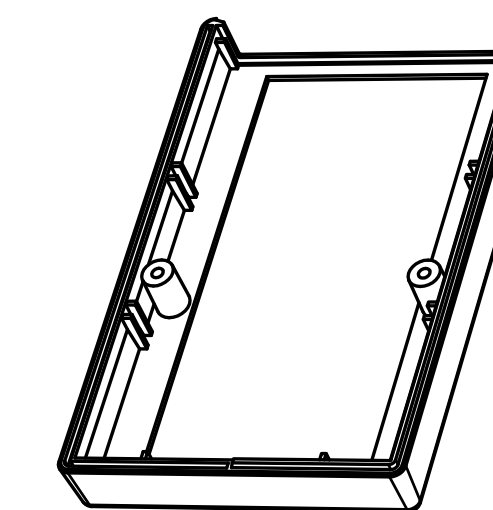
RECESSED TOP-OUTSIDE



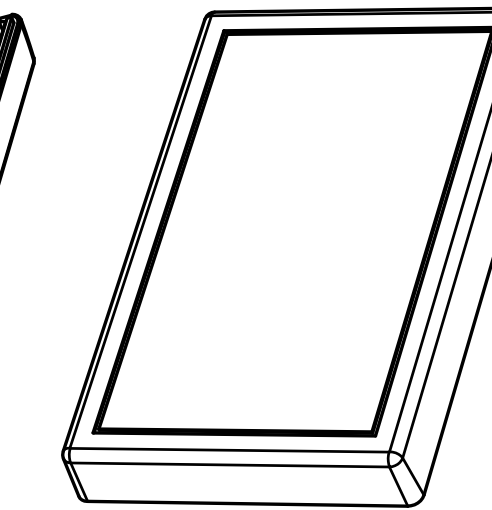
DEEP TOP-INSIDE



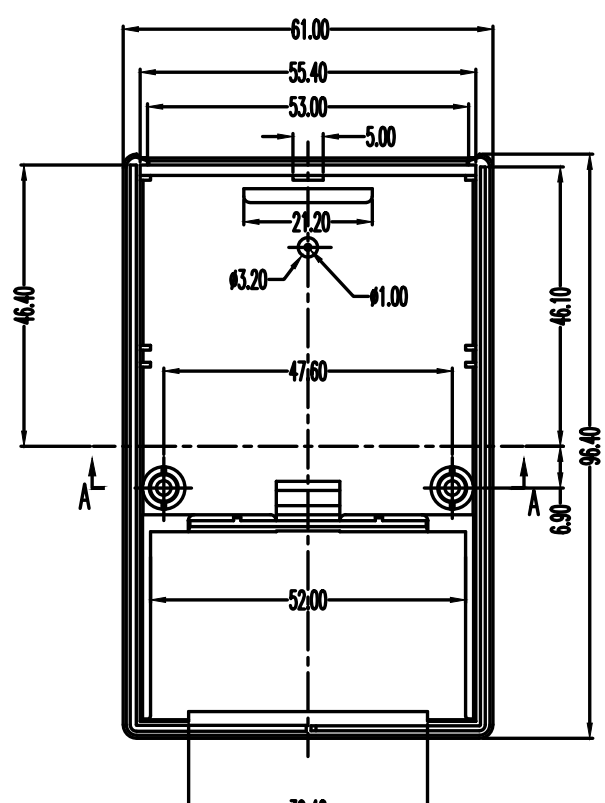
DEEP TOP-OUTSIDE



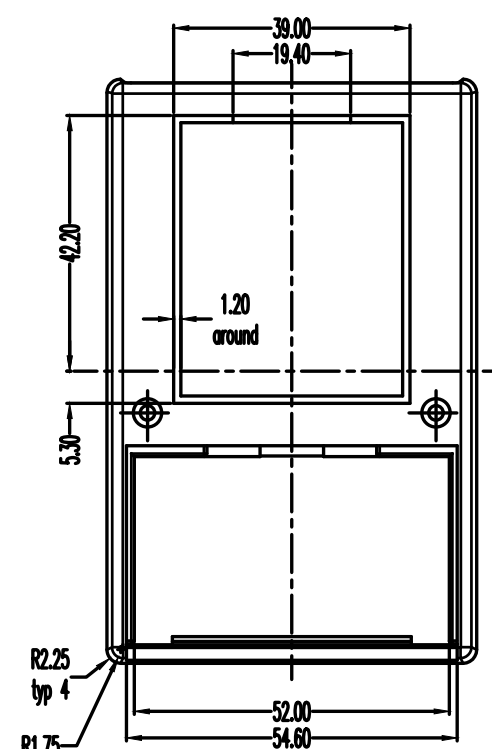
TOP-INSIDE



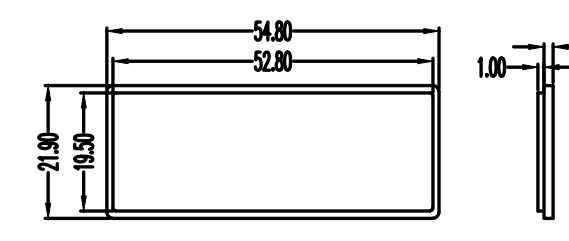
TOP-OUTSIDE



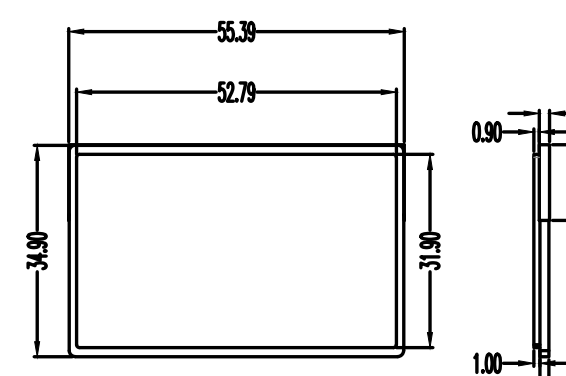
BOTTOM-INSIDE



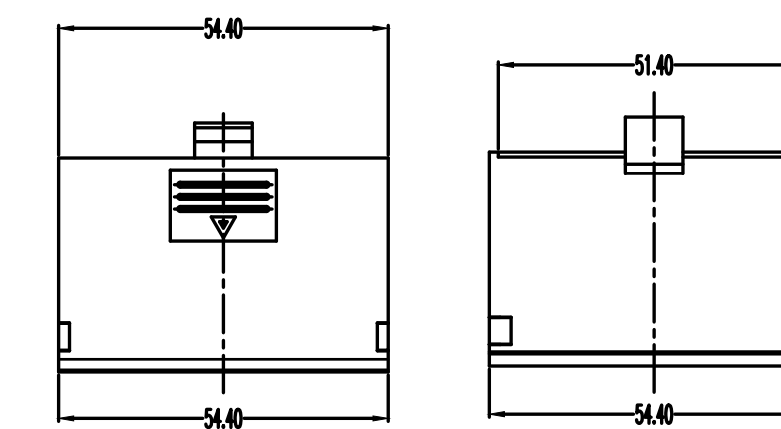
BOTTOM-OUTSIDE



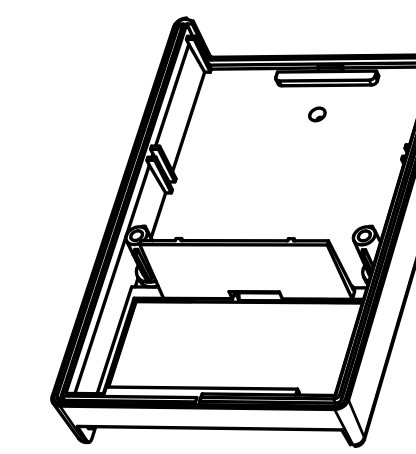
STANDARD PLATE



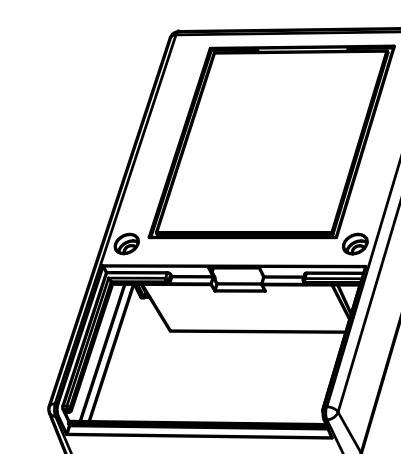
DEEP PLATE



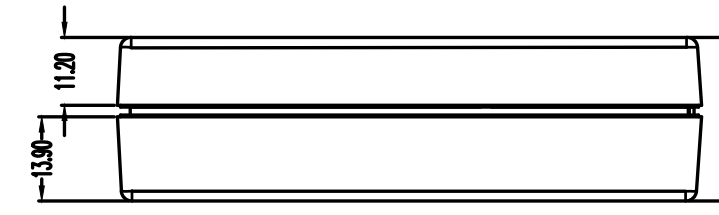
OUTSIDE BATTERY-DOOR INSIDE



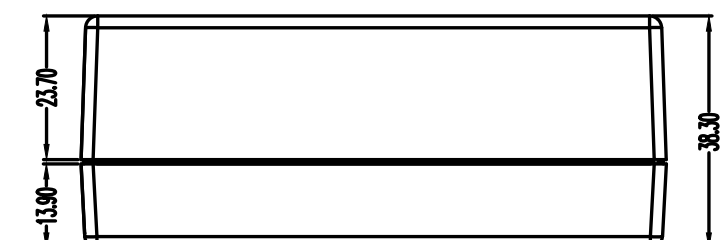
BOTTOM-INSIDE



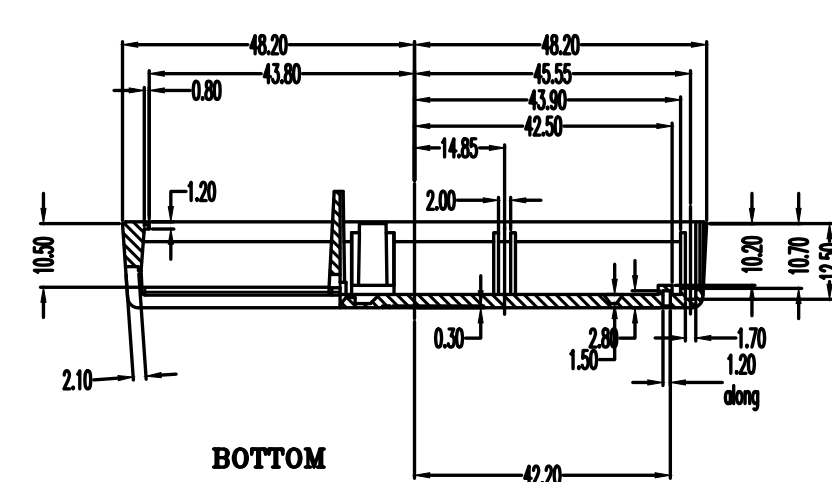
BOTTOM-OUTSIDE



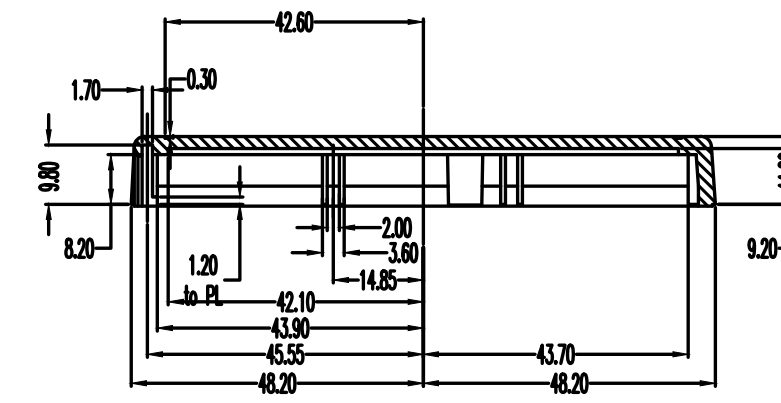
SIDE VIEW



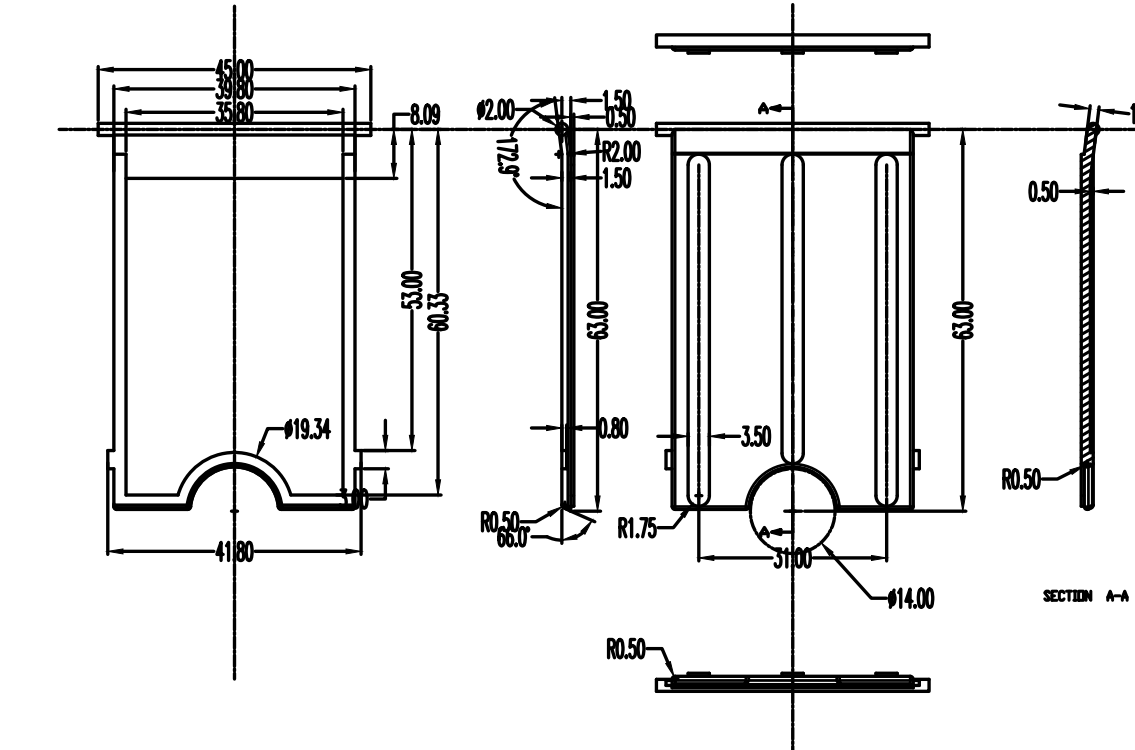
DEEP TOP SIDE VIEW



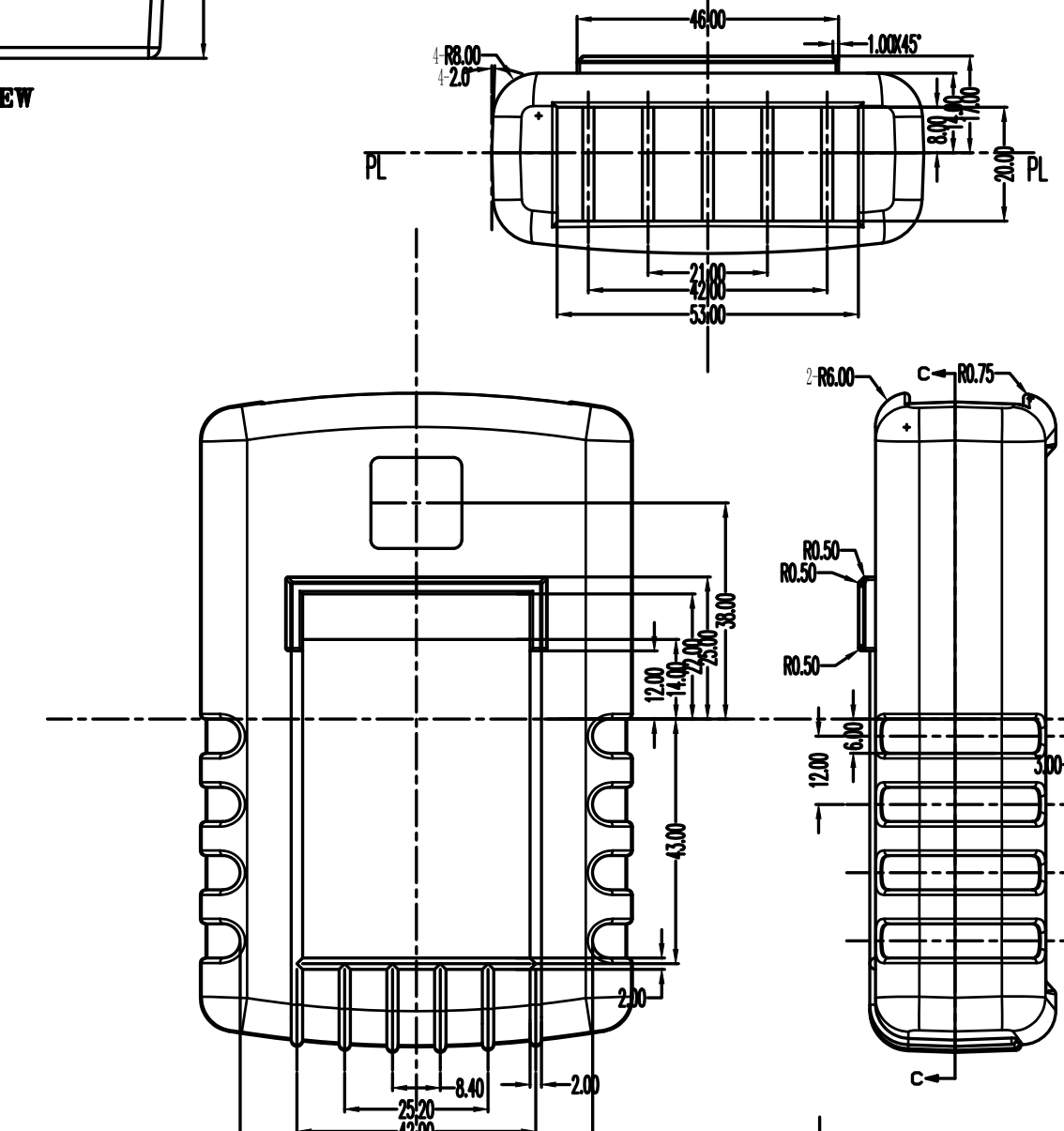
BOTTOM



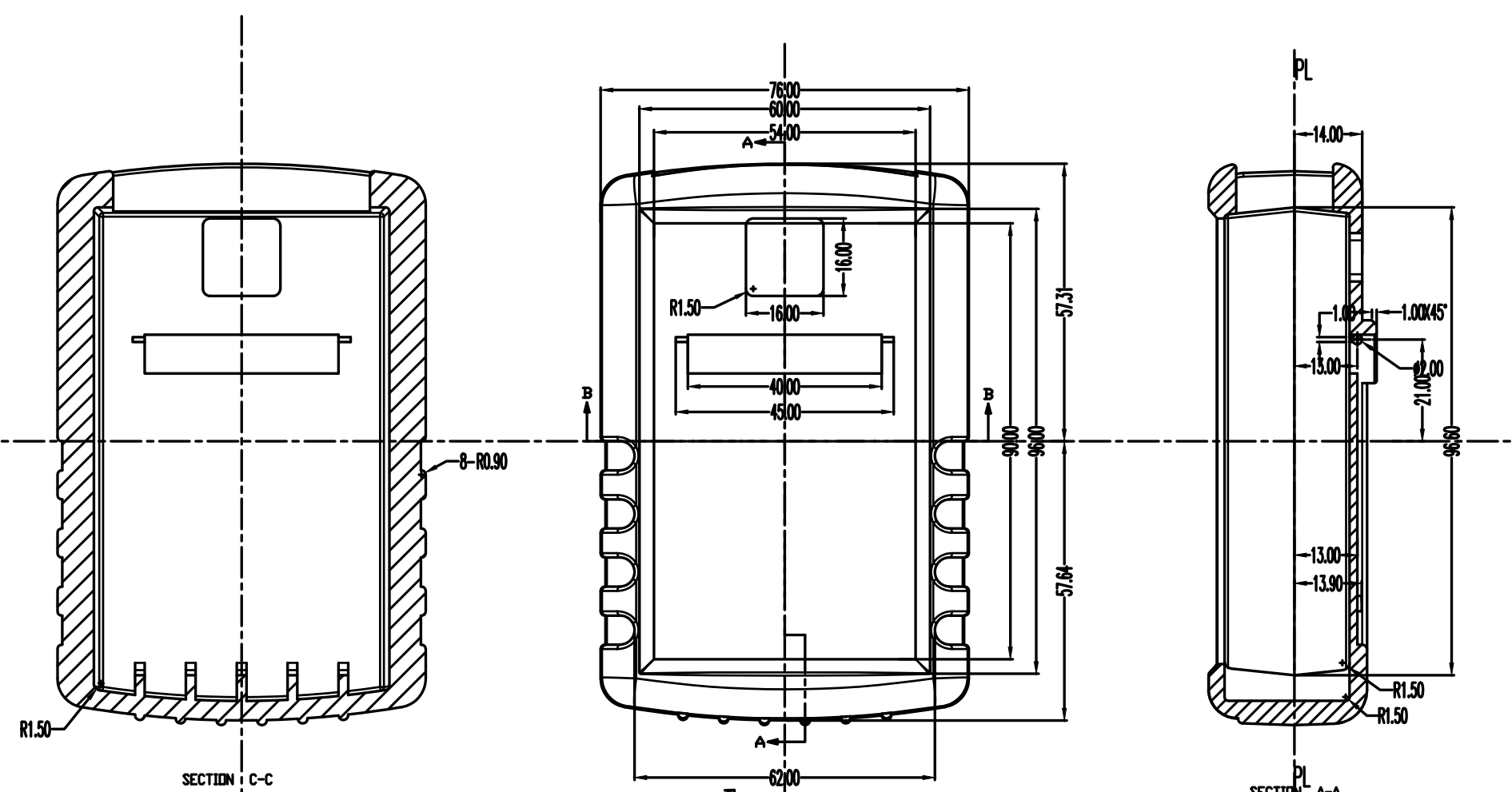
TOP



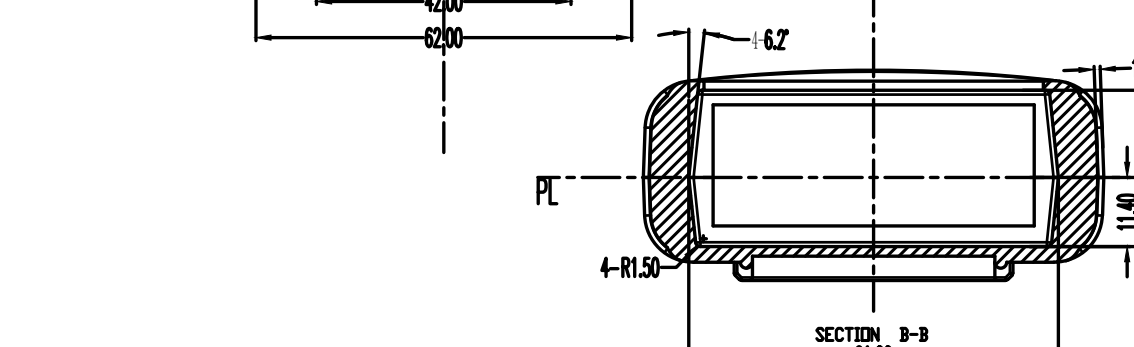
SECTION A-A



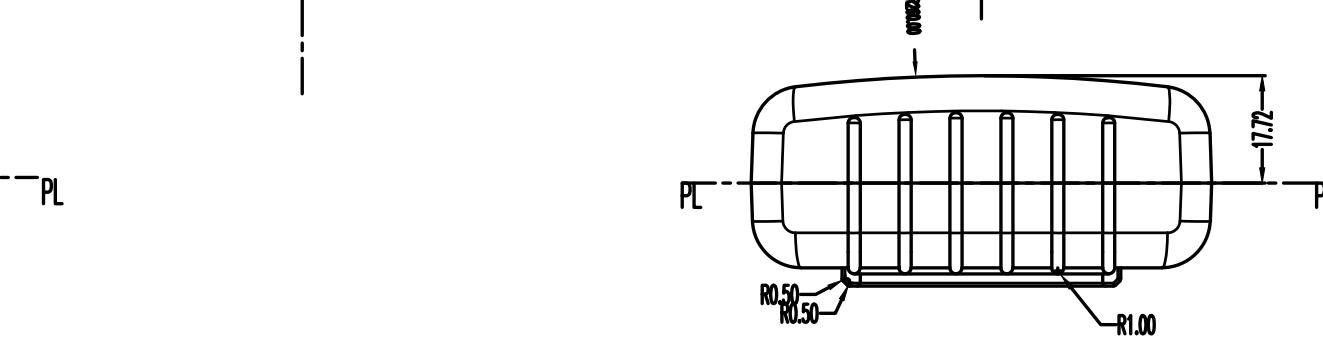
SECTION C-C



SECTION A-A



SECTION B-B



SECTION A-A



ENCLOSING ELECTRONICS ONE BOX AT A TIME

ENCLOSURES & ASSEMBLY SERVICES

Title MASTER DRAWING

Material:

Finish:

Proj.

TOLERANCE
all dimension in mm
unless otherwise specified.
x ±0.20
.x ±0.10
.xx ±0.05
ANGLE ±0.5°

Color:

Qty:

A4

Sheet 1 of 1

Revision:

Model: 40-SERIES

Part No.:

Drn. Date
RFK 10/18/19

Chk. Date

App. Date

THIS DRAWING IS THE PROPERTY OF AND MY EMBODY PROPRIETARY INFORMATION OWNED BY BOX ENCLOSURES. IT IS PROVIDED UNDER A RELATIONSHIP FOR A SPECIFIC PURPOSE. THE RECIPIENT AGREES TO USE IT ONLY FOR SUCH PURPOSE AND RETURN IT TO BOX ENCLOSURES UPON REQUEST.