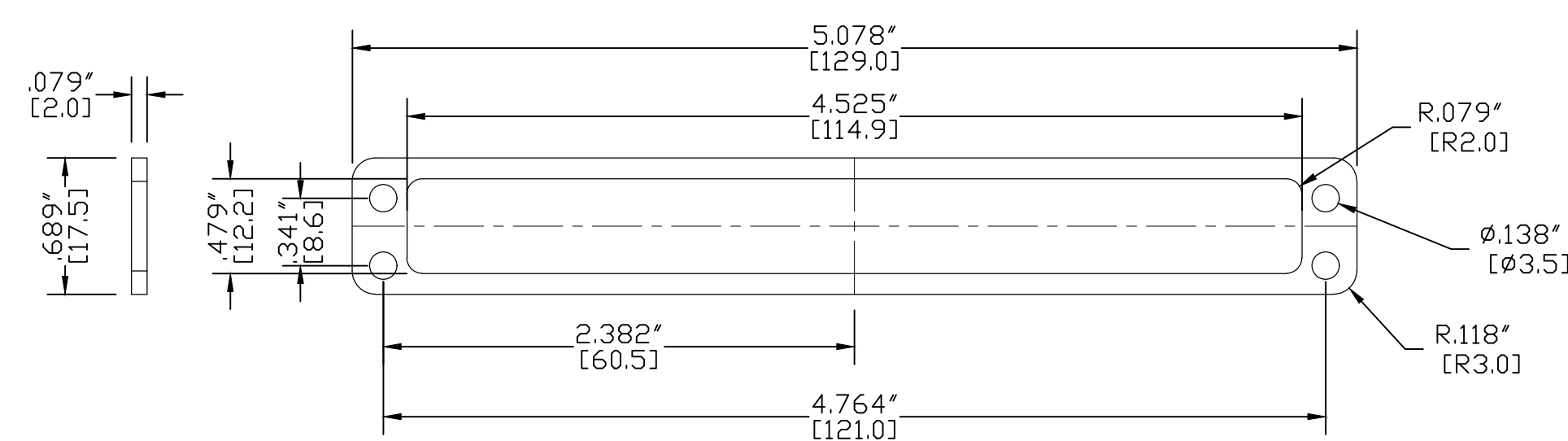
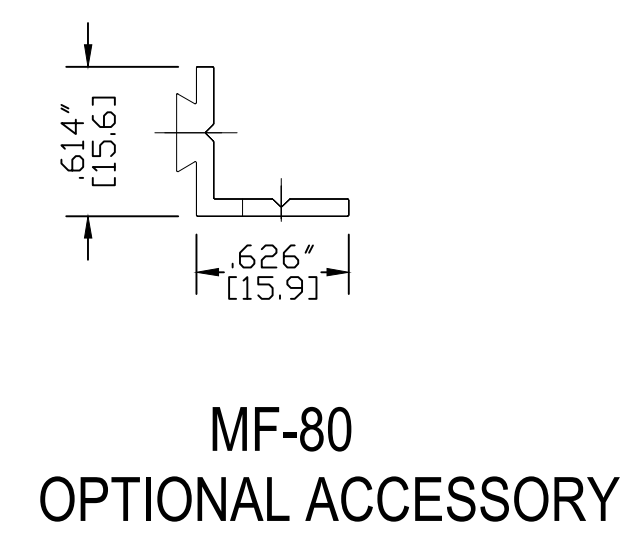
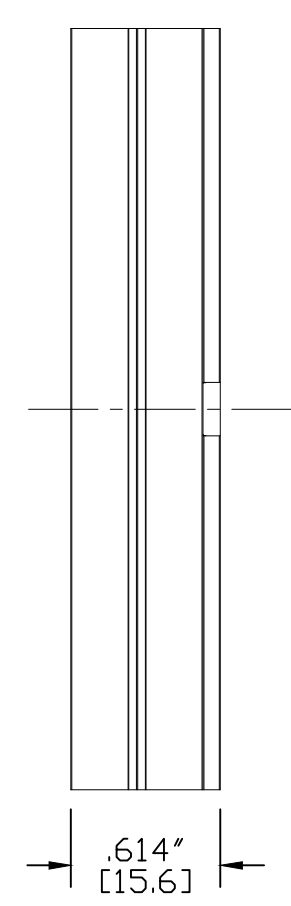
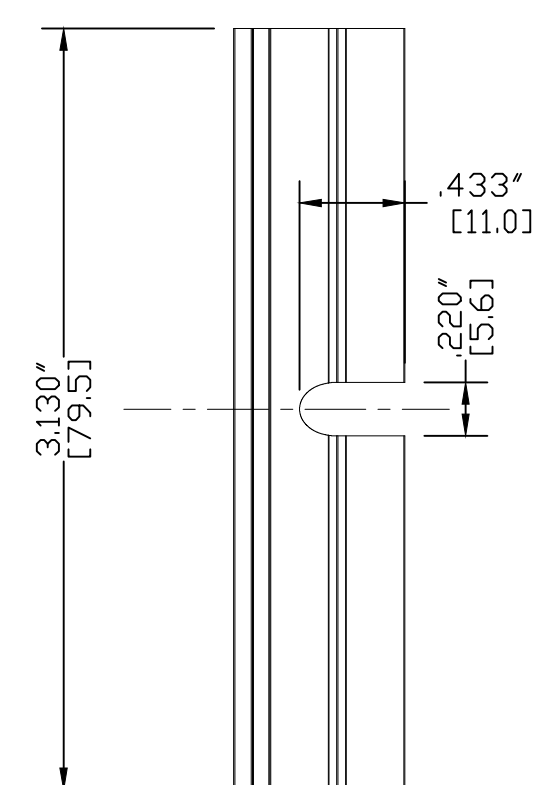


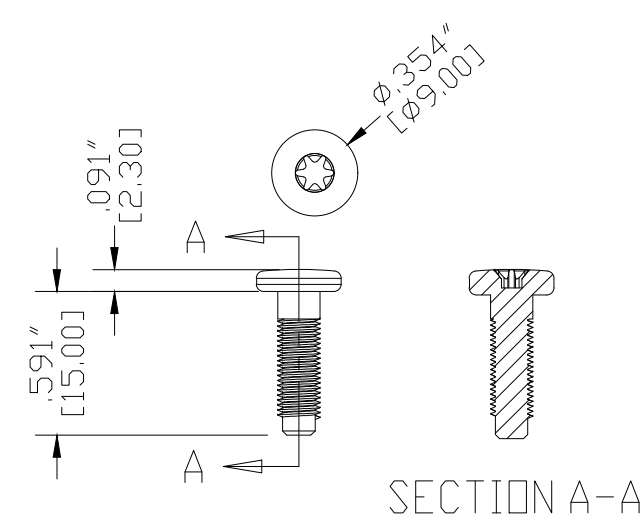
END PLATE



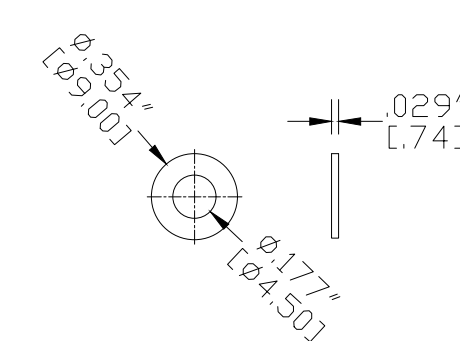
SK5S SEALING KIT
OPTIONAL ACCESSORY



MF-80
OPTIONAL ACCESSORY

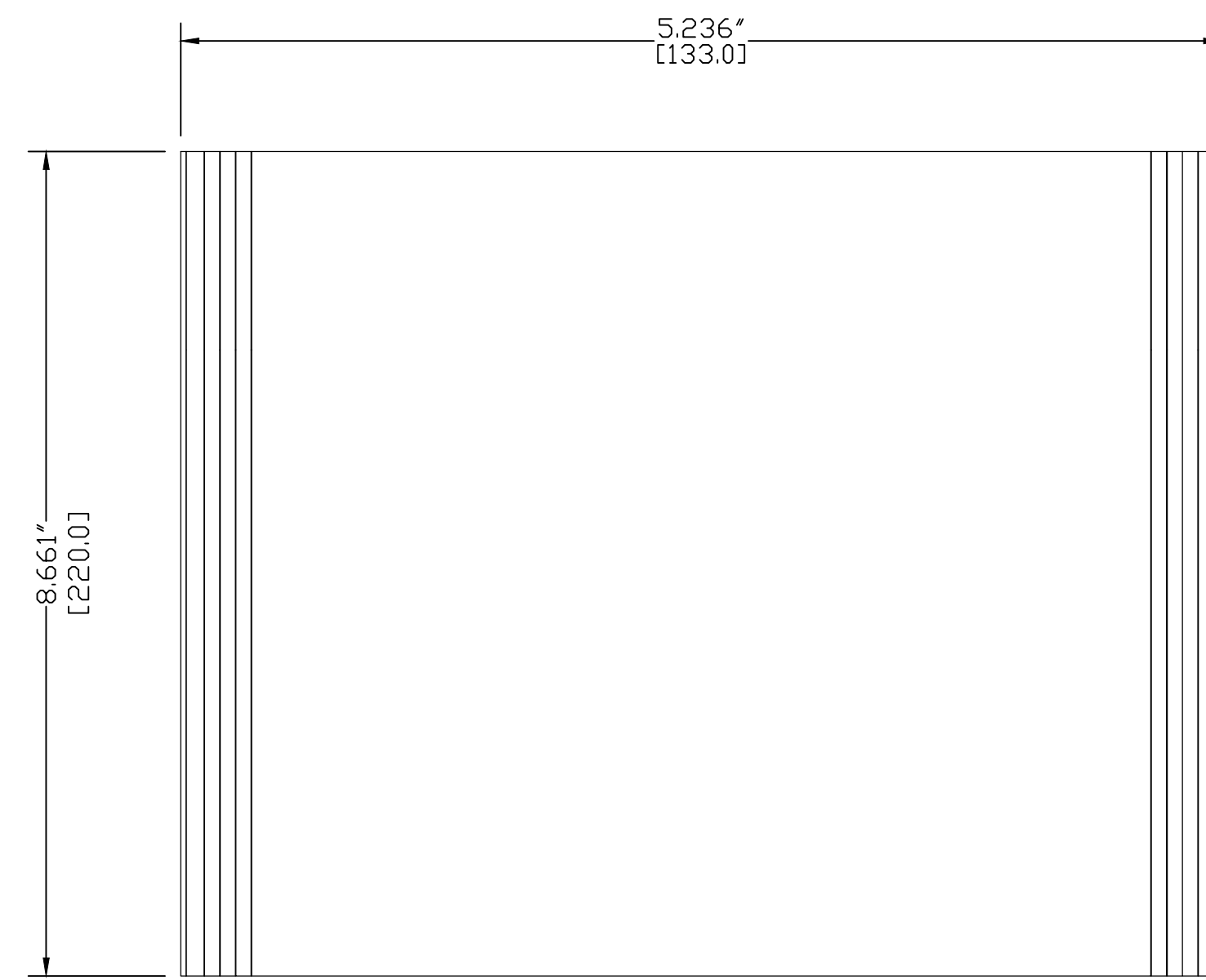


TORX HEAD SCREW

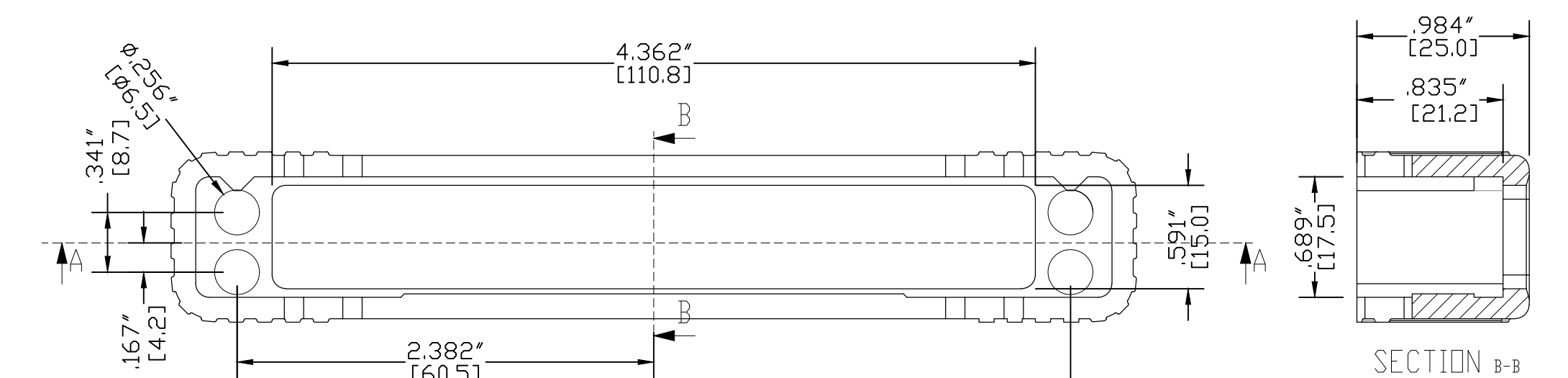
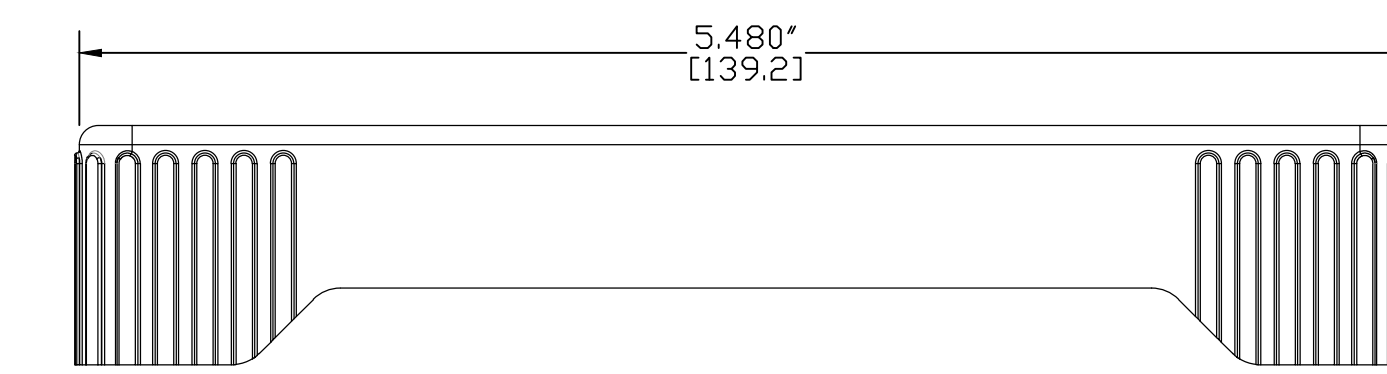
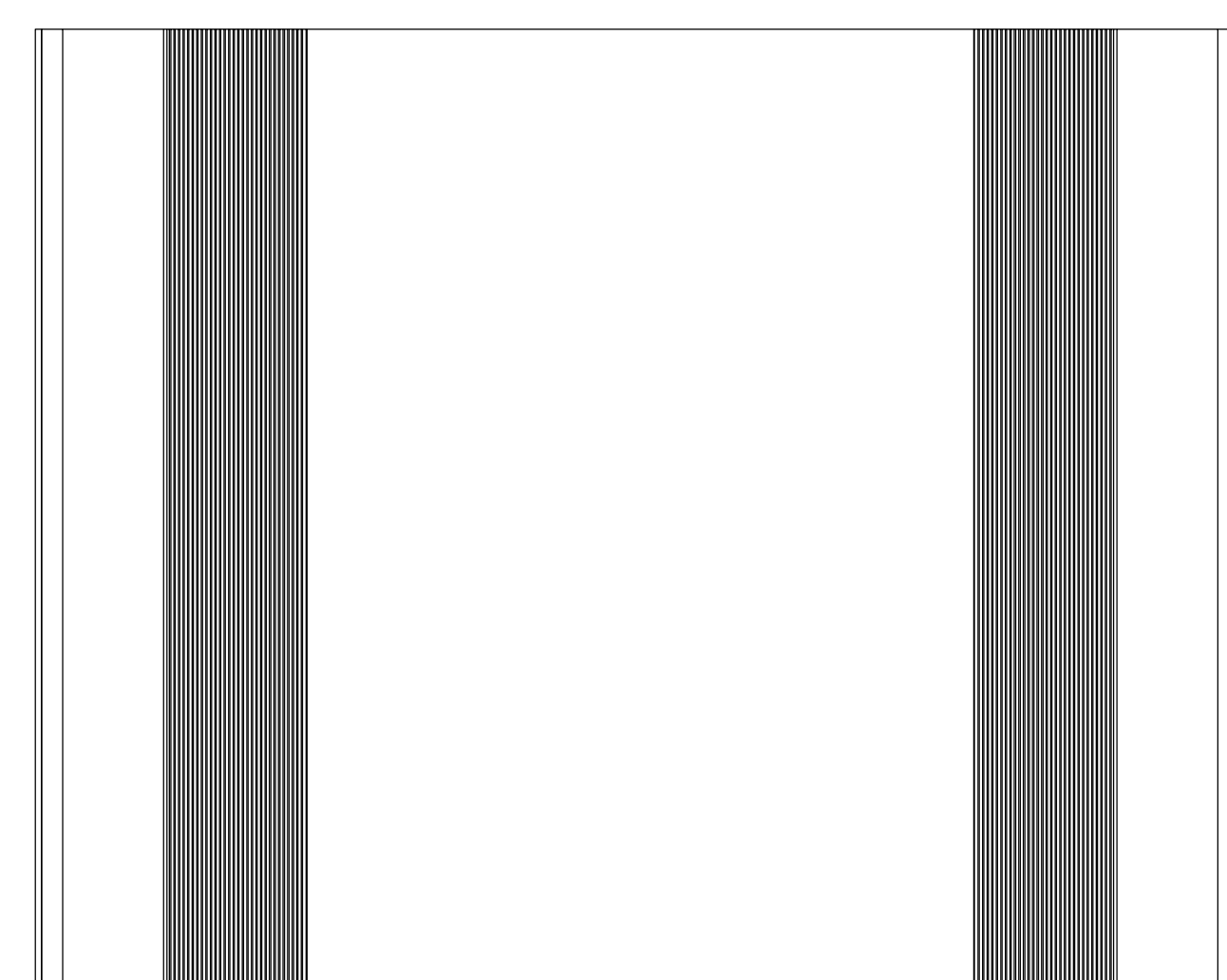
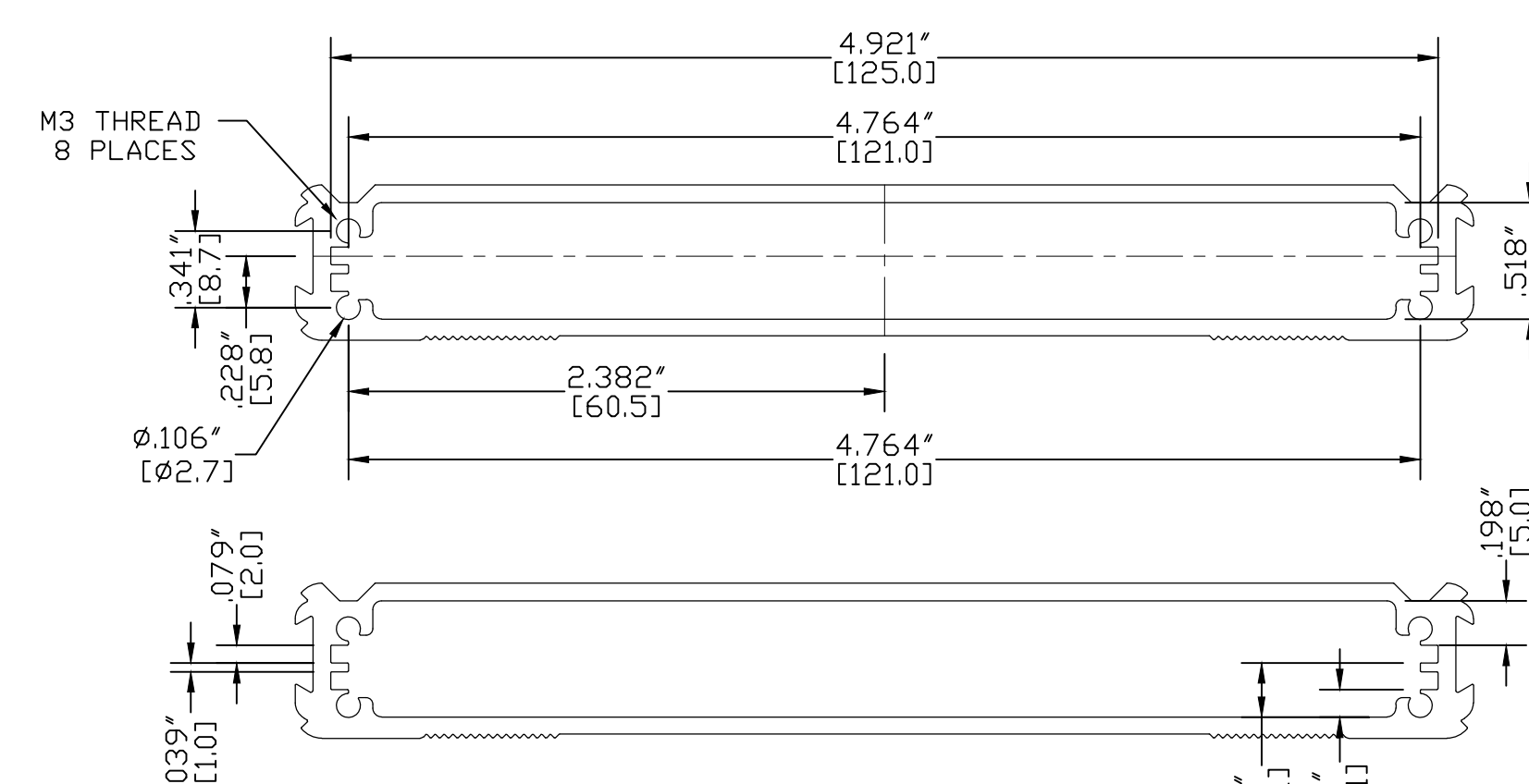


SEALING WASHER

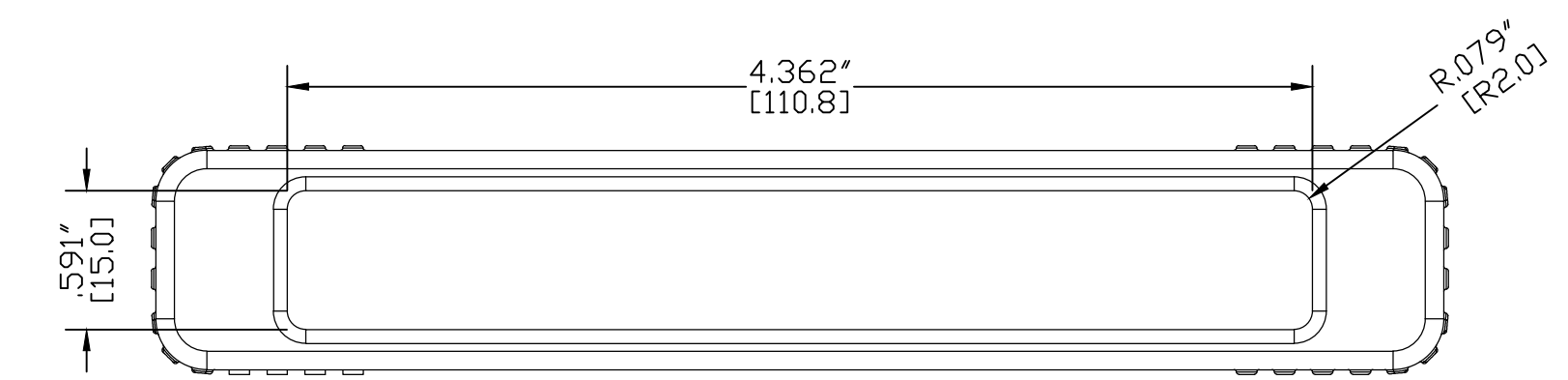
MF-40
OPTIONAL ACCESSORY



ENCLOSURE PROFILE



SECTION B-B



EC5S-END CAP
OPTIONAL ACCESSORY

Mounting Flanges
Optional Accessory
(Sold Individually)

40 mm Mounting Flange Part #	Color
MF40-BK	Black
MF40-BL	Blue
MF40-GD	Gold
MF40-GR	Green
MF40-RD	Red
MF40-SI	Silver

COLOR LEGEND

Part #	Anodized Color
B5S-220 BK	Black
B5S-220 BL	Blue
B5S-220 GD	Gold
B5S-220 GR	Green
B5S-220 RD	Red
B5S-220 SI	Silver

80 mm Mounting Flange Part #	Color
MF80-BK	Black
MF80-BL	Blue
MF80-GD	Gold
MF80-GR	Green
MF80-RD	Red
MF80-SI	Silver

Optional End Caps (sold in pairs)

Part #	Color
EC-5SBK	Black
EC-5SBL	Blue
EC-5SGN	Green
EC-5SRD	Red
EC-5SGY	Gray

Sealing Kit - Optional Accessory

Part #	Description
SK-3	NEM 4/IP65 Sealing kit for ALL B-3 Series Enclosures

Title: B5S-220 MASTER DRAWING

Material: Aluminum 6063-T6(HE9)
Finish: Anodized BS 1615

DIMENSIONS ARE IN INCHES [MM]
TOLERANCES ARE
DECIMALS .X = ±.02
DECIMALS .XX = ±.01
DECIMALS .XXX = ±.005
ANGLES = ± 2°

Proj.

Dwg. No.: Part No.:

Color: Drn. Date
Rudy 9/10/2019

Qty: Chk. Date

Sheet App. Date
of

Revision:
6.1

Model: