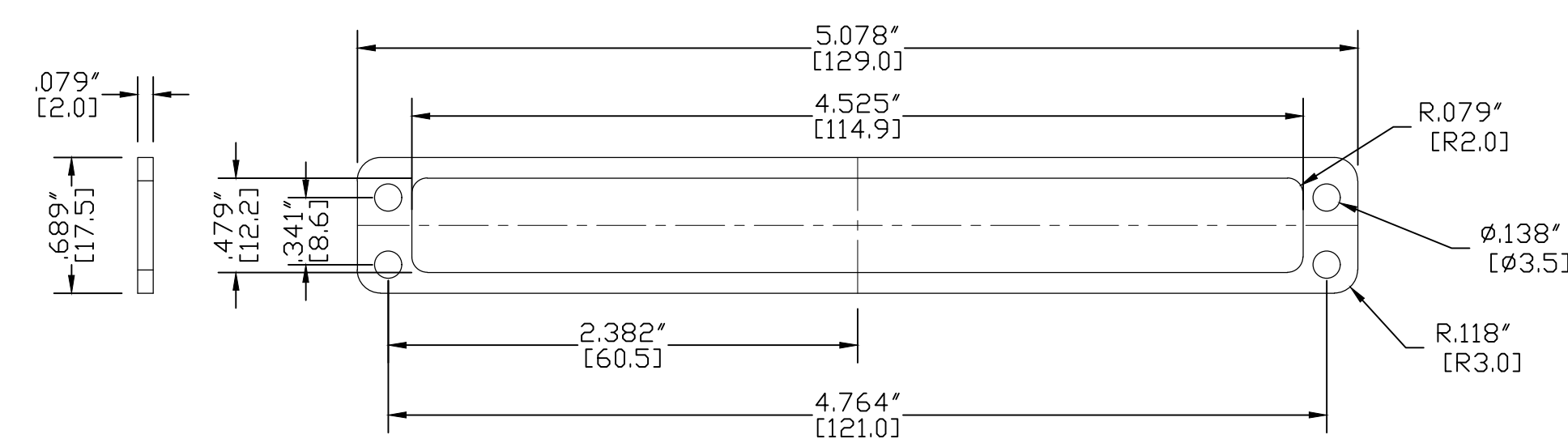
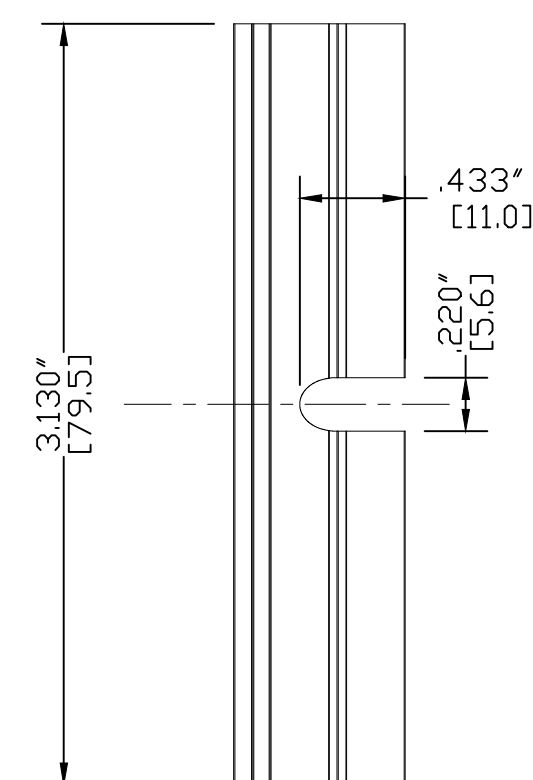


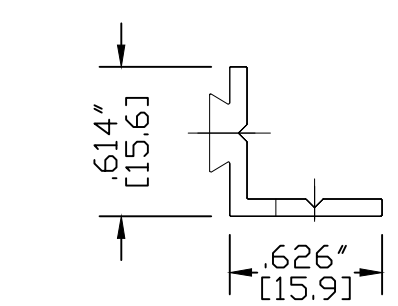
END PLATE



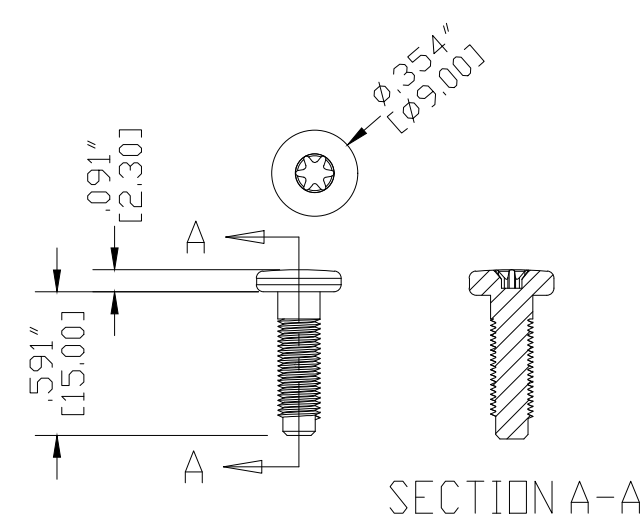
SK5S SEALING KIT
OPTIONAL ACCESSORY



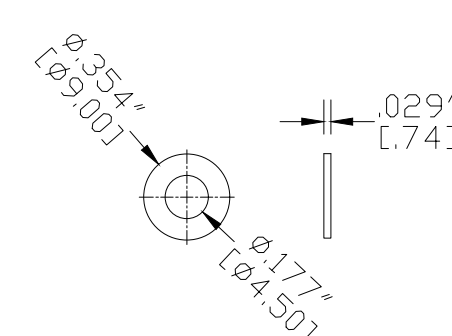
MF-80
OPTIONAL ACCESSORY



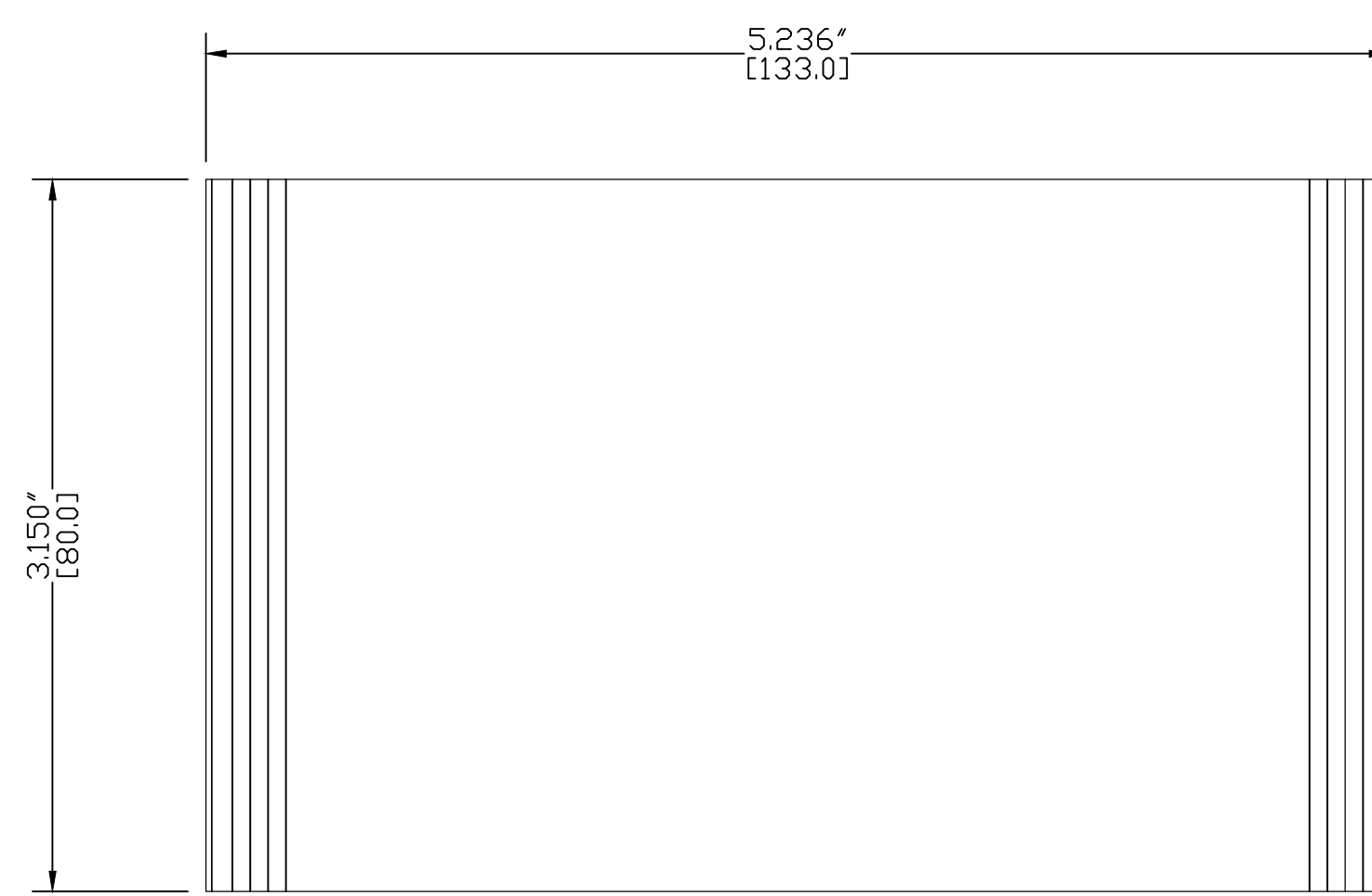
MF-40
OPTIONAL ACCESSORY



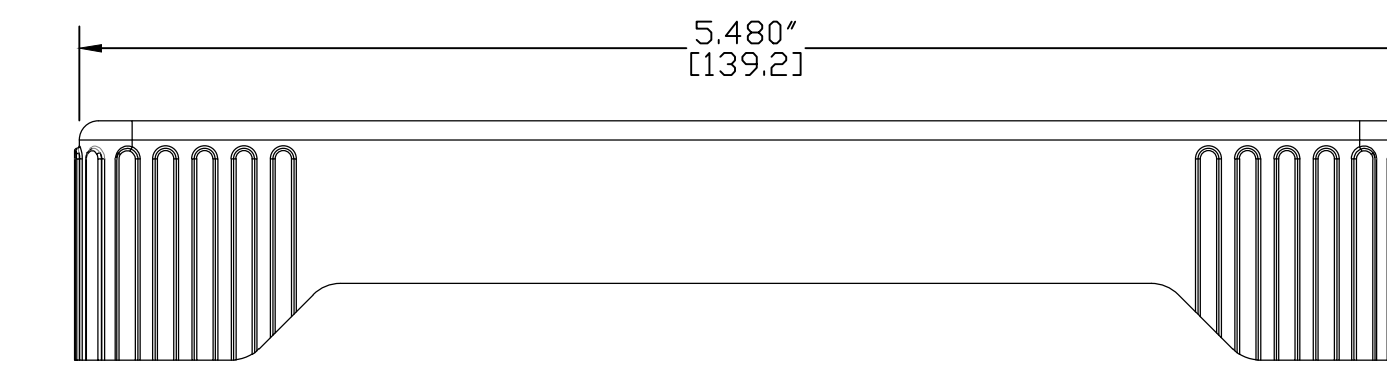
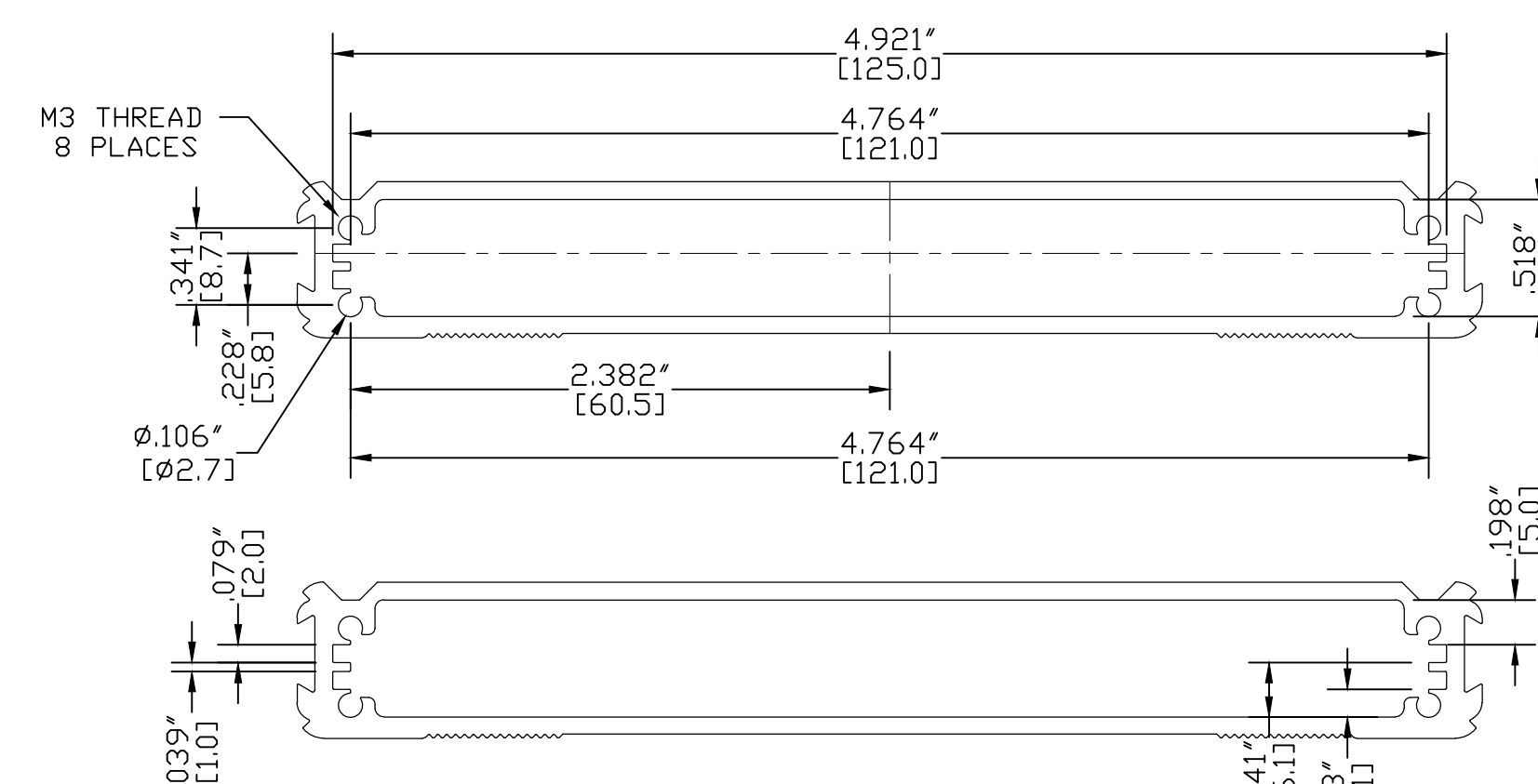
TORX HEAD SCREW



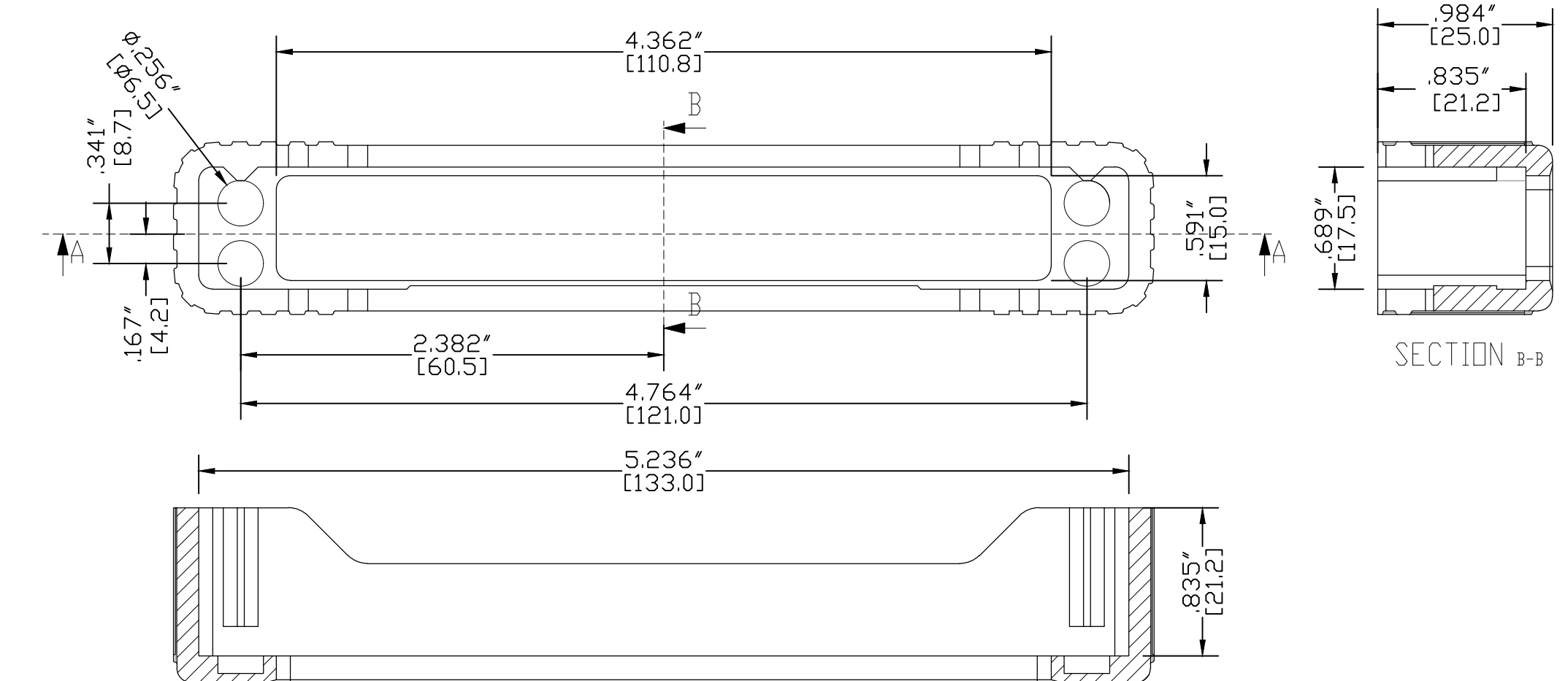
SEALING WASHER



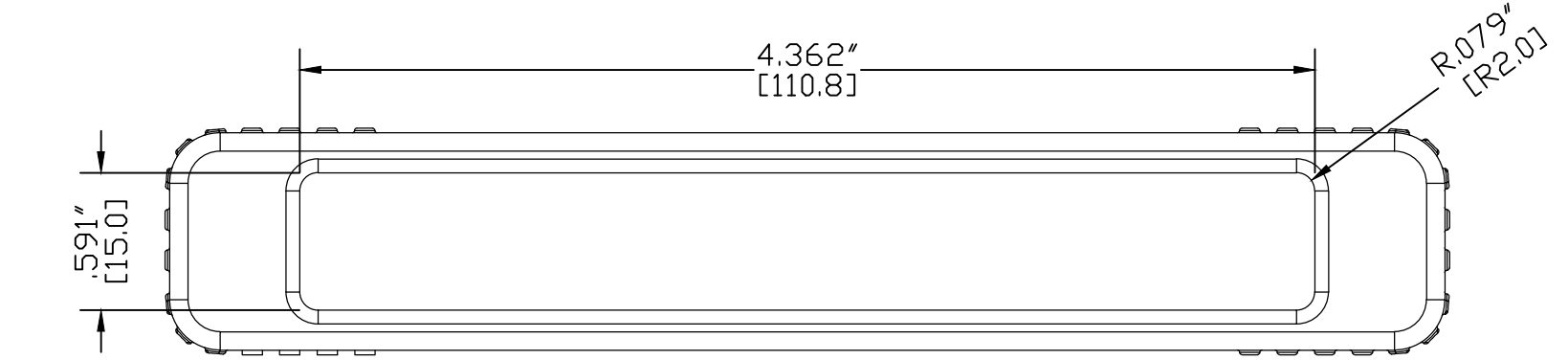
ENCLOSURE PROFILE



SECTION B-B



EC5S-END CAP
OPTIONAL ACCESSORY



Optional End Caps (sold in pairs)

Part #	Color
EC-5SBK	Black
EC-5SBL	Blue
EC-5SGN	Green
EC-5SRD	Red
EC-5SGY	Gray

COLOR LEGEND		80 mm Mounting Flange Part #	
Part #	Anodized Color	Part #	Color
B5S-080 BK	Black	MF80-BK	Black
B5S-080 BL	Blue	MF80-BL	Blue
B5S-080 GD	Gold	MF80-GD	Gold
B5S-080 GR	Green	MF80-GR	Green
B5S-080 RD	Red	MF80-RD	Red
B5S-080 SI	Silver	MF80-SI	Silver

Mounting Flanges
Optional Accessory
(Sold Individually)

Sealing Kit - Optional Accessory	
Part #	Description
SK-3	NEM 4/IP65 Sealing kit for ALL B-3 Series Enclosures

Title: B5S-080 MASTER DRAWING		Dwg. No.:	Part No.:
Material: Aluminum 6063-T6(HE9)	DIMENSIONS ARE IN INCHES [MM] TOLERANCES ARE DECIMALS .X = ±.02 DECIMALS .XX = ±.01 DECIMALS .XXX = ±.005 ANGLES = ± 2°	Color:	Drn. Date Rudy 9/10/2019
Finish: Anodized BS 1615		Qty:	Chk. Date
Proj.		Sheet	App. Date of

Revision:
6.1

Model: