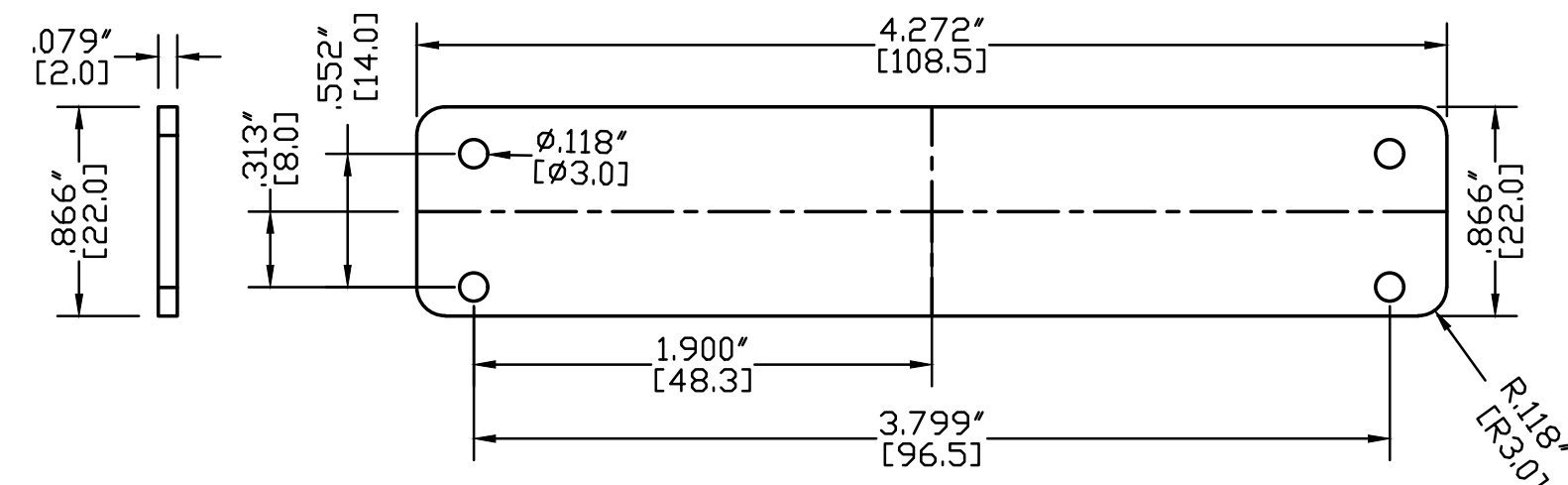
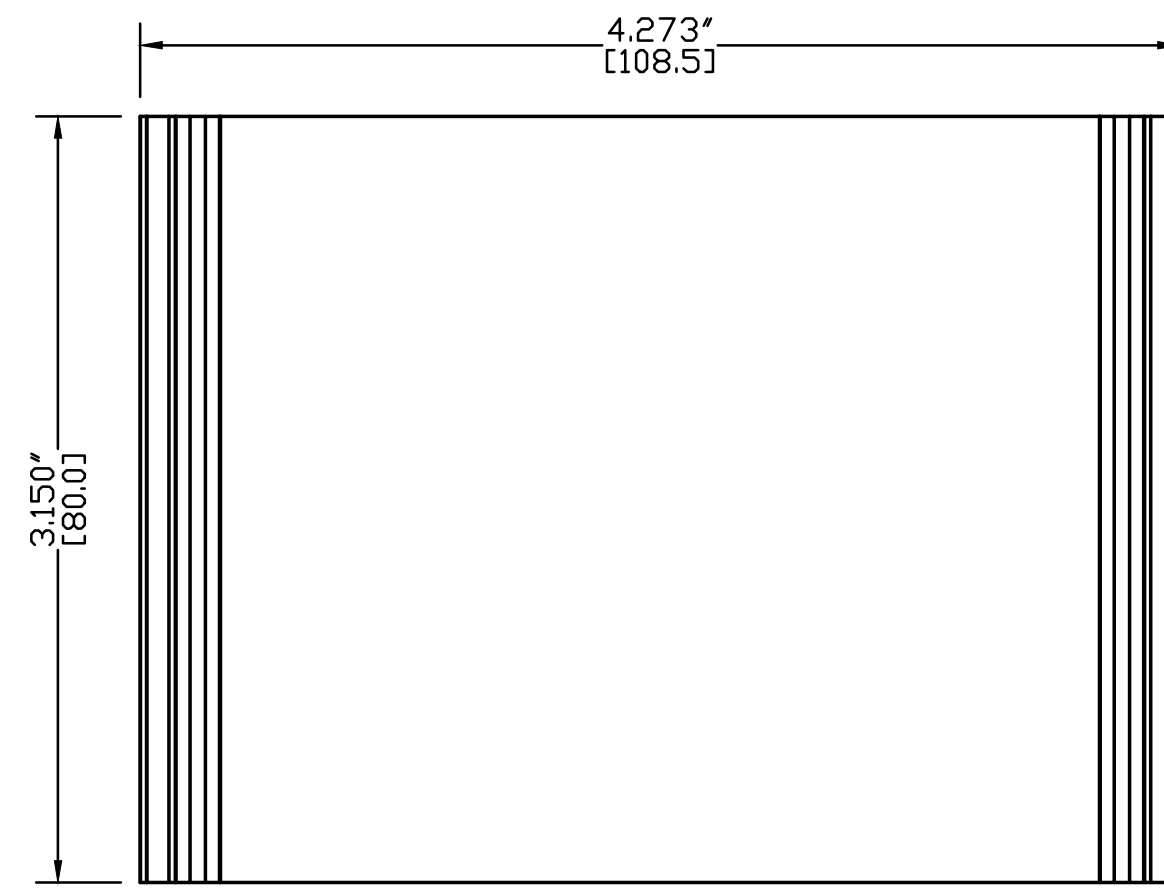


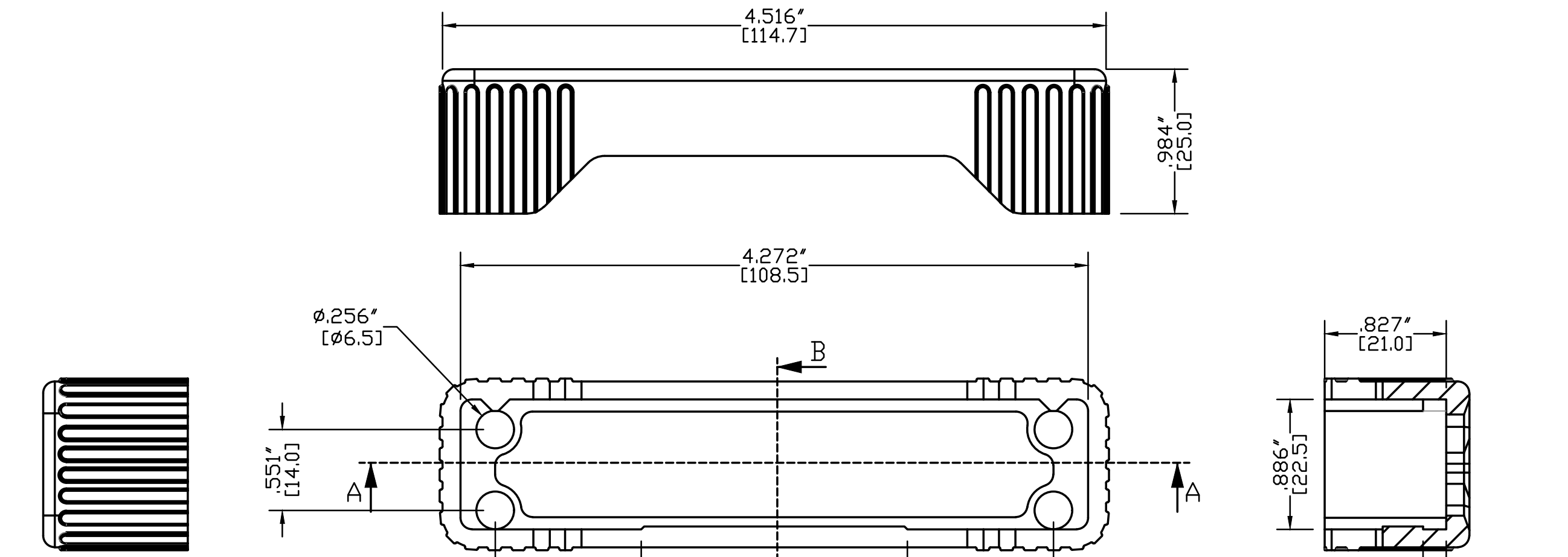
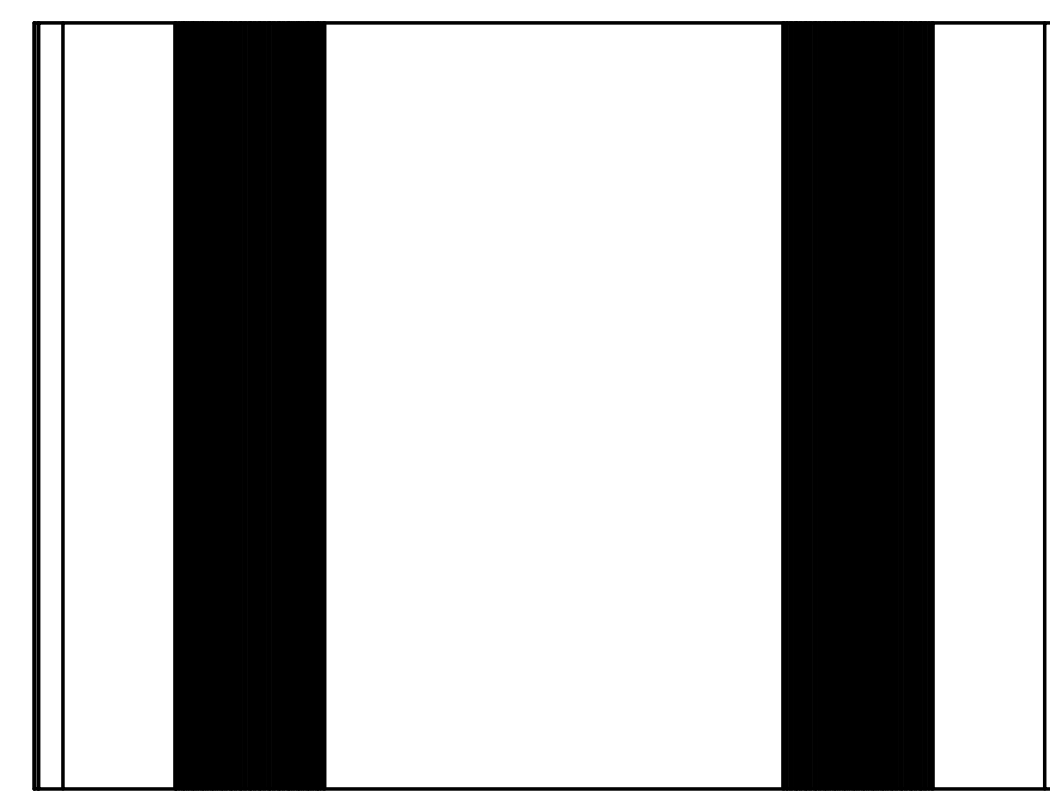
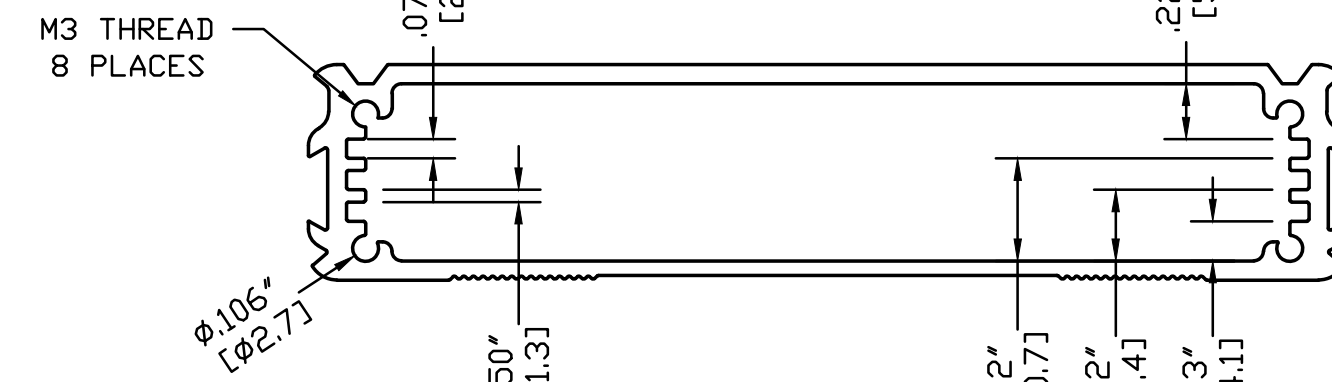
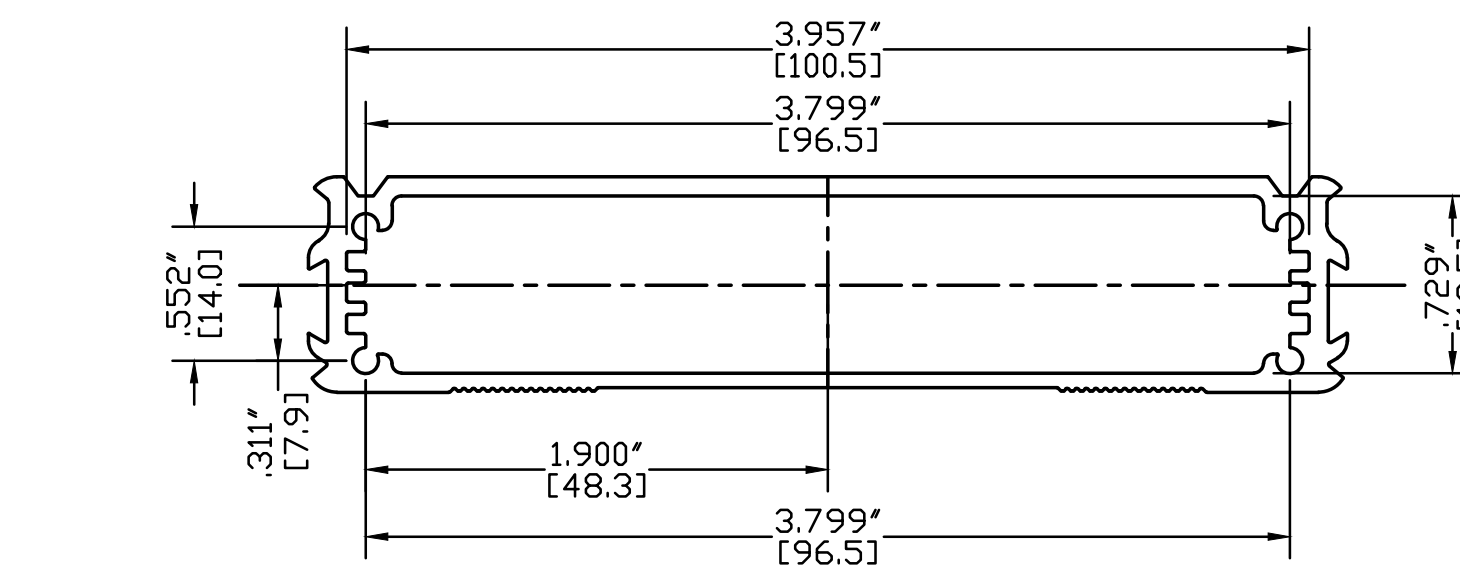
SK3S SEALING KIT  
OPTIONAL ACCESSORY



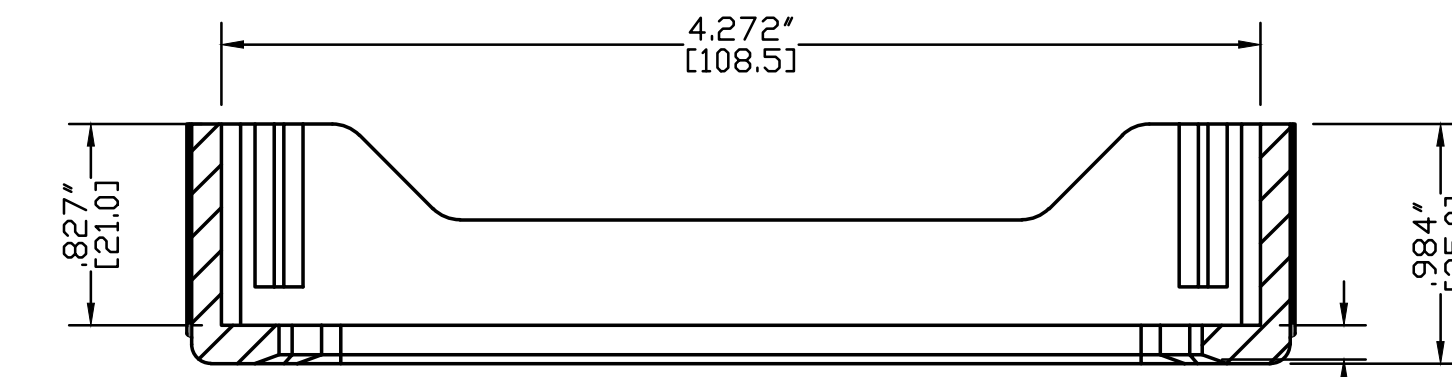
END PLATE



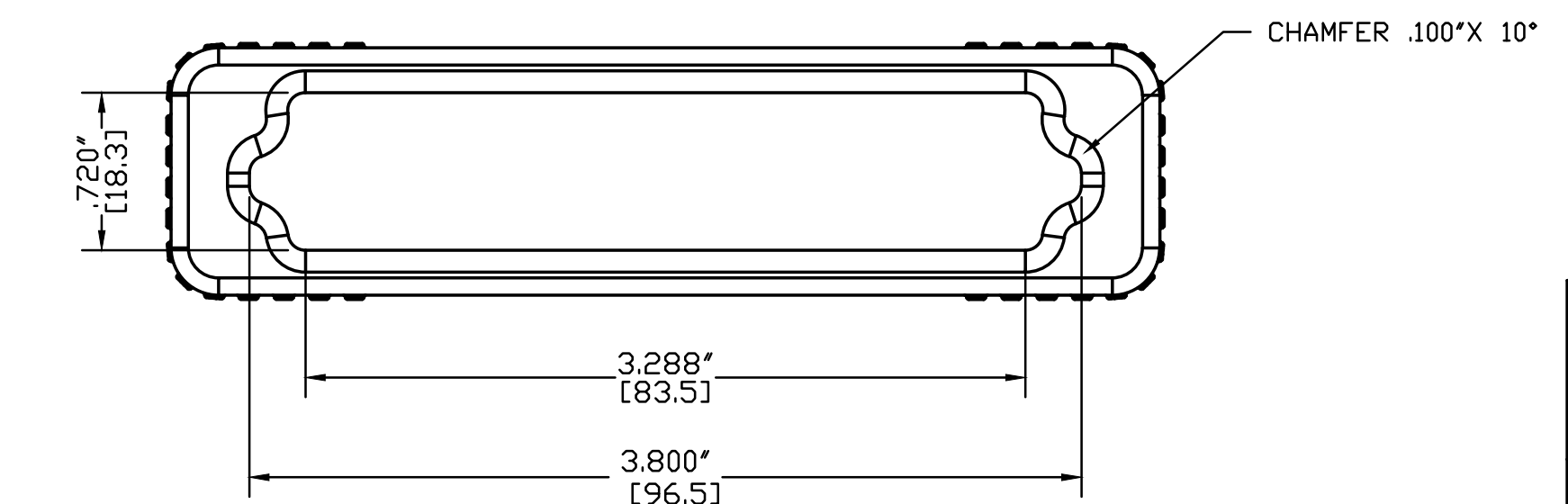
ENCLOSURE PROFILE



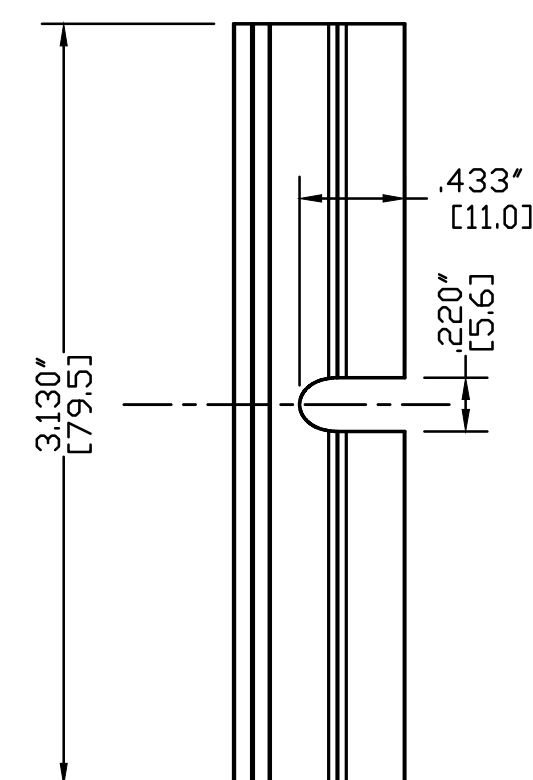
SECTION B-B



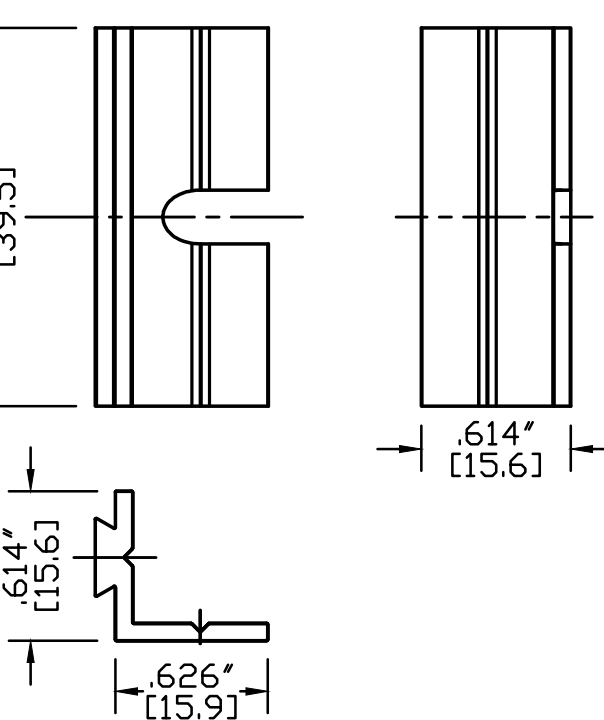
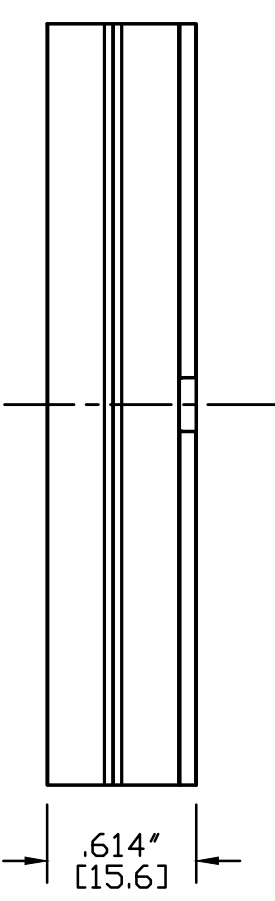
SECTION A-A



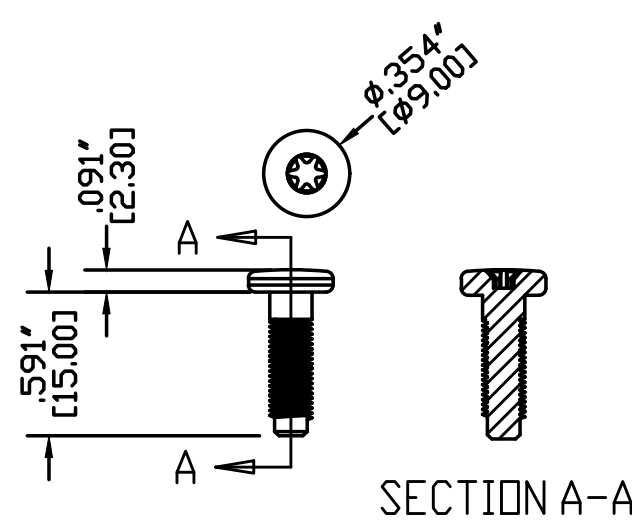
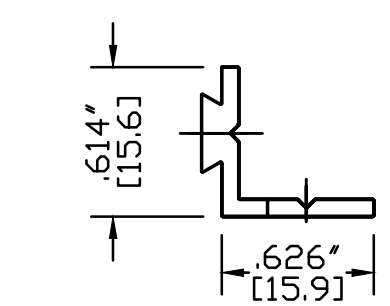
EC3S-END CAP  
OPTIONAL ACCESSORY



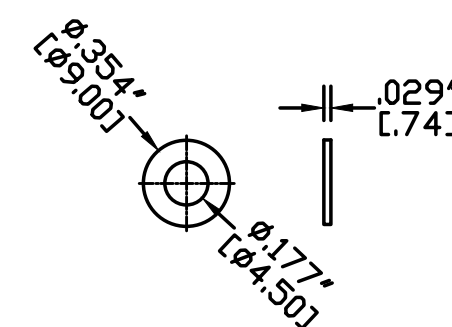
MF-80  
OPTIONAL ACCESSORY



MF-40  
OPTIONAL ACCESSORY



TORX HEAD SCREW



SEALING WASHER

Mounting Flanges  
Optional Accessory  
(Sold individually)

40 mm Mounting Flange Part #	Color
MF40-BK	Black
MF40-BL	Blue
MF40-GD	Gold
MF40-GR	Green
MF40-RD	Red
MF40-SI	Silver

COLOR LEGEND			
Part #	Anodized Color	80 mm Mounting Flange Part #	Color
B3S-080 BK	Black	MF80-BK	Black
B3S-080 BL	Blue	MF80-BL	Blue
B3S-080 GD	Gold	MF80-GD	Gold
B3S-080 GR	Green	MF80-GR	Green
B3S-080 RD	Red	MF80-RD	Red
B3S-080 SI	Silver	MF80-SI	Silver

Optional End Caps (sold in pairs)	
Part #	Color
EC-3SBK	Black
EC-3SBL	Blue
EC-3SGN	Green
EC-3SRD	Red
EC-3SGY	Gray

Sealing Kit - Optional Accessory	
Part #	Description
SK-3	NEM 4/IP65 Sealing kit for ALL B-3 Series Enclosures



Title: <b>B3S-080 MASTER DRAWING</b>		Dwg. No.:	Part No.:
Material: <b>Aluminum 6063-T6(HE9)</b>	DIMENSIONS ARE IN INCHES [MM] TOLERANCES ARE DECIMALS .X = ±.02 DECIMALS .XX = ±.01 DECIMALS .XXX = ±.005 ANGLES = ± 2°	Color:	Drn. Date <b>Rudy 8/30/2019</b>
Finish: <b>Anodized BS 1615</b>		Qty:	Chk. Date
Proj.	Sheet	App. Date	of

Revision:  
6.1

Model: