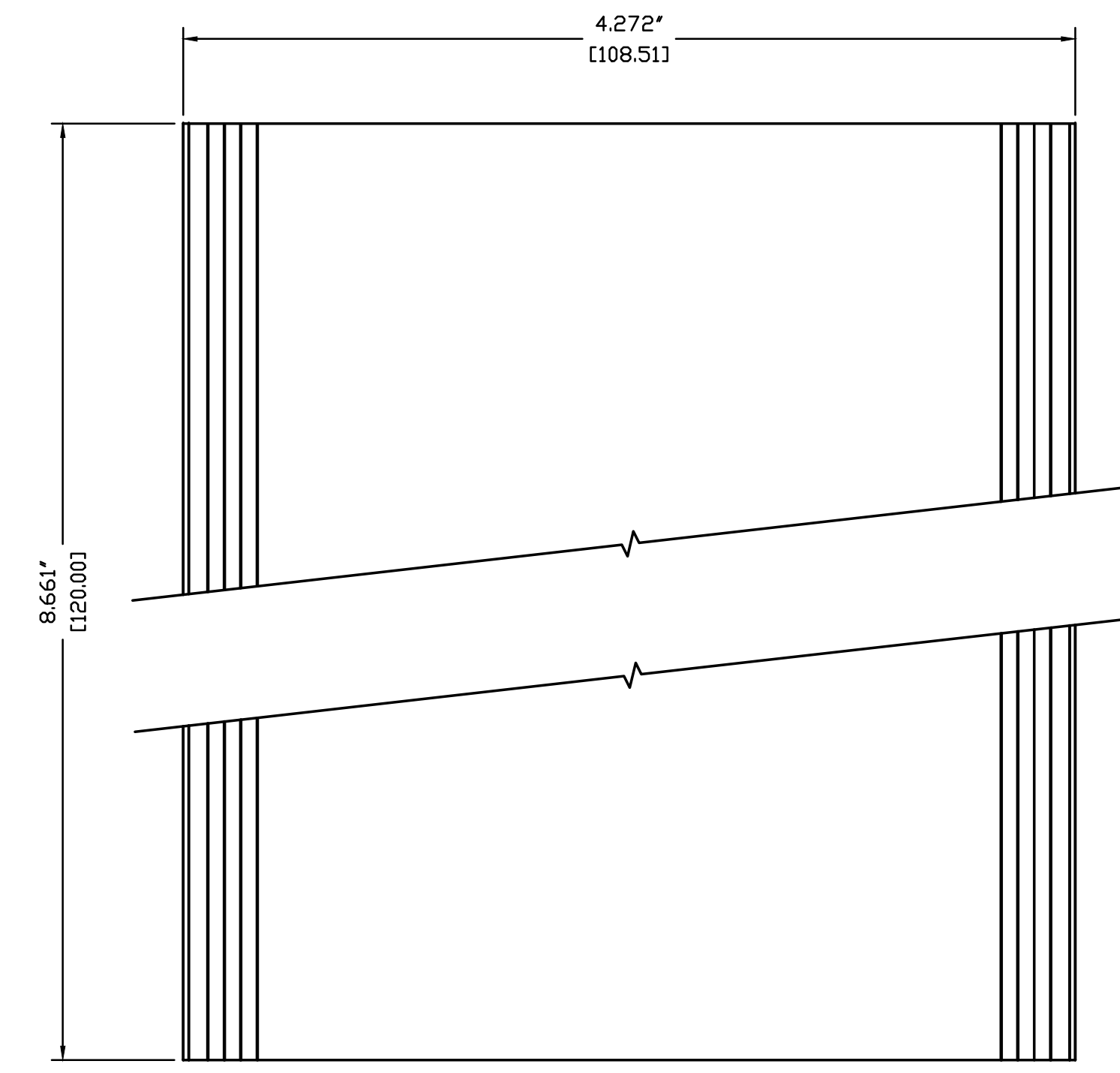
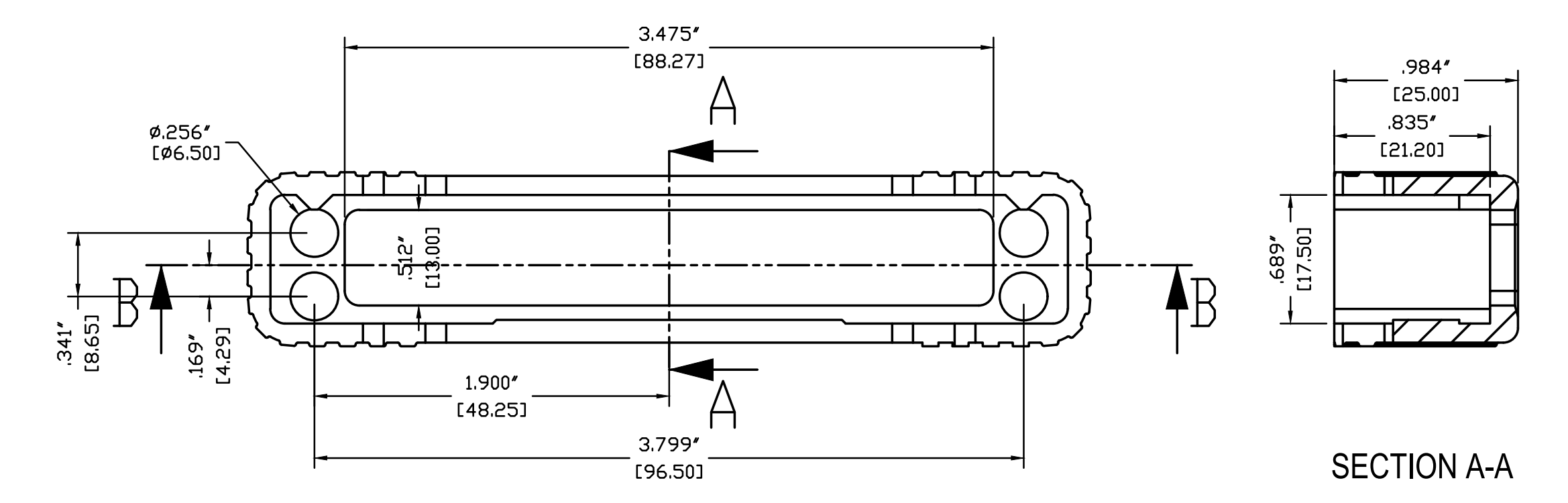
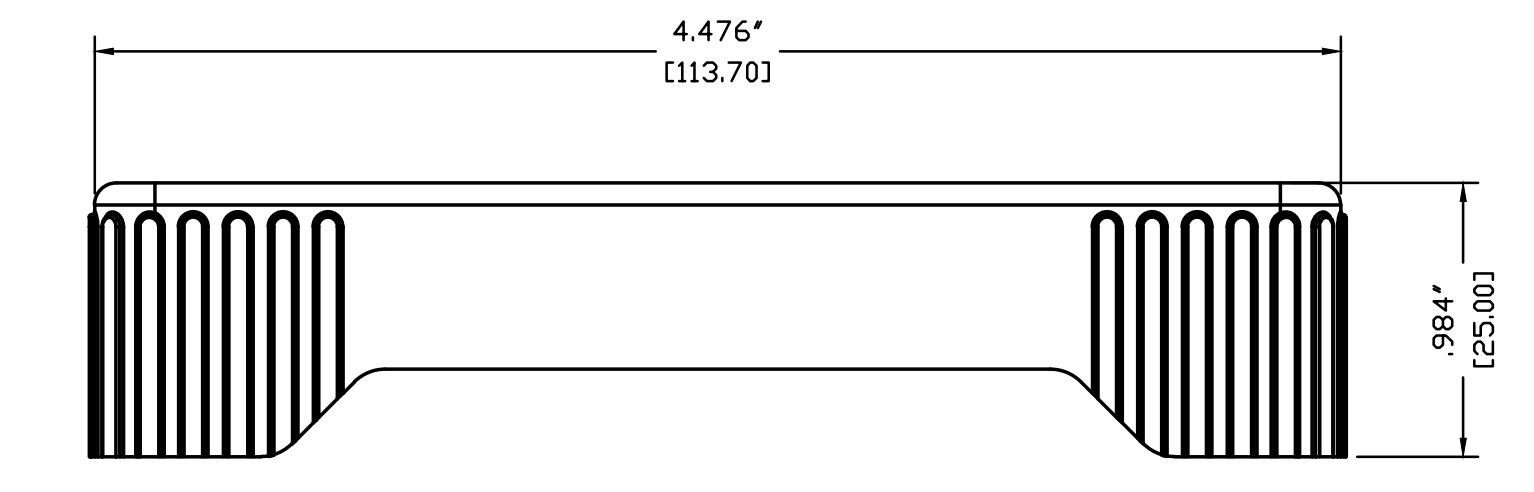
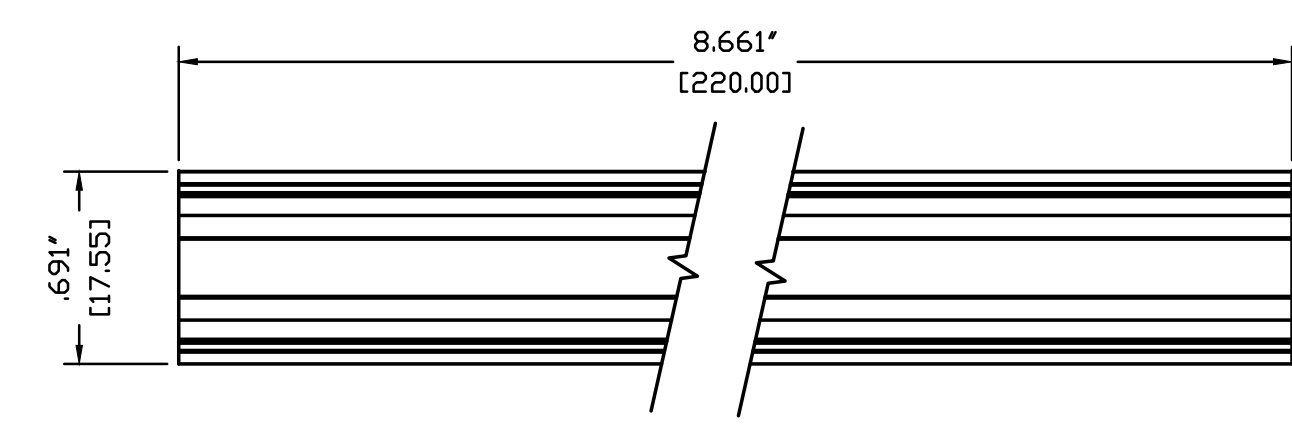
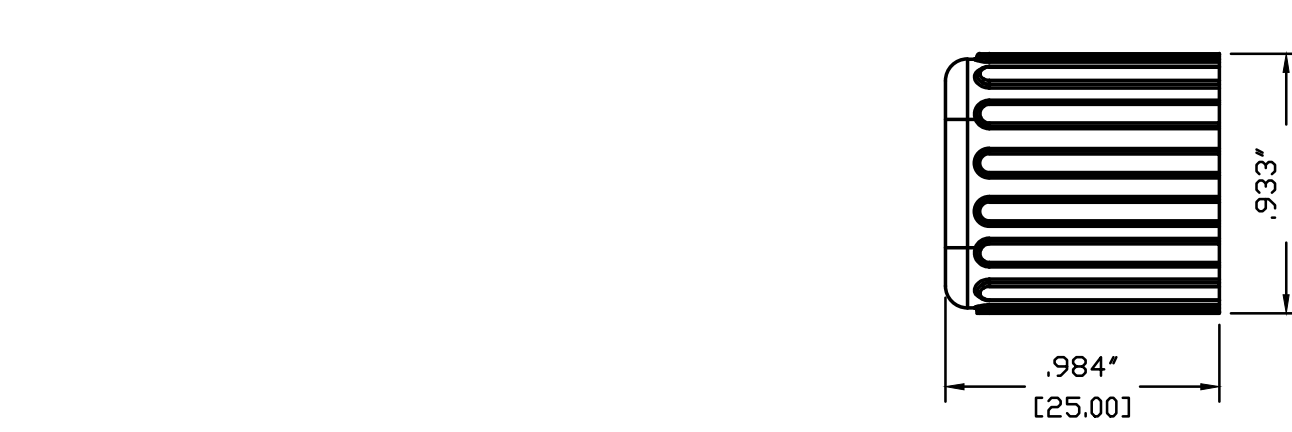
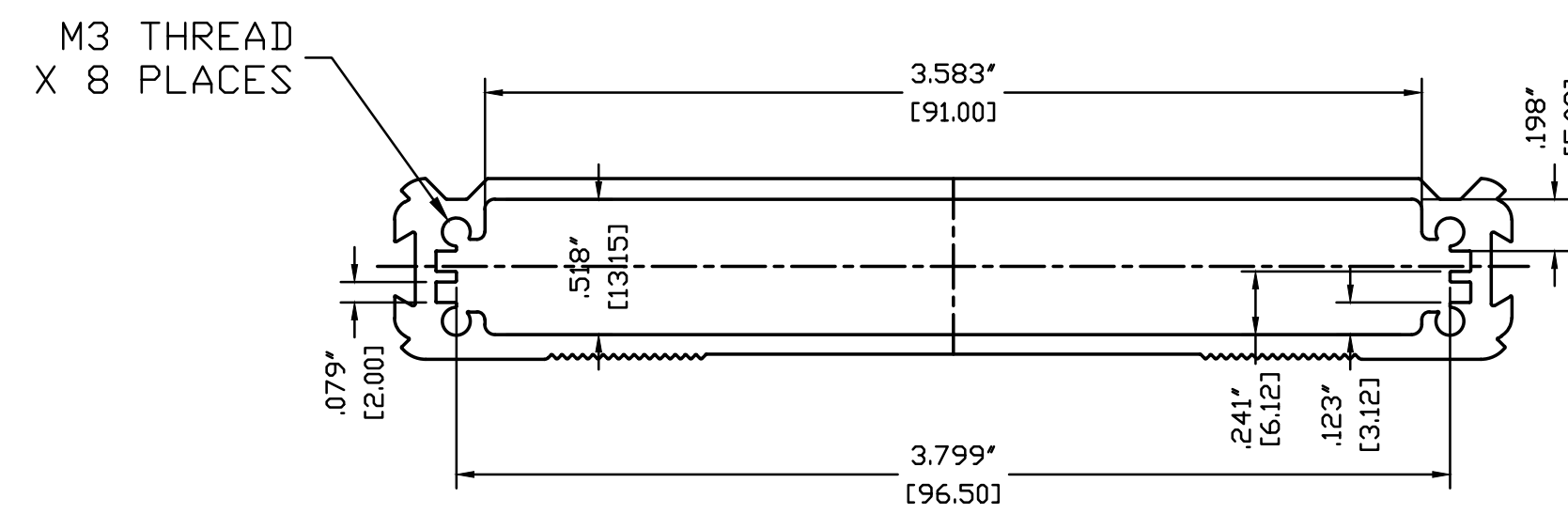
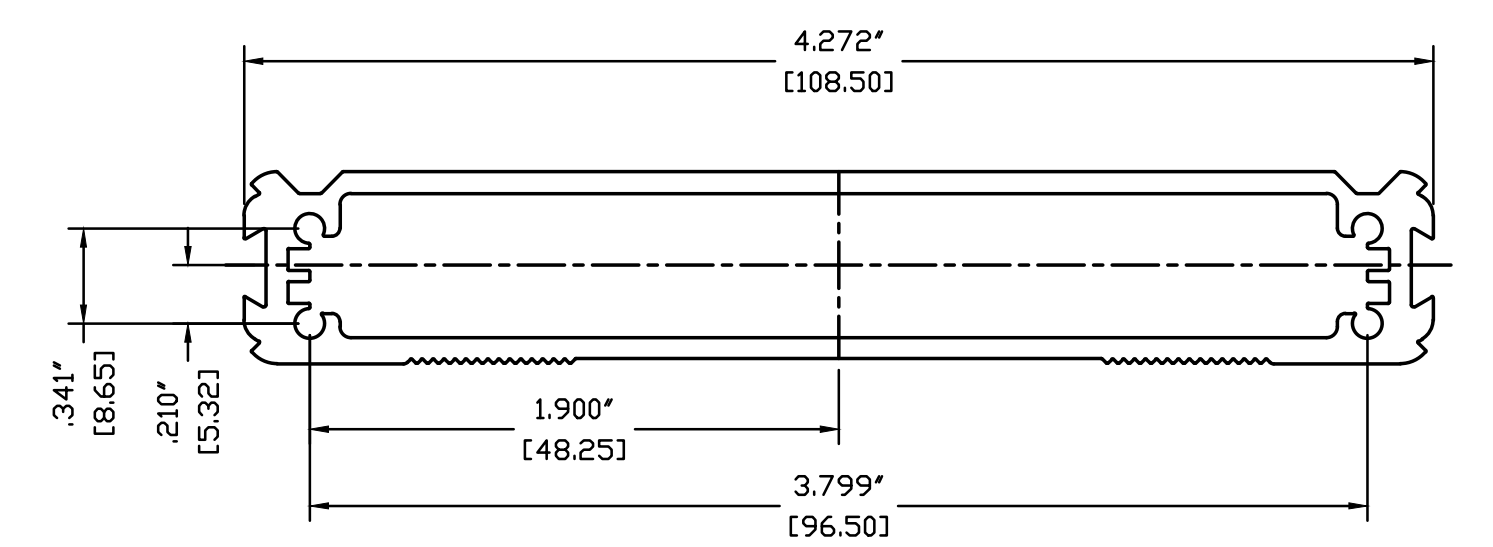


END PLATE

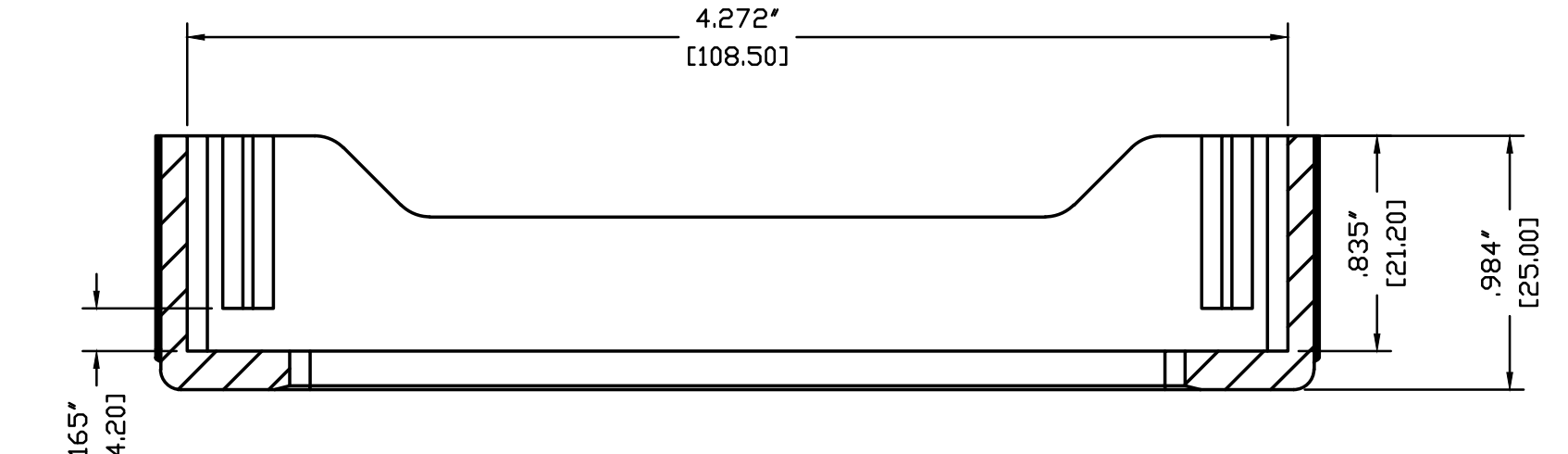
SK-2S SEALING KIT
 OPTIONAL ACCESSORY



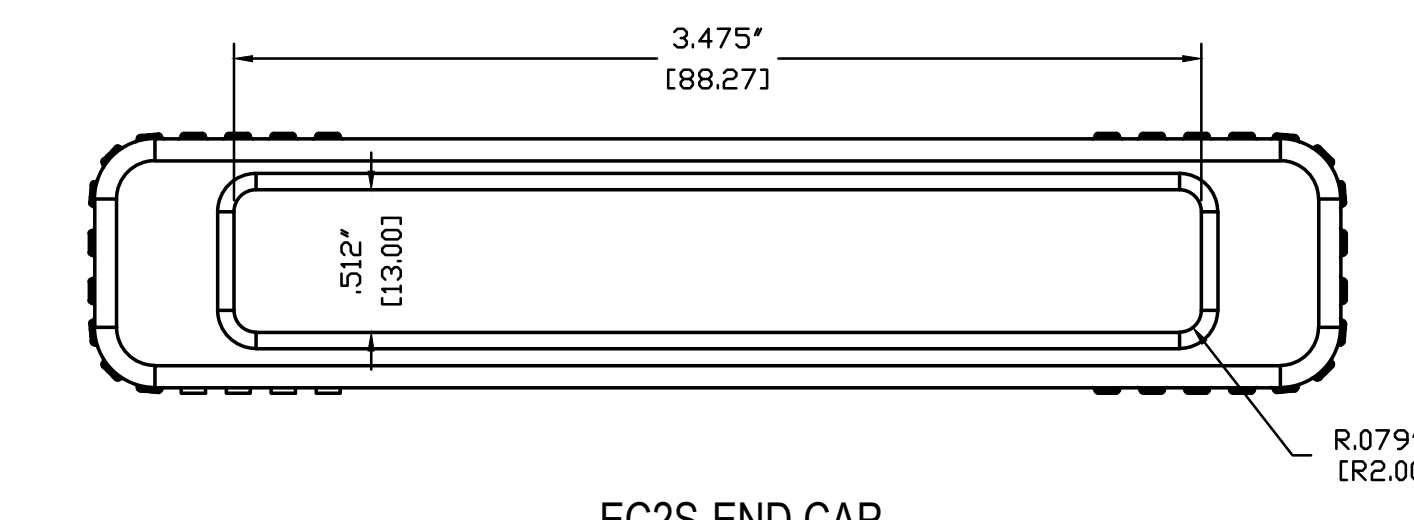
ENCLOSURE PROFILE



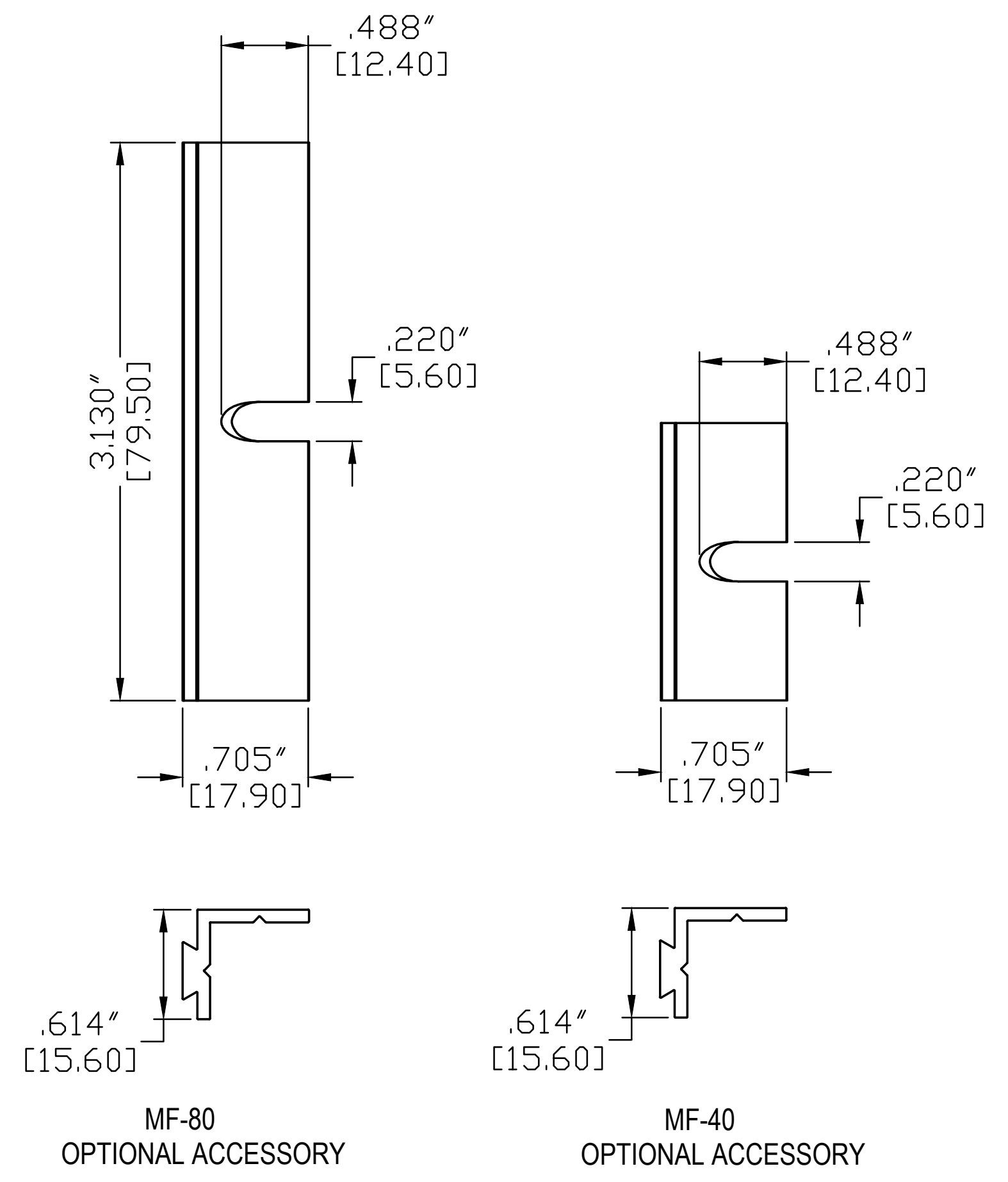
SECTION A-A



SECTION B-B

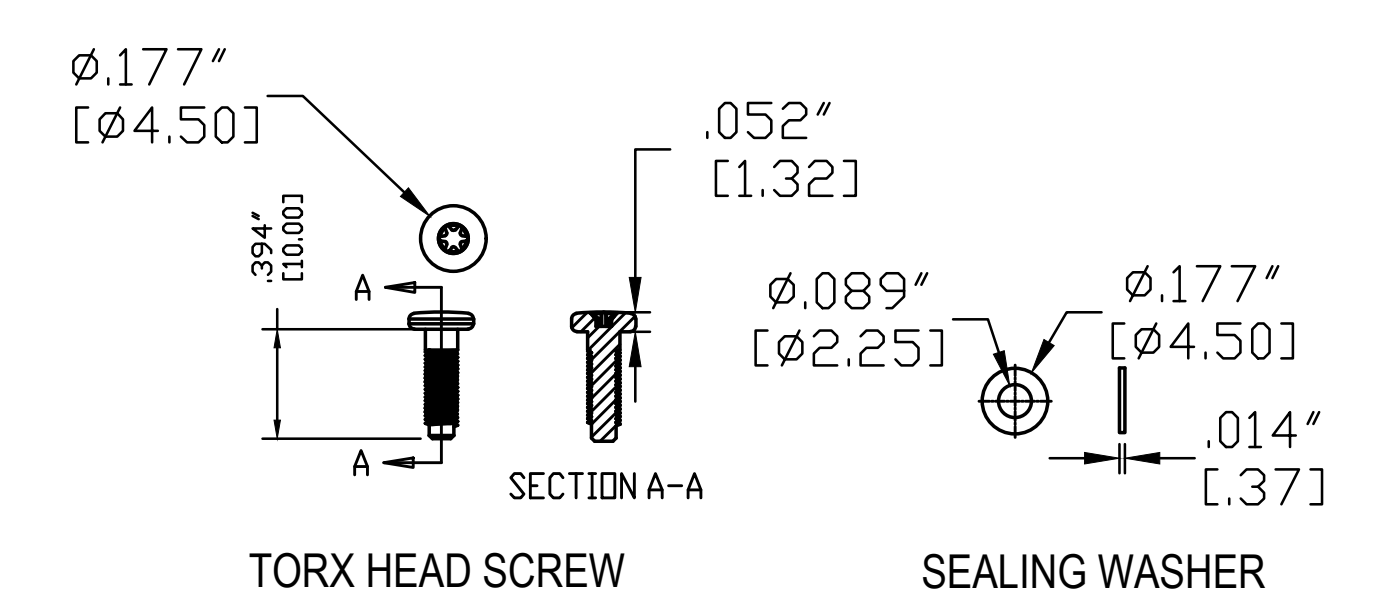


EC2S-END CAP
 OPTIONAL ACCESSORY



MF-80
 OPTIONAL ACCESSORY

MF-40
 OPTIONAL ACCESSORY



TORX HEAD SCREW

SEALING WASHER

Mounting Flanges
 Optional Accessory
 (Sold individually)

40 mm Mounting Flange Part #	Color
MF40-BK	Black
MF40-BL	Blue
MF40-GD	Gold
MF40-GR	Green
MF40-RD	Red
MF40-SI	Silver

COLOR LEGEND

Part #	Anodized Color	80 mm Mounting Flange Part #	Color
B2S-220 BK	Black	MF80-BK	Black
B2S-220 BL	Blue	MF80-BL	Blue
B2S-220 GD	Gold	MF80-GD	Gold
B2S-220 GR	Green	MF80-GR	Green
B2S-220 RD	Red	MF80-RD	Red
B2S-220 SI	Silver	MF80-SI	Silver

Optional End Caps (sold in pairs)	Color	Part #	Description
EC-2SBK	Black	SK-3	NEM 4/IP65 Sealing kit for ALL B-3 Series Enclosures
EC-2SBL	Blue		
EC-2SGN	Green		
EC-2SRD	Red		
EC-2SGY	Gray		

Part #	Description
SK-3	NEM 4/IP65 Sealing kit for ALL B-3 Series Enclosures

ENCLOSURES & ASSEMBLY SERVICES

Title: B2S-220 MASTER DRAWING

Material: Aluminum 6063-T6(HE9)

Finish: Anodized BS 1615

Proj.

TOLERANCE: all dimension in mm unless otherwise specified

1-5 ±0.10

5-50 ±0.30

50-200 ±0.50

ANGLE ±0.5°

Color: _____

Qty: _____

Sheet _____

App. _____

Date _____

Revision: 6.1

Model: _____

Dwg. No.: _____

Part No.: _____

Drn. Rudy 9/3/2019

Chk. _____

Date _____

THIS DRAWING IS THE PROPERTY OF AND MAY EMBODY PROPRIETARY INFORMATION OWNED BY Box Enclosures. IT IS PROVIDED UNDER A CONFIDENTIAL RELATIONSHIP FOR A SPECIFIC PURPOSE. THE RECIPIENT AGREES TO USE IT ONLY FOR SUCH PURPOSE AND RETURN IT TO Box Enclosure UPON REQUEST.