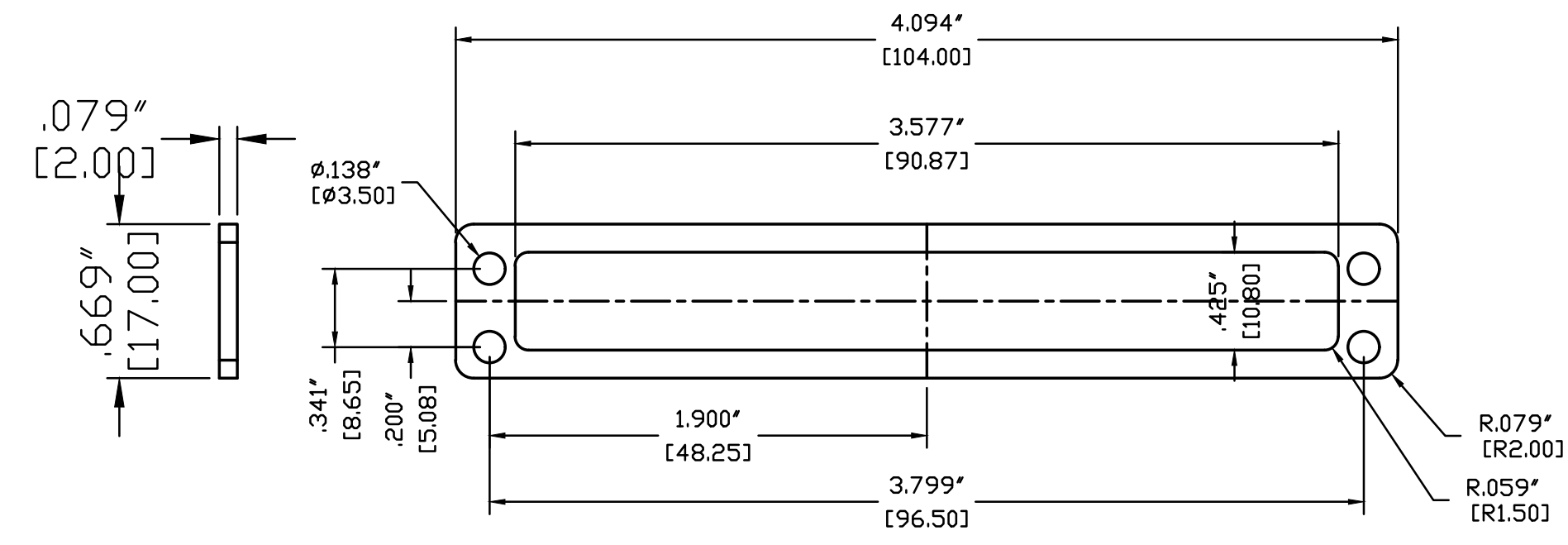
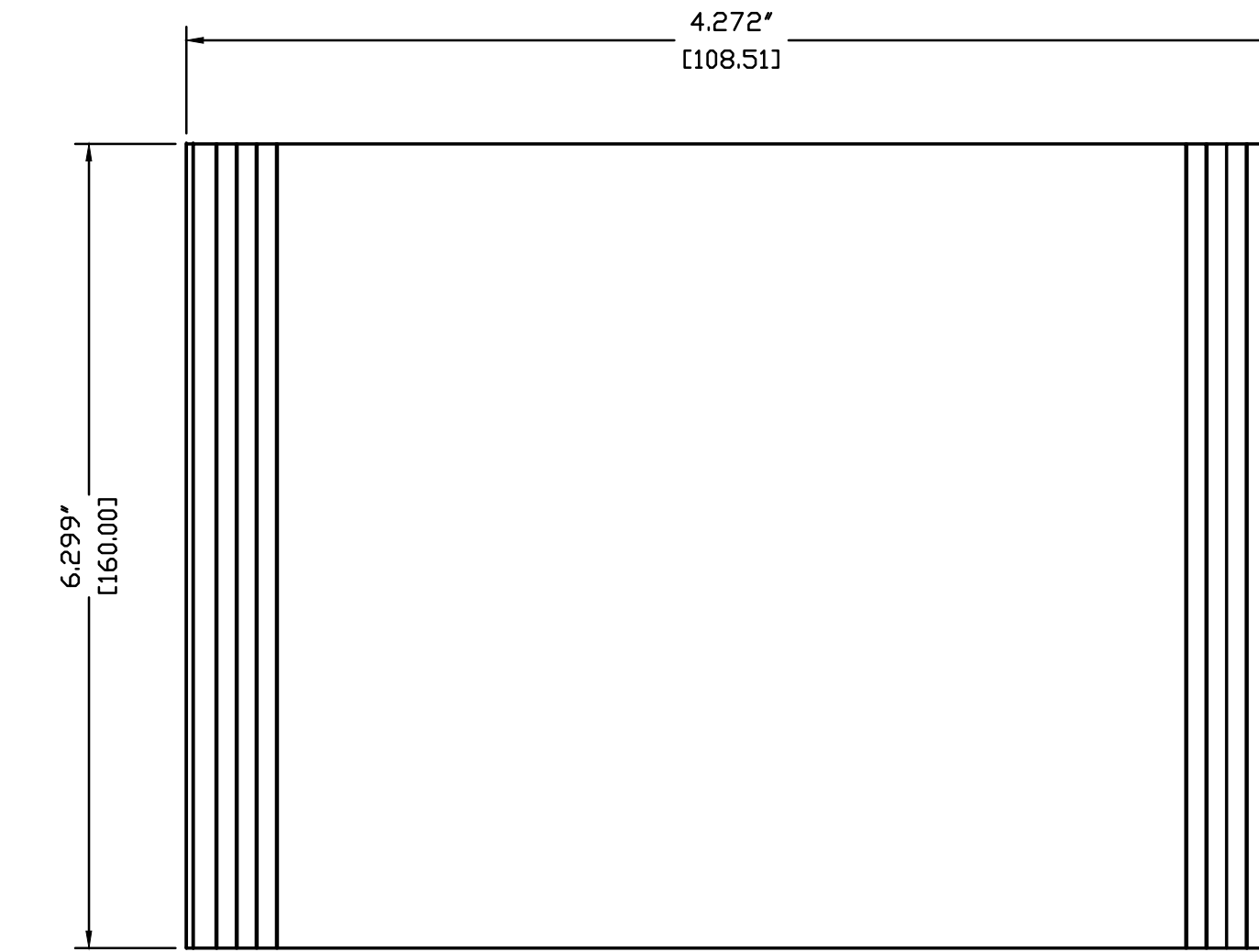


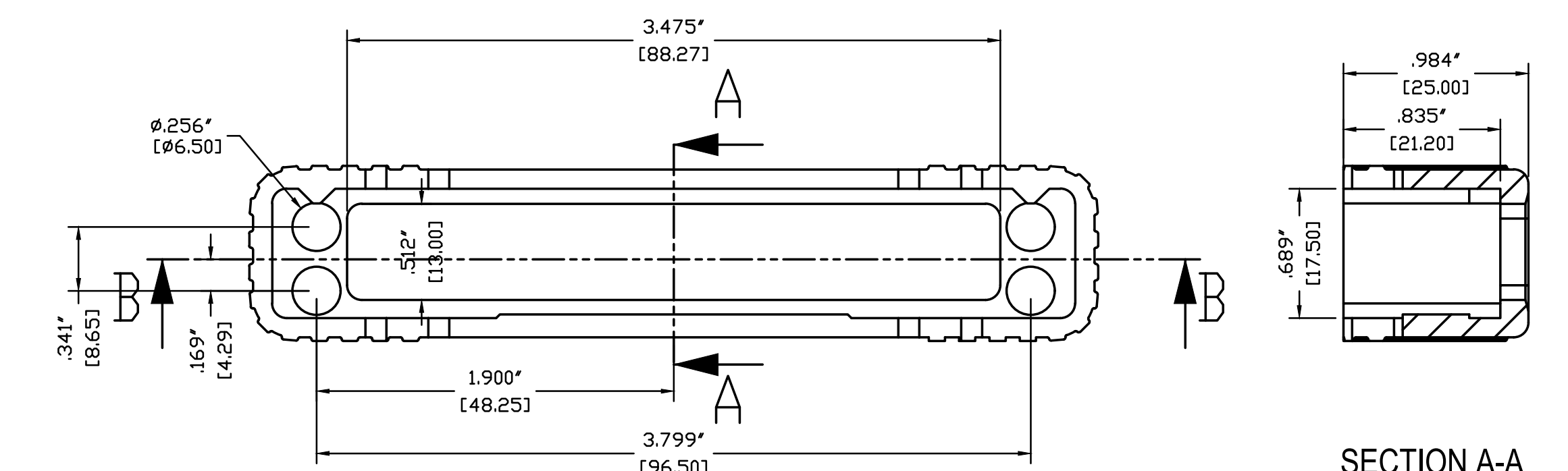
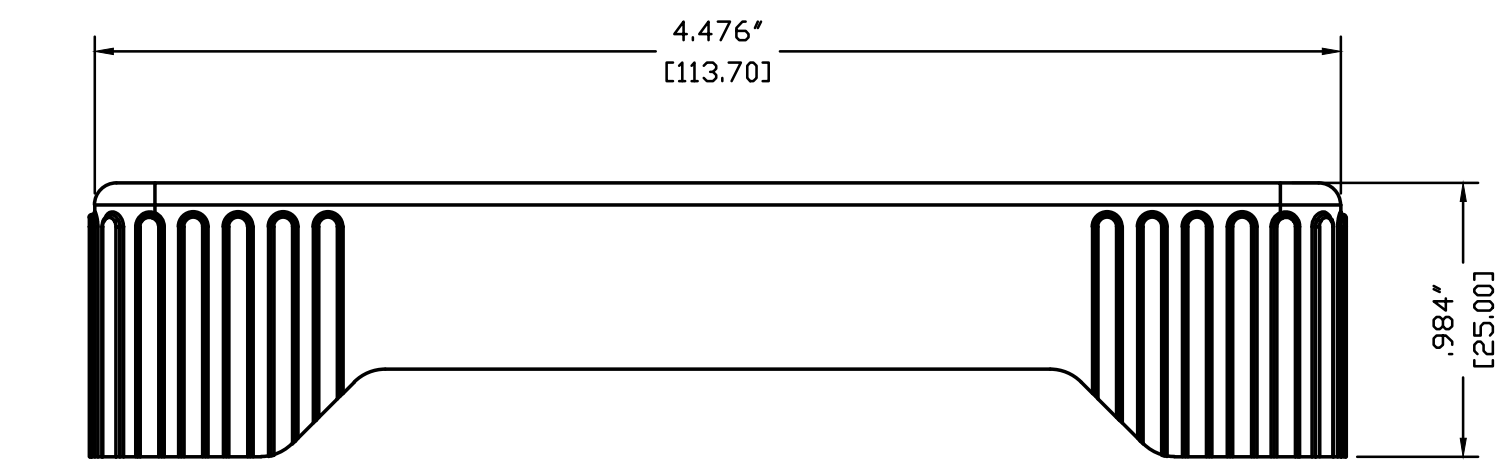
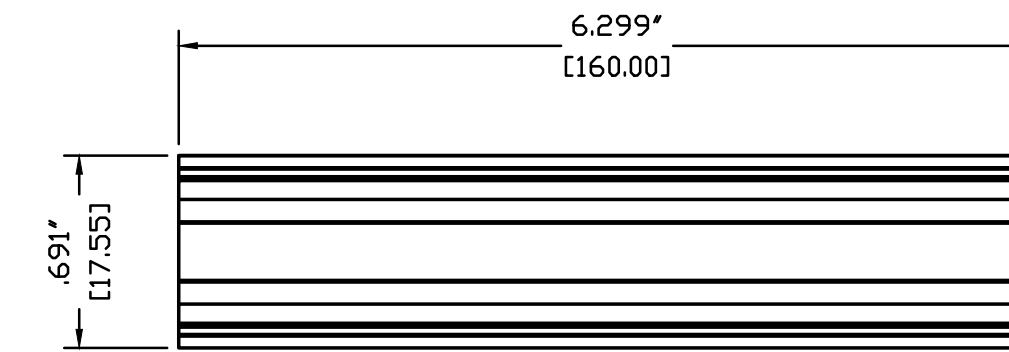
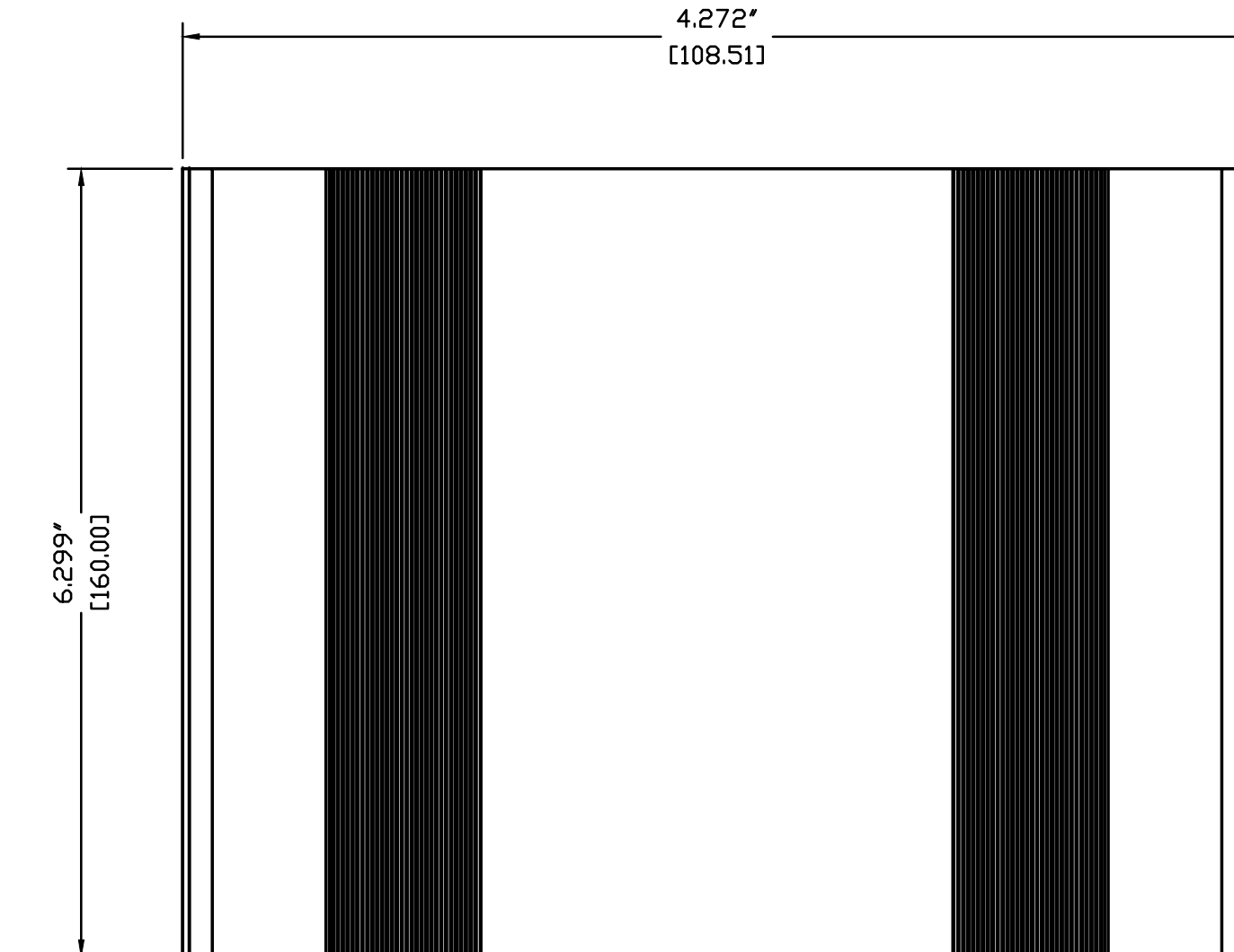
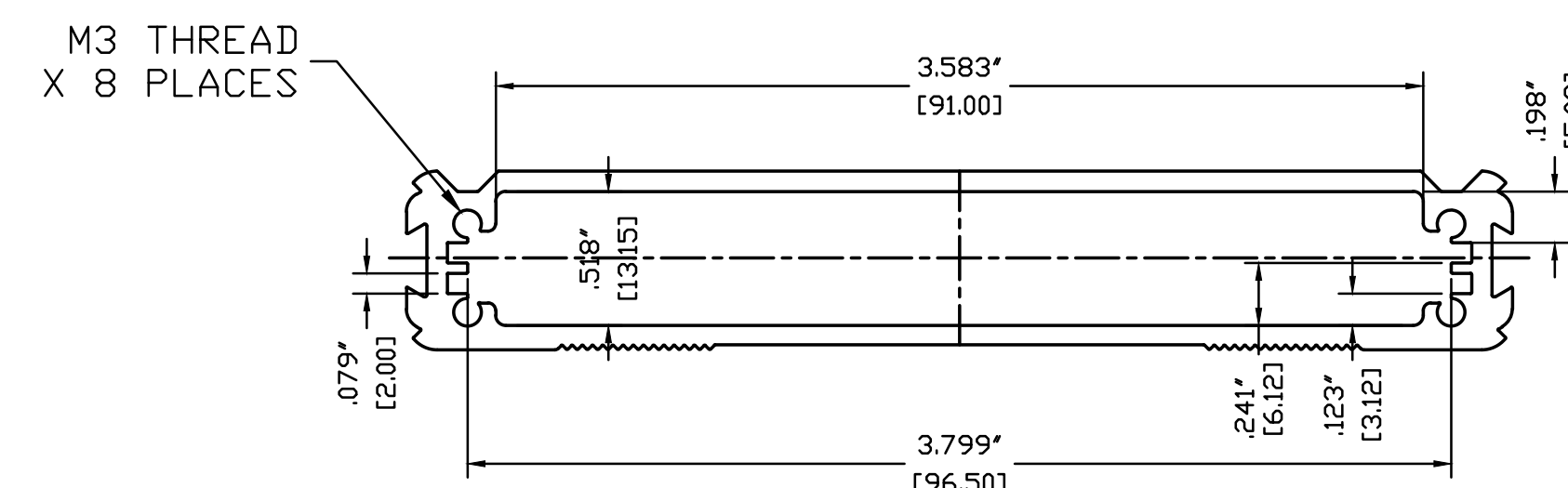
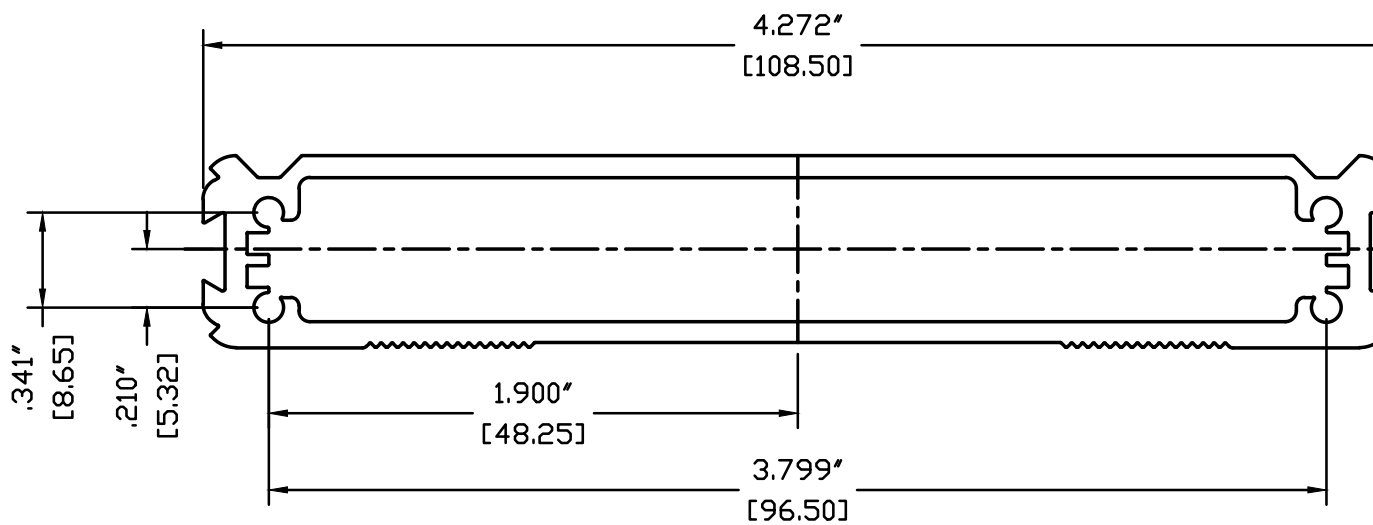
END PLATE



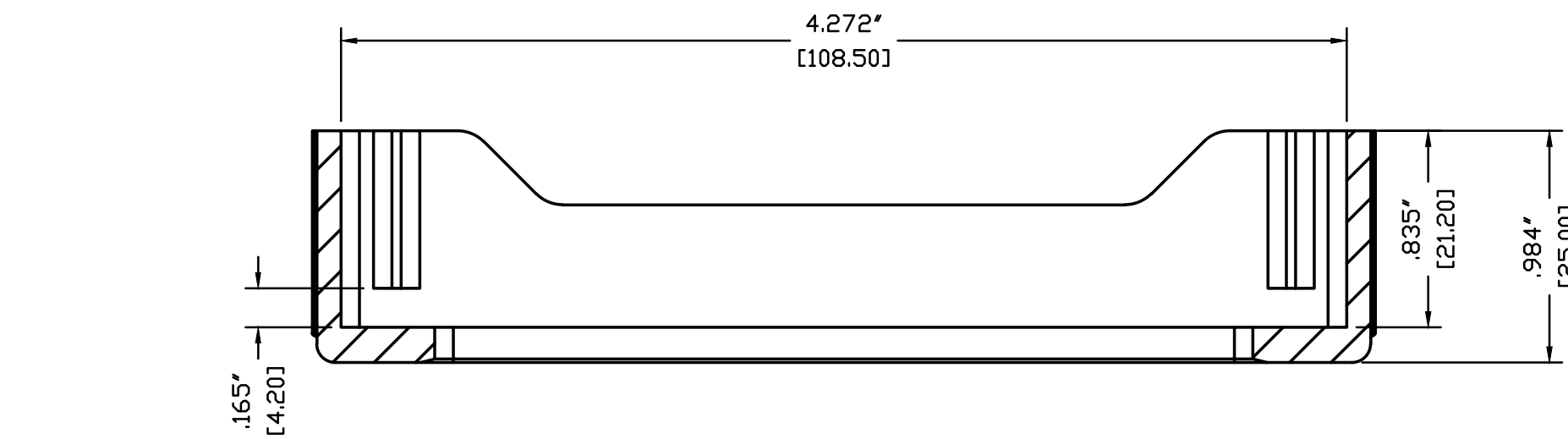
SK-2S SEALING KIT
 OPTIONAL ACCESSORY



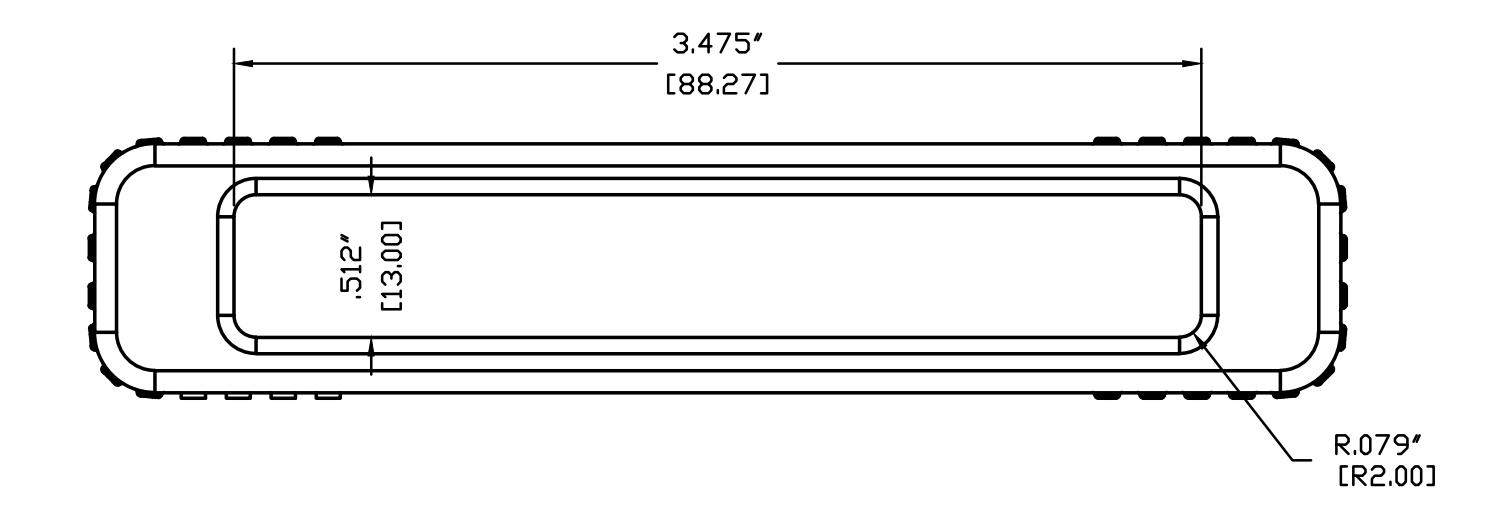
ENCLOSURE PROFILE



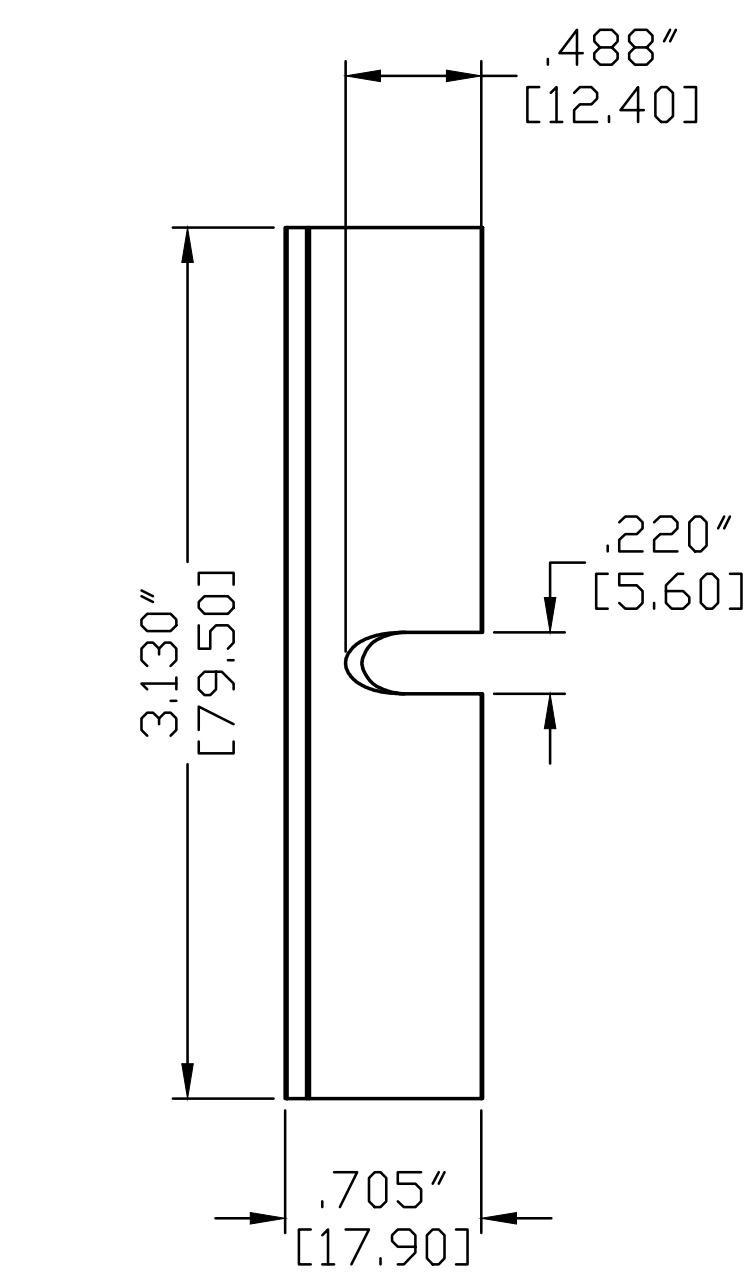
SECTION A-A



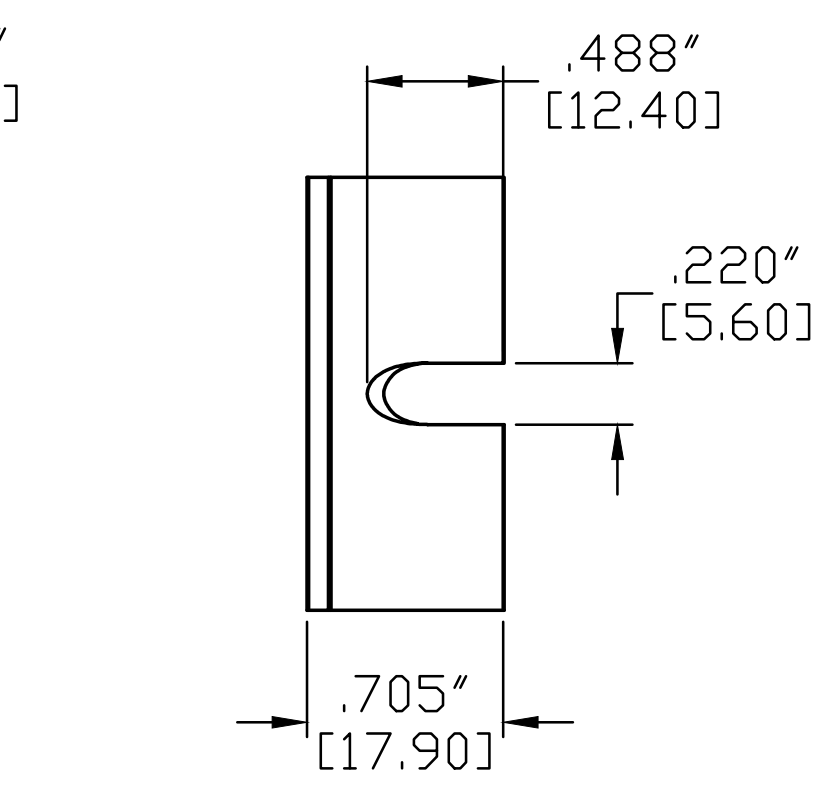
SECTION B-B



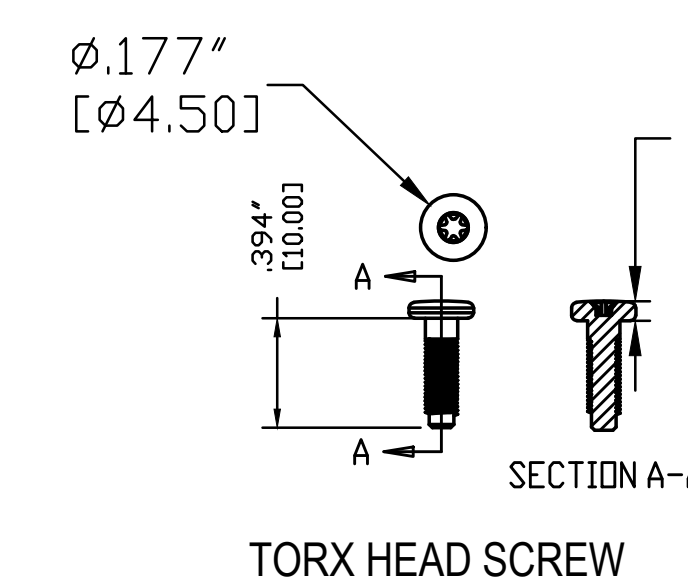
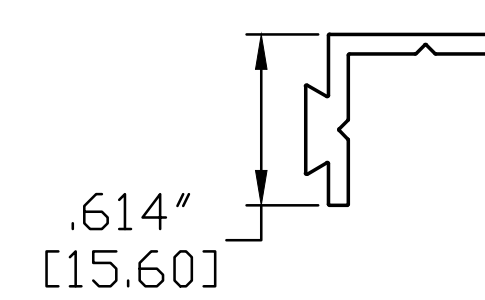
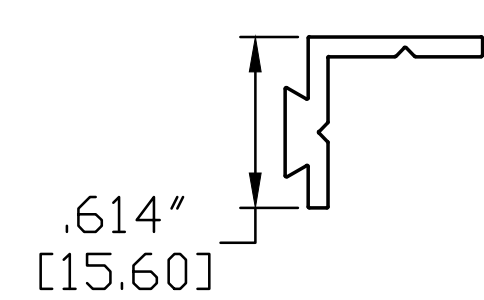
EC2S-END CAP
 OPTIONAL ACCESSORY



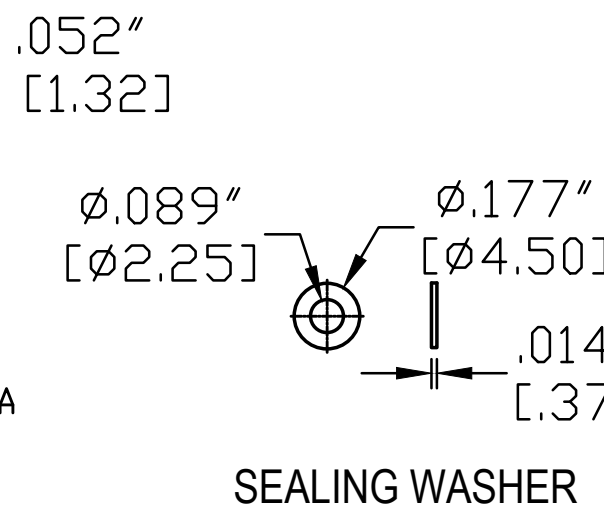
MF-80
 OPTIONAL ACCESSORY



MF-40
 OPTIONAL ACCESSORY



TORX HEAD SCREW



SEALING WASHER

Mounting Flanges
 Optional Accessory
 (Sold individually)

40 mm Mounting Flange Part #	Color
MF40-BK	Black
MF40-BL	Blue
MF40-GD	Gold
MF40-GR	Green
MF40-RD	Red
MF40-SI	Silver

COLOR LEGEND

Part #	Anodized Color	80 mm Mounting Flange Part #	Color
B2S-160 BK	Black	MF80-BK	Black
B2S-160 BL	Blue	MF80-BL	Blue
B2S-160 GD	Gold	MF80-GD	Gold
B2S-160 GR	Green	MF80-GR	Green
B2S-160 RD	Red	MF80-RD	Red
B2S-160 SI	Silver	MF80-SI	Silver

Optional End Caps (sold in pairs)	
Part #	Color
EC-2SBK	Black
EC-2SBL	Blue
EC-2SGN	Green
EC-2SRD	Red
EC-2SGY	Gray

Sealing Kit - Optional Accessory	
Part #	Description
SK-3	NEM 4/IP65 Sealing kit for ALL B-3 Series Enclosures

Revision: 6.1
 Model:

Title	B2S-160 MASTER DRAWING	Dwg. No.:	Part No.:
Material:	Aluminum 6063-T6(HE9)	Color:	Drn. Date Rudy 9/3/2019
Finish:	Anodized BS 1615	Qty:	Chk. Date
Proj.		Sheet	App. Date of

THIS DRAWING IS THE PROPERTY OF AND MAY EMBODY PROPRIETARY INFORMATION OWNED BY Box Enclosures. IT IS PROVIDED UNDER A CONFIDENTIAL RELATIONSHIP FOR A SPECIFIC PURPOSE. THE RECIPIENT AGREES TO USE IT ONLY FOR SUCH PURPOSE AND RETURN IT TO Box Enclosure UPON REQUEST.

TOLERANCE	
Dimension	Tolerance
1-5	±0.10
5-50	±0.30
50-200	±0.50
ANGLE ±0.5°	