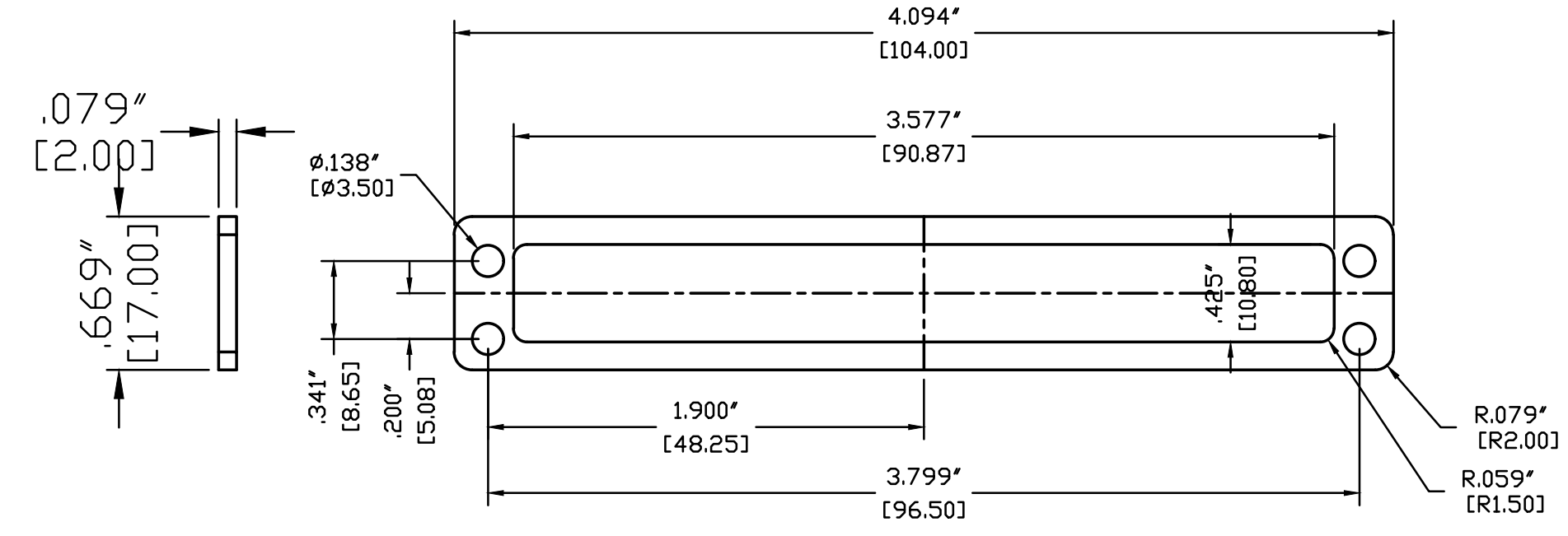
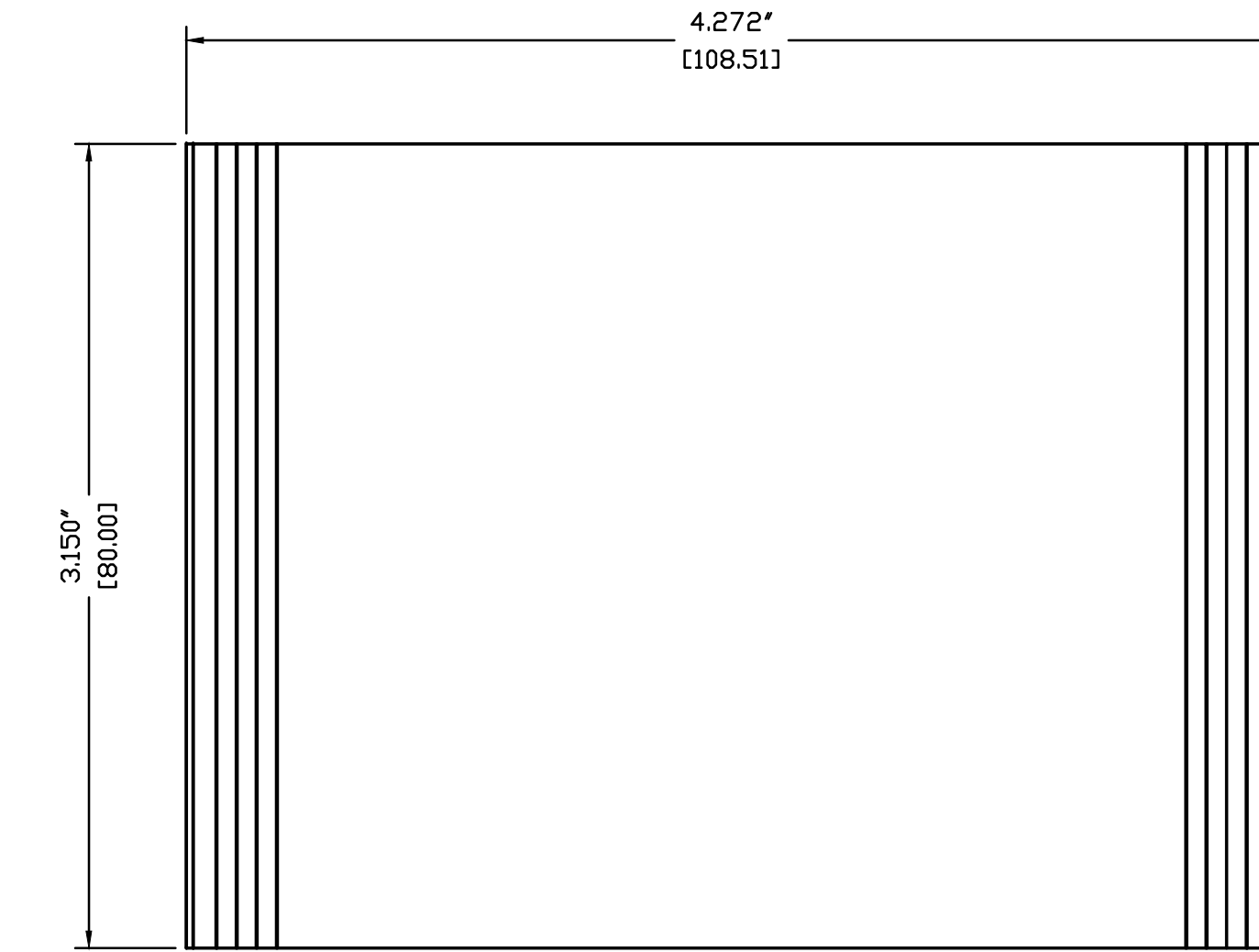


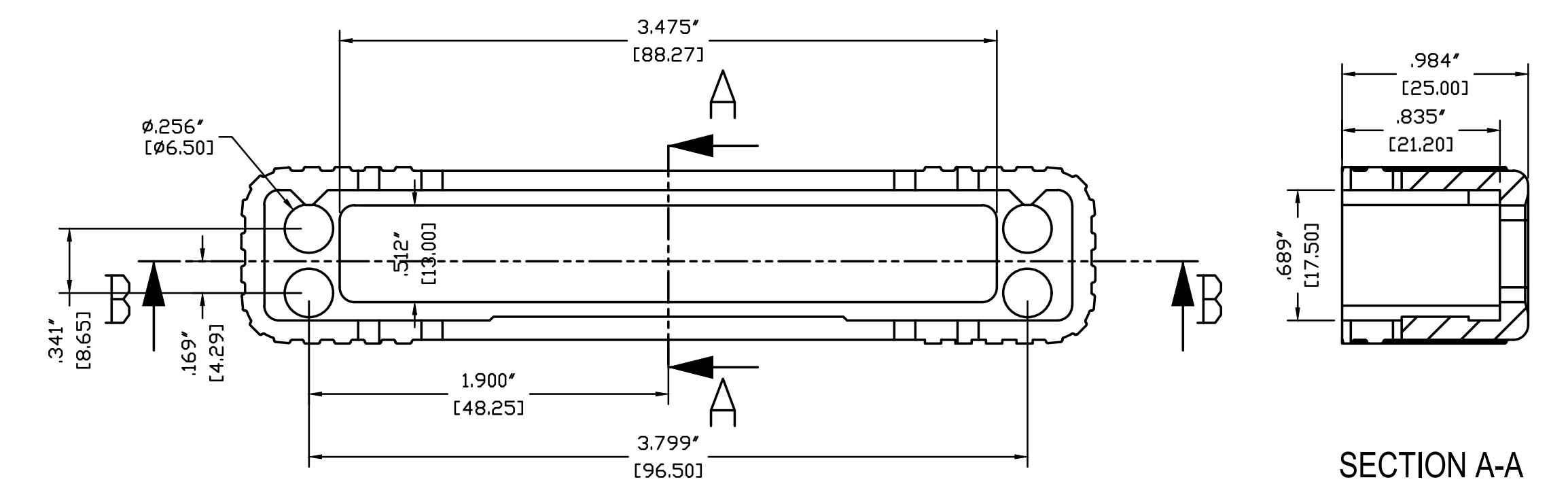
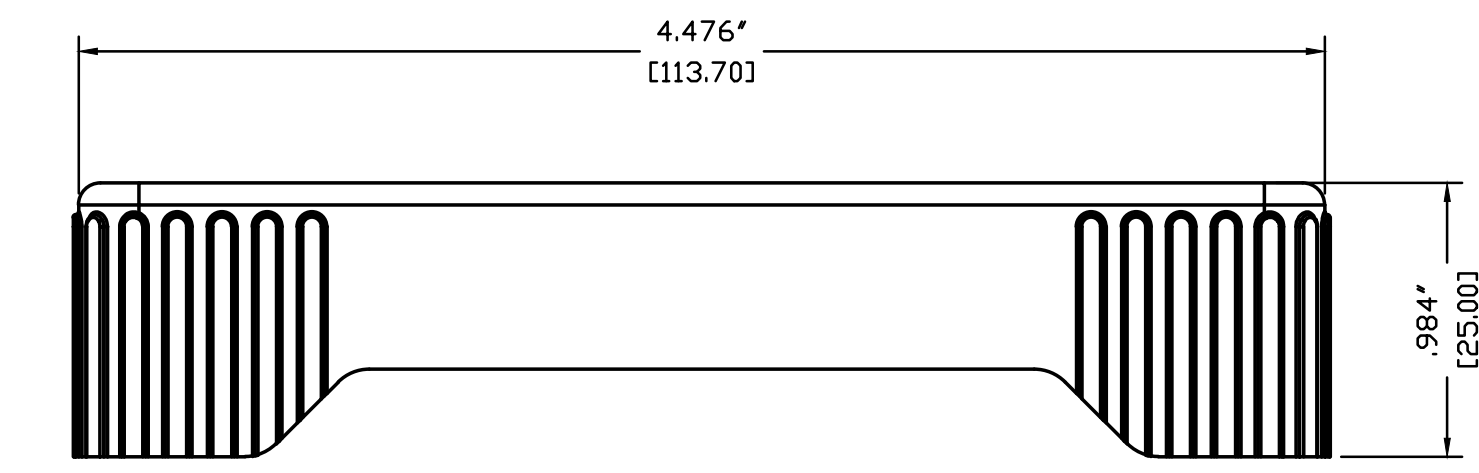
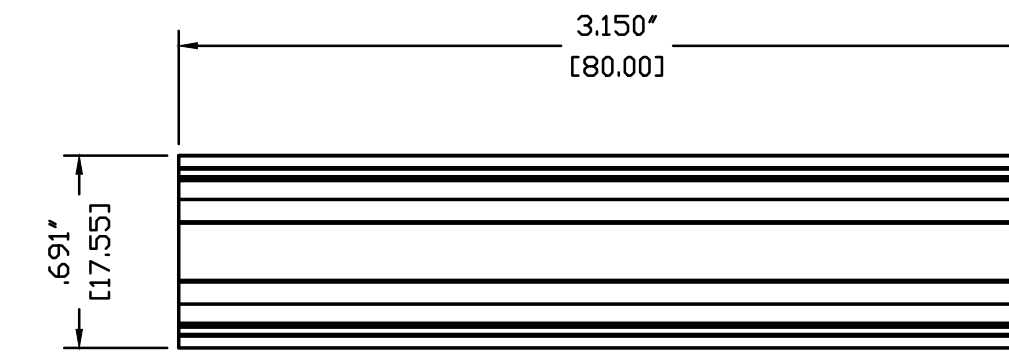
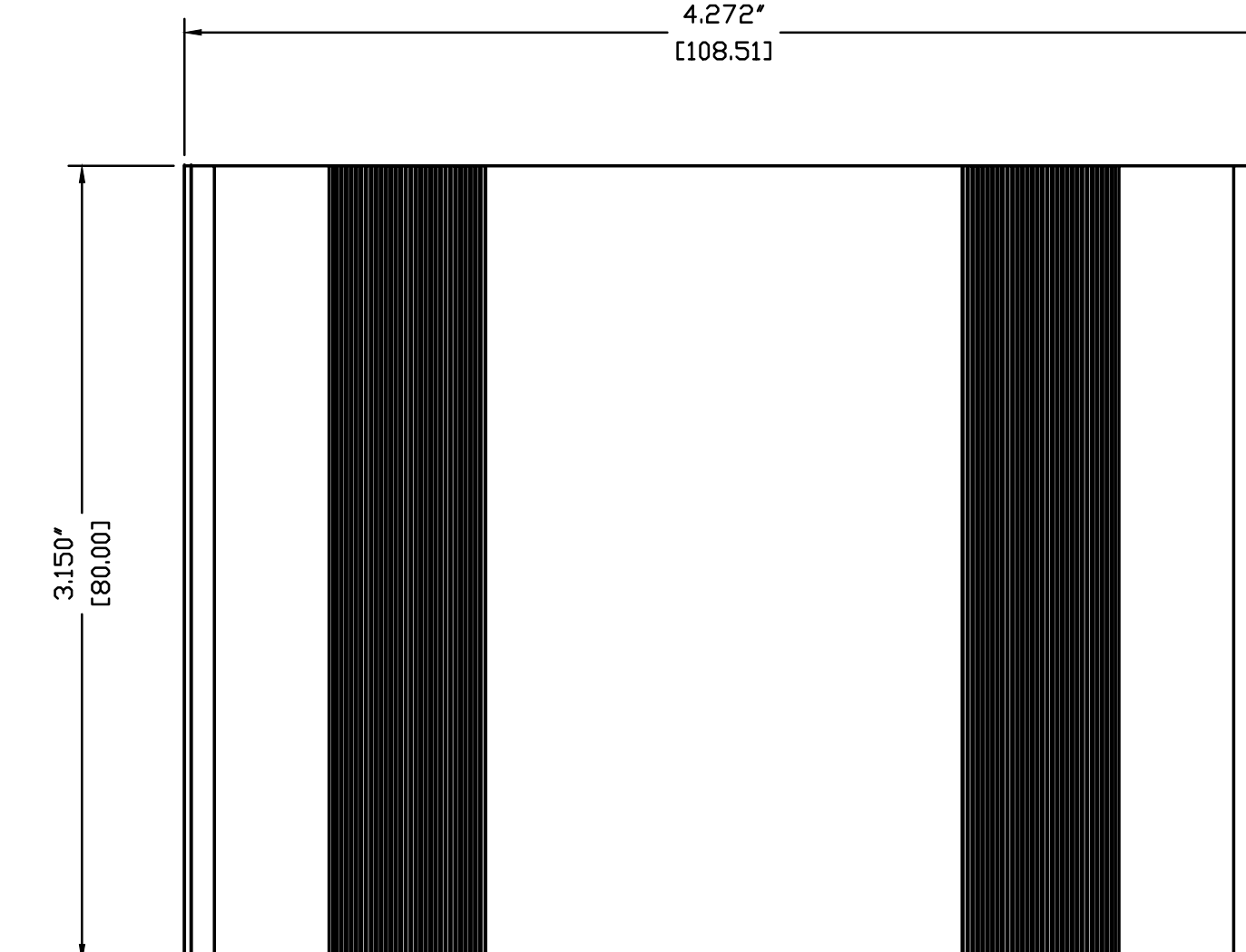
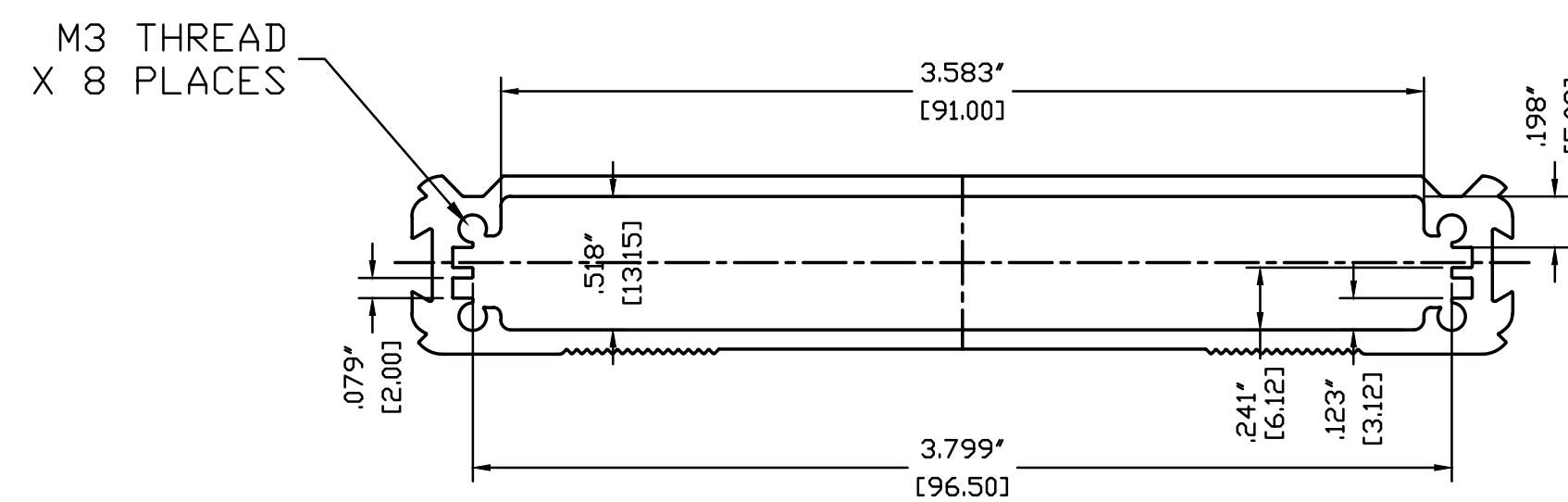
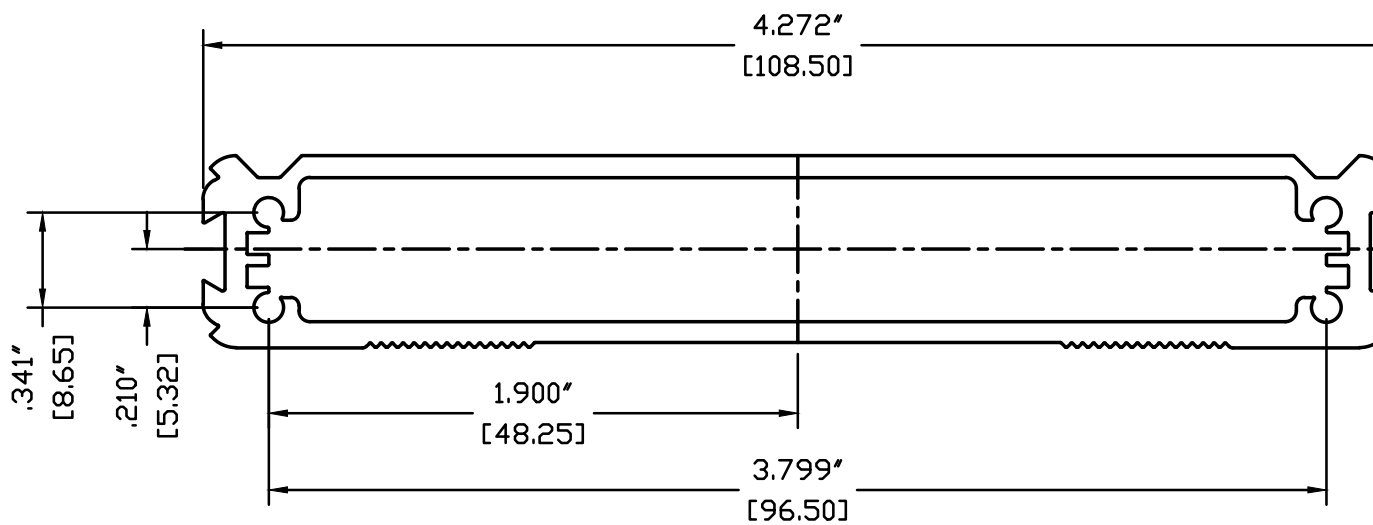
END PLATE



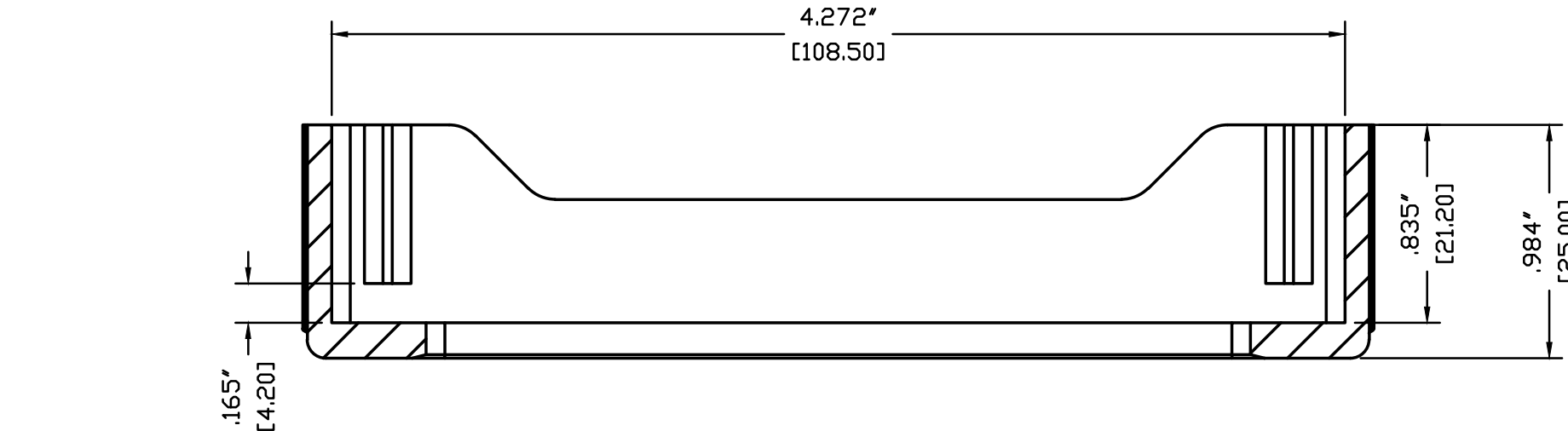
SK-2S SEALING KIT
 OPTIONAL ACCESSORY



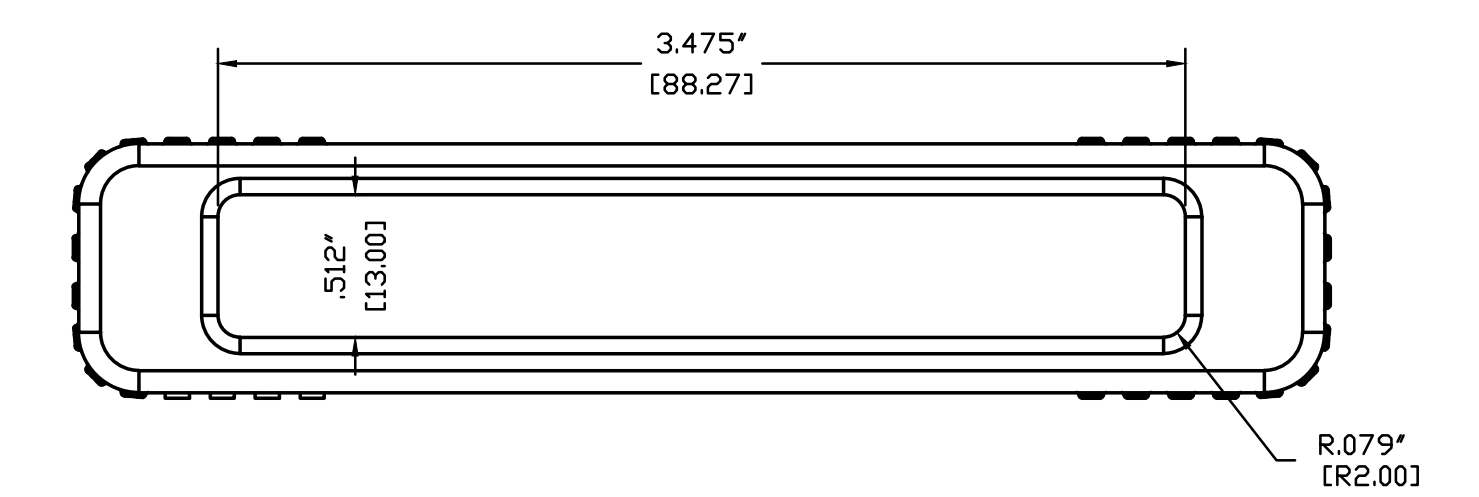
ENCLOSURE PROFILE



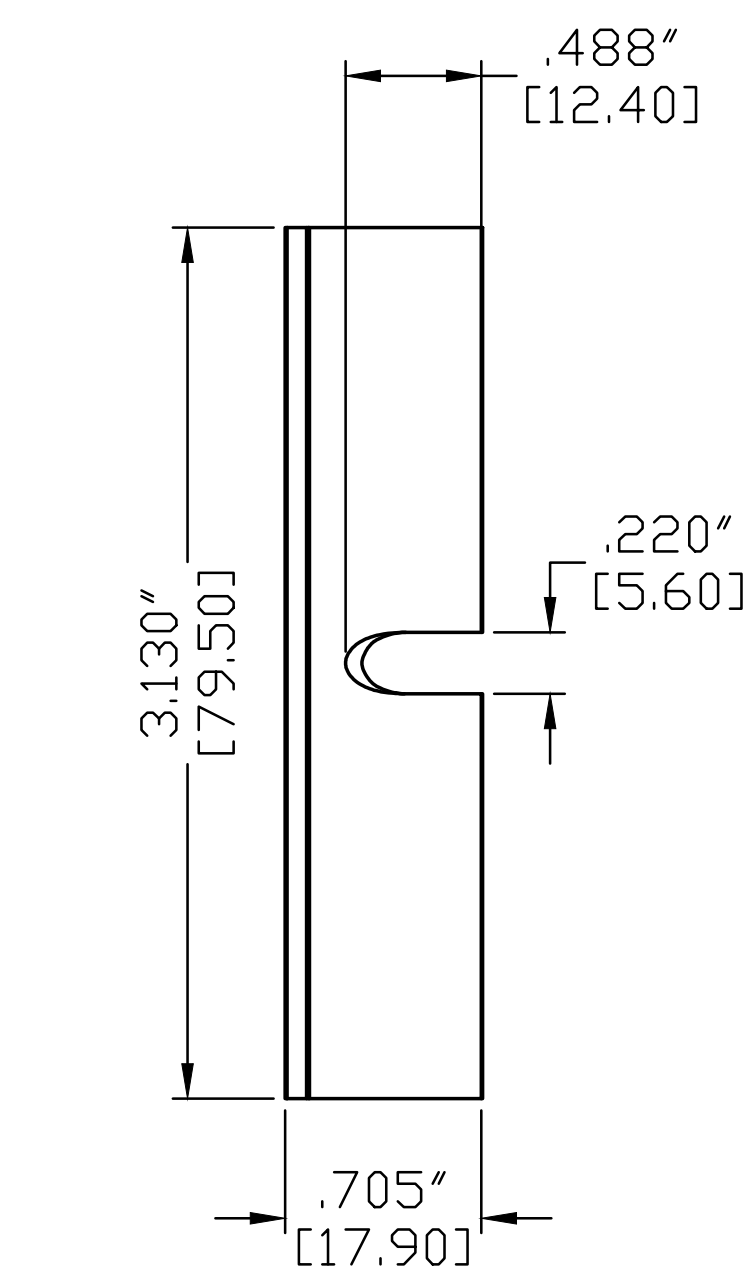
SECTION A-A



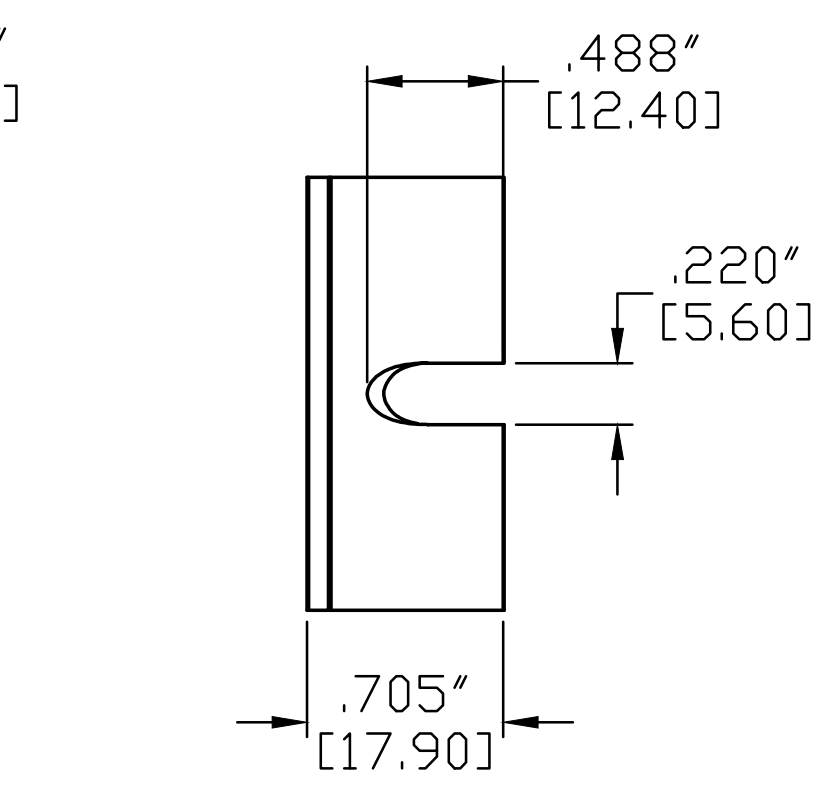
SECTION B-B



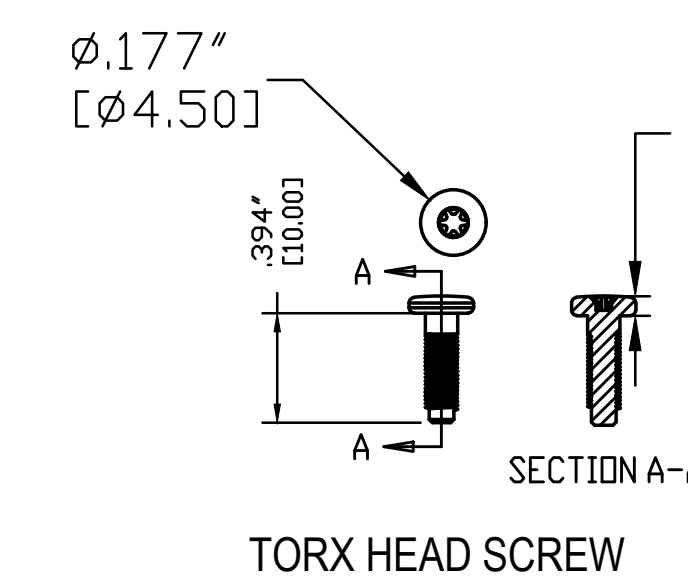
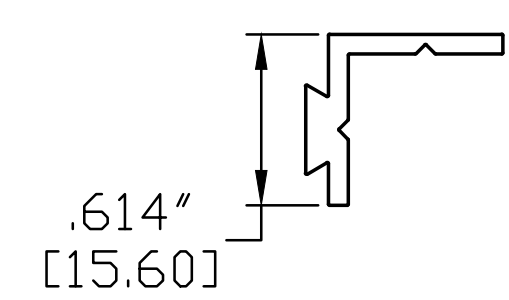
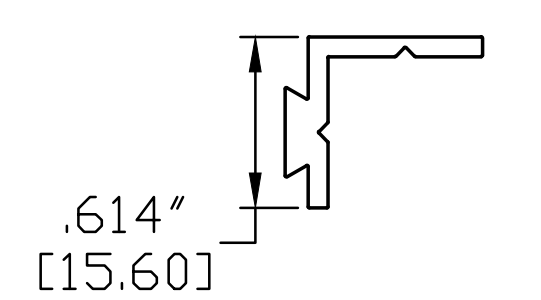
EC2S-END CAP
 OPTIONAL ACCESSORY



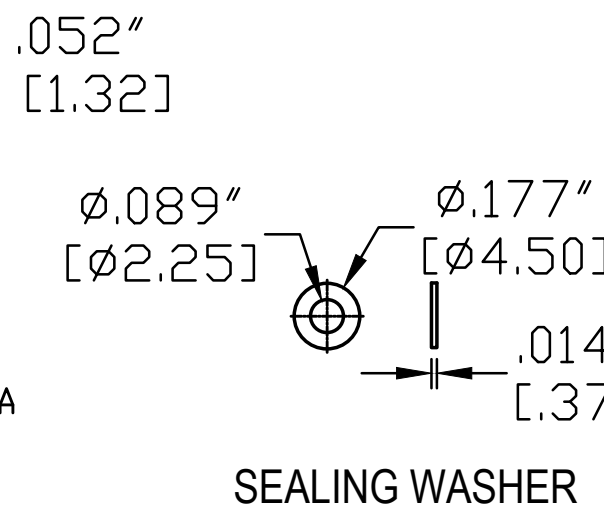
MF-80
 OPTIONAL ACCESSORY



MF-40
 OPTIONAL ACCESSORY



TORX HEAD SCREW



SEALING WASHER

Mounting Flanges
 Optional Accessory
 (Sold individually)

40 mm Mounting Flange Part #	Color
MF40-BK	Black
MF40-BL	Blue
MF40-GD	Gold
MF40-GR	Green
MF40-RD	Red
MF40-SI	Silver

COLOR LEGEND		80 mm Mounting Flange Part #	
Part #	Anodized Color	Part #	Color
B2S-080 BK	Black	MF80-BK	Black
B2S-080 BL	Blue	MF80-BL	Blue
B2S-080 GD	Gold	MF80-GD	Gold
B2S-080 GR	Green	MF80-GR	Green
B2S-080 RD	Red	MF80-RD	Red
B2S-080 SI	Silver	MF80-SI	Silver

Optional End Caps (sold in pairs)		Sealing Kit - Optional Accessory	
Part #	Color	Part #	Description
EC-2SBK	Black	SK-3	NEM 4/IP65 Sealing kit for ALL B-3 Series Enclosures
EC-2SBL	Blue		
EC-2SGN	Green		
EC-2SRD	Red		
EC-2SGY	Gray		

		Revision: 6.1	
		Model:	
Title: B2S-080 MASTER DRAWING		Dwg. No.:	Part No.:
Material: Aluminum 6063-T6(HE9)	TOLERANCE all dimension in mm unless otherwise specified 1-5 ±0.10 5-50 ±0.30 50-200 ±0.50 ANGLE ±0.5°	Color:	Drn. Date Rudy 9/3/2019
Finish: Anodized BS 1615		Qty:	Chk. Date
Proj.		Sheet	App. Date of