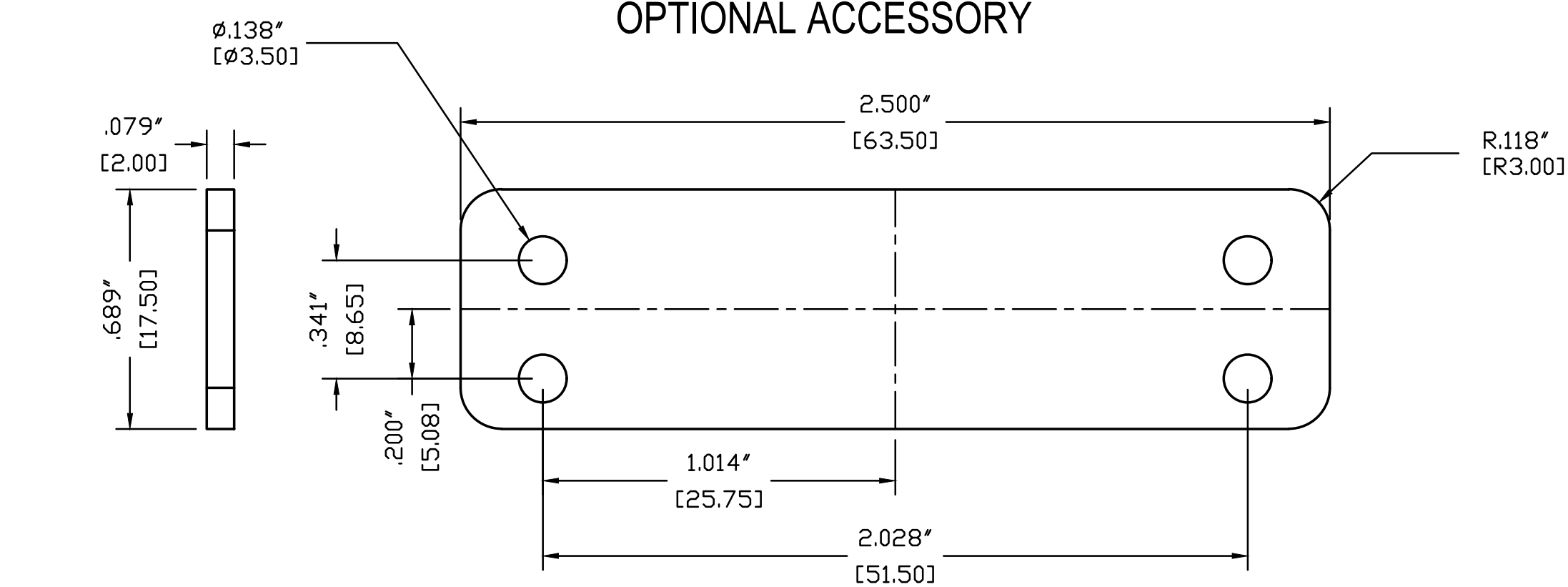
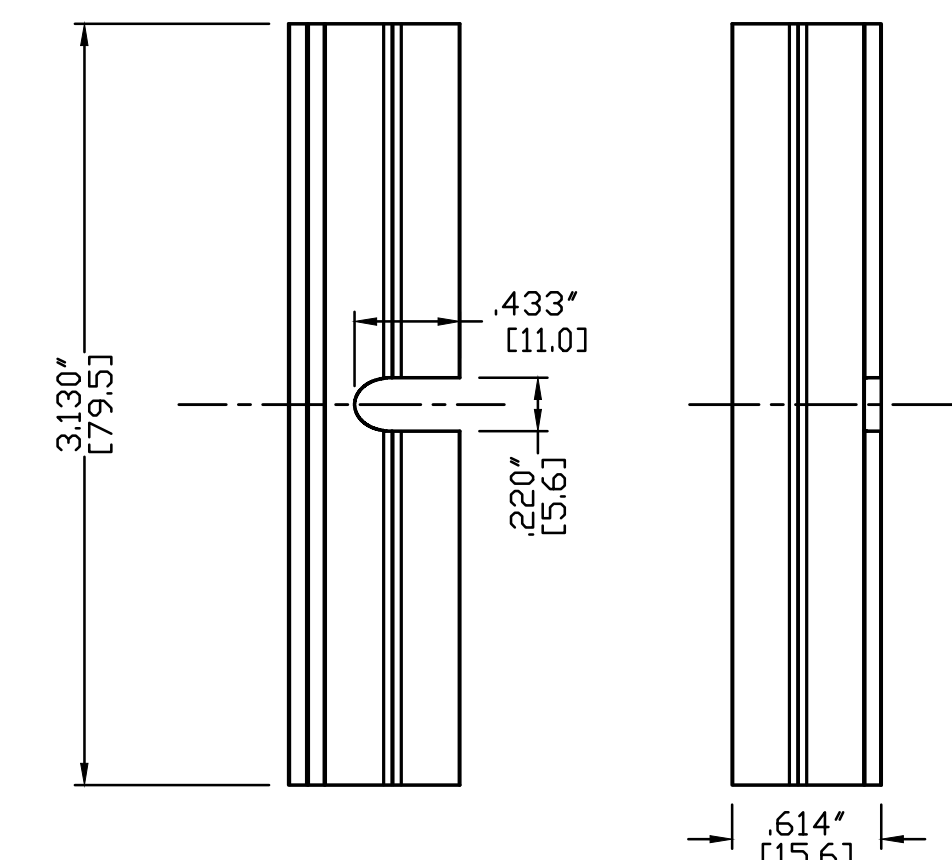


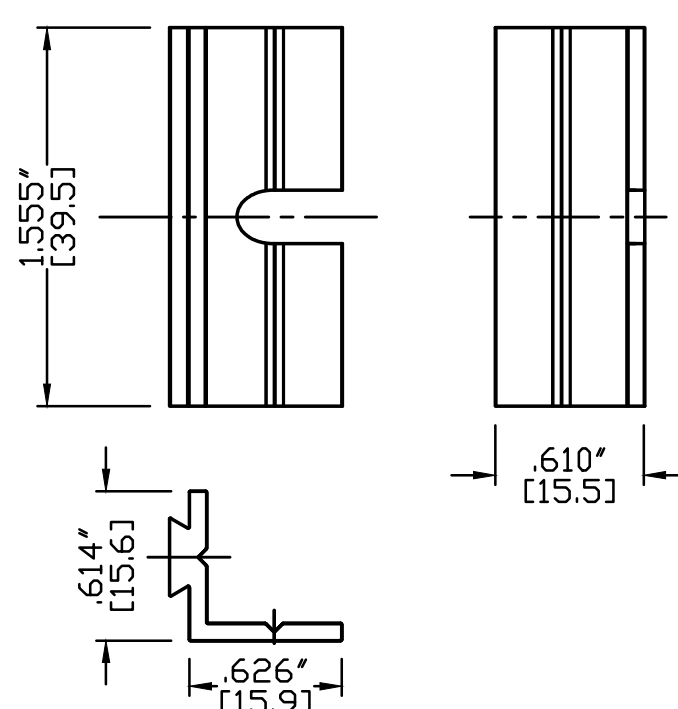
SK-1S SEALING KIT
OPTIONAL ACCESSORY



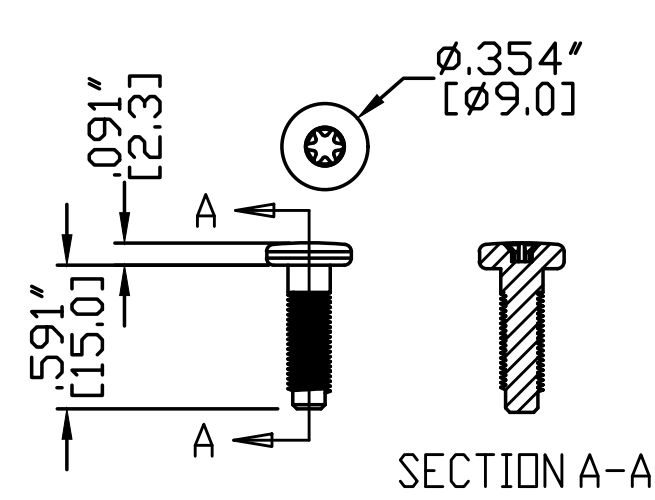
END PLATE



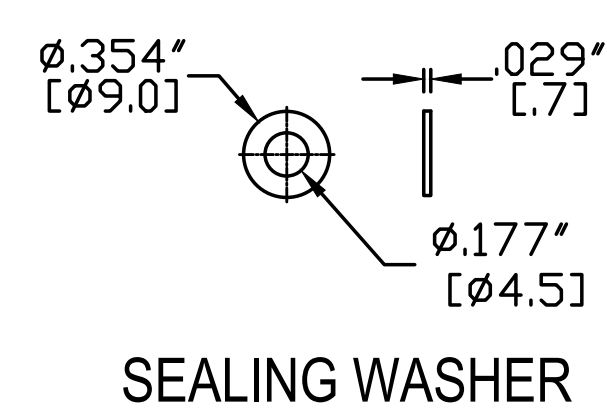
MF-80
OPTIONAL ACCESSORY



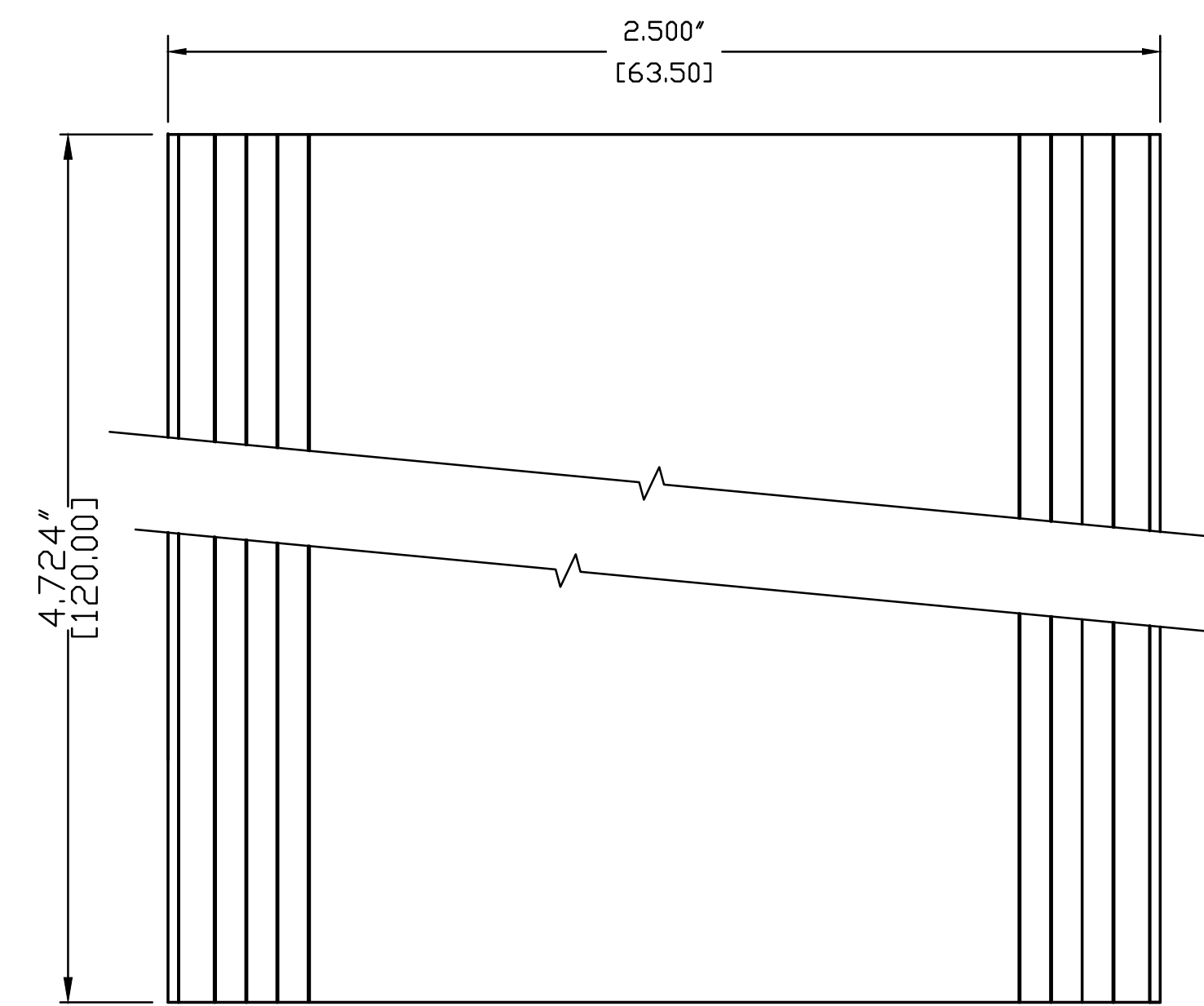
MF-40
OPTIONAL ACCESSORY



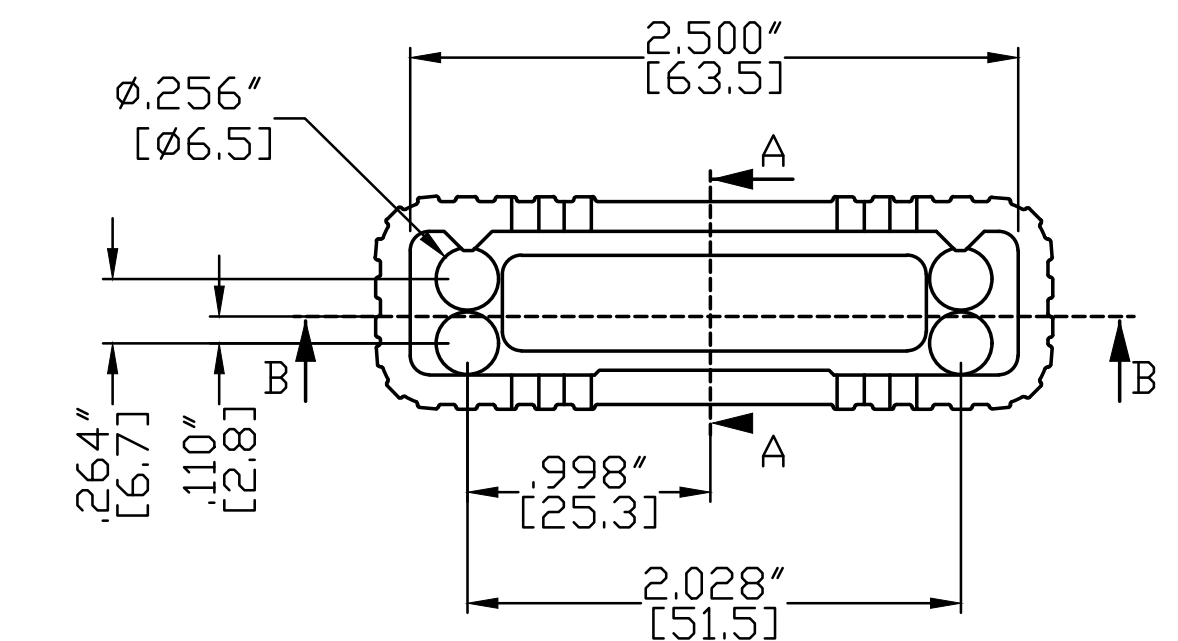
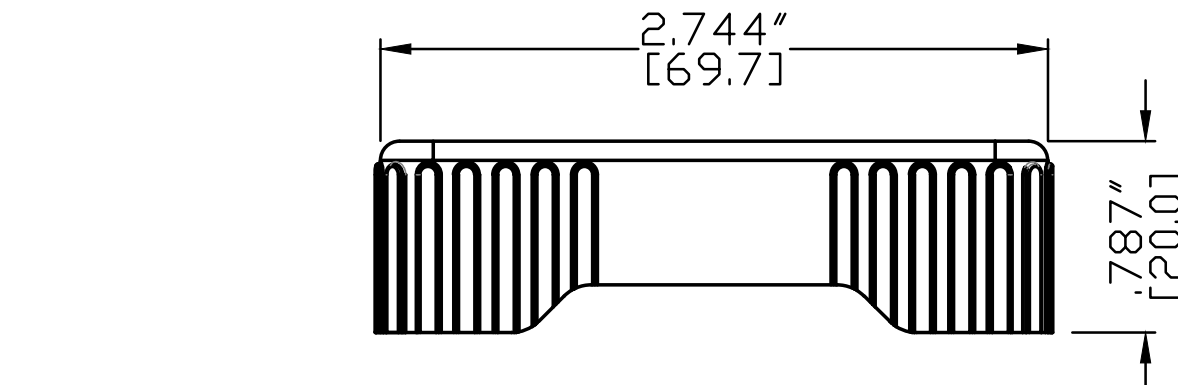
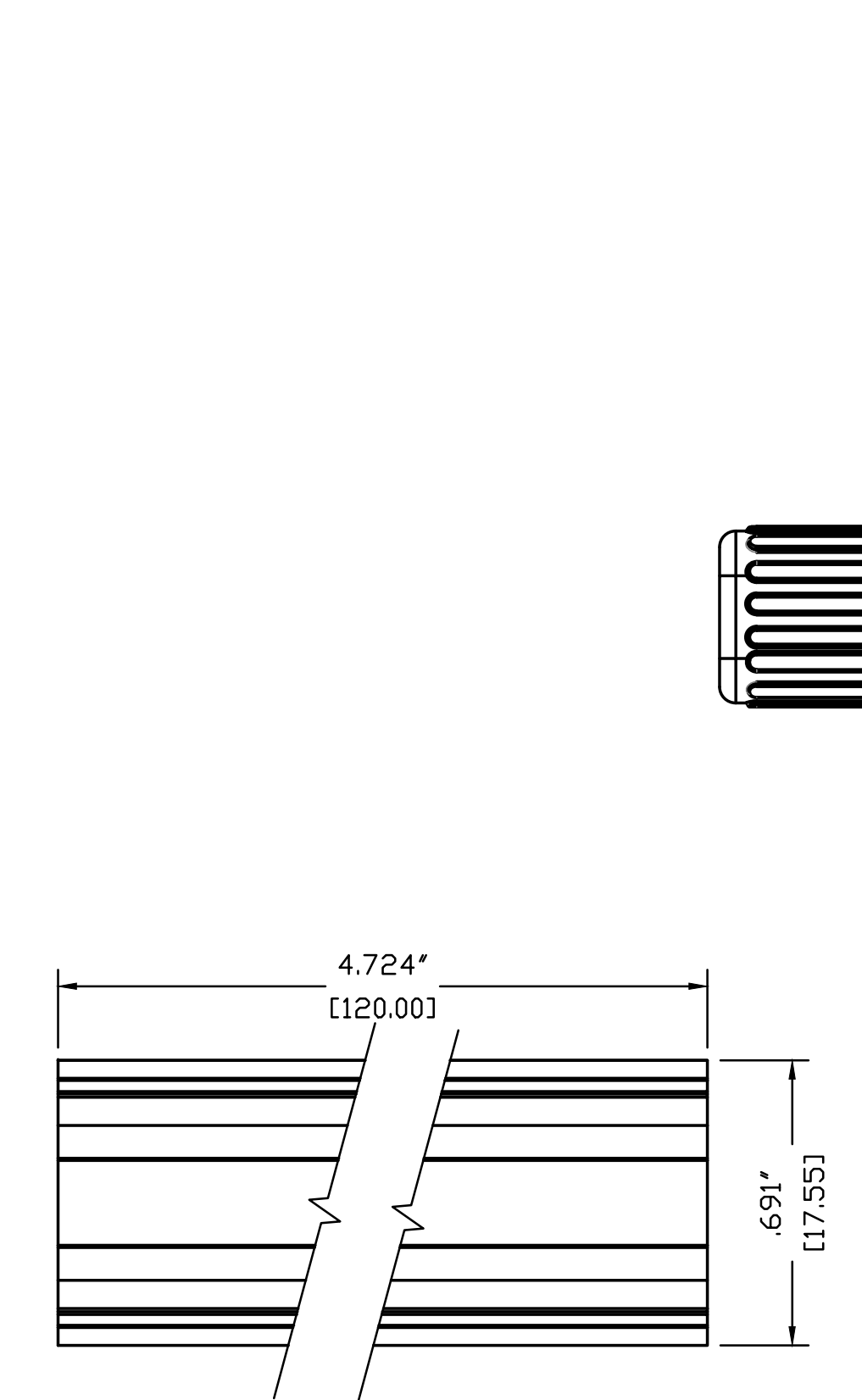
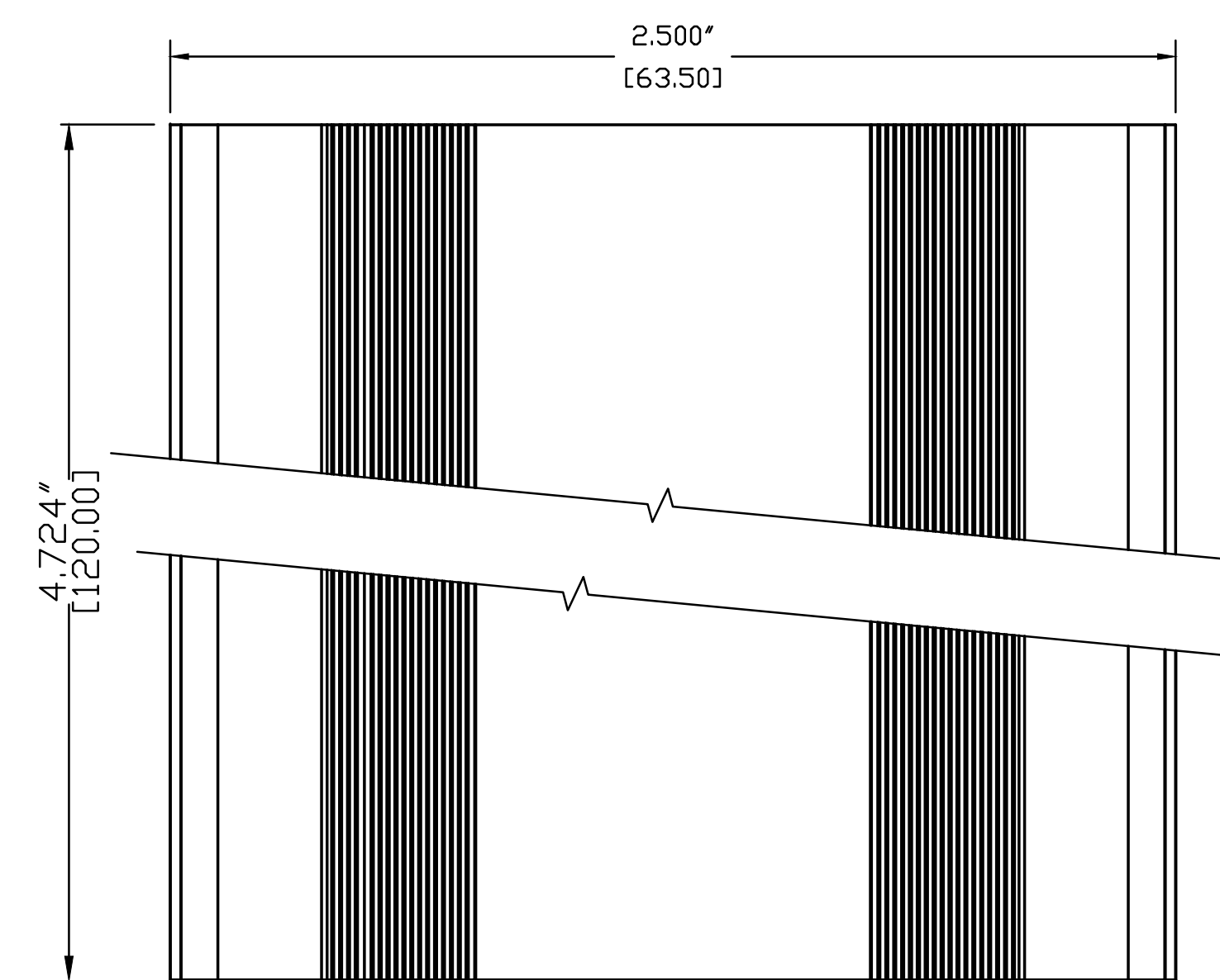
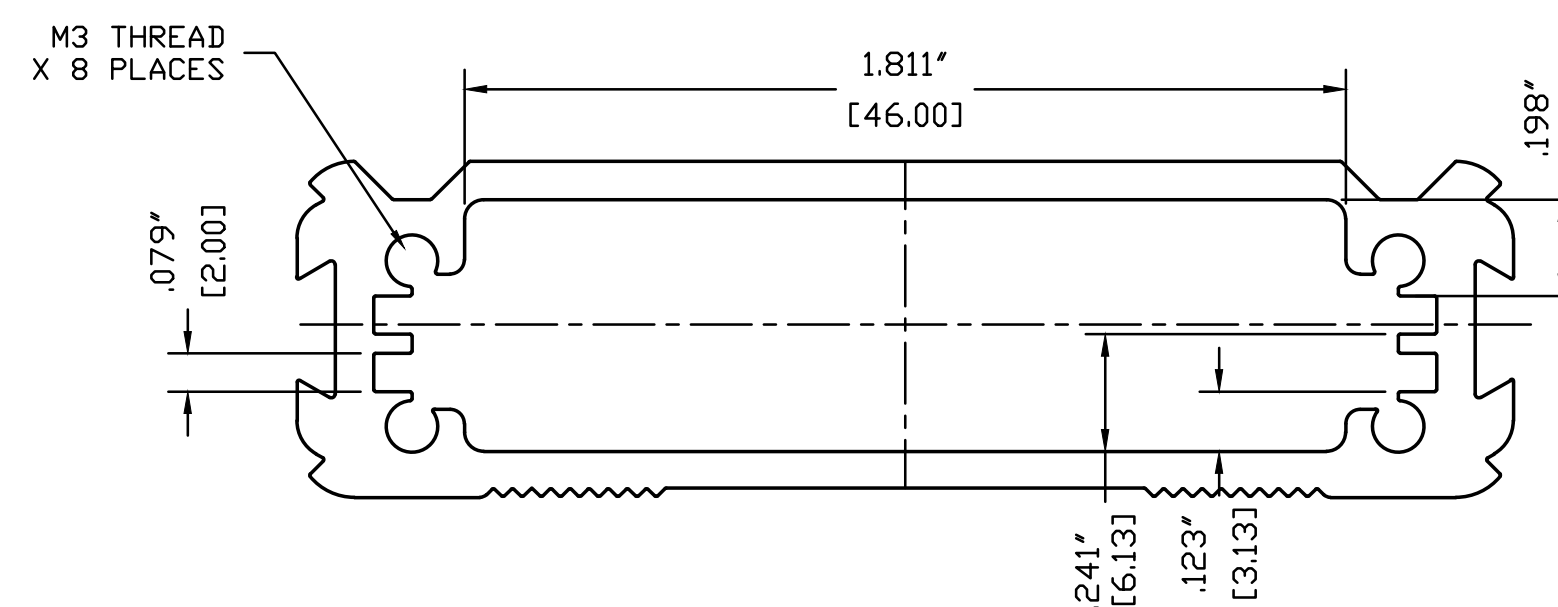
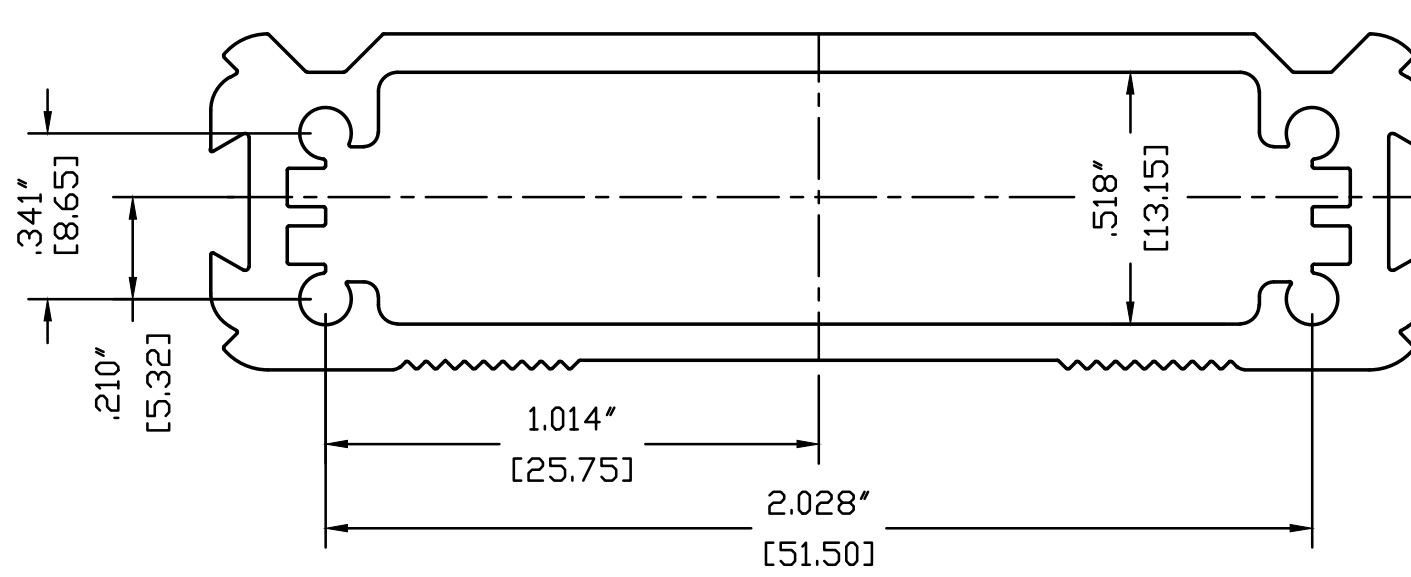
TORX HEAD SCREW



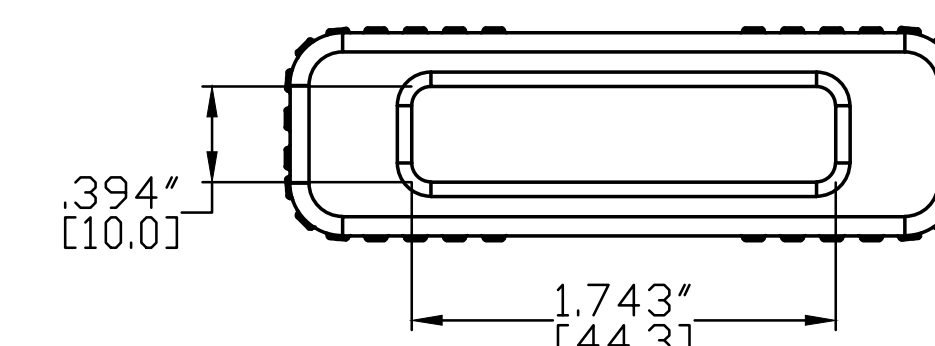
SEALING WASHER



ENCLOSURE PROFILE



SECTION B-B



EC1S-END CAP
OPTIONAL ACCESSORY

SECTION A-A

Mounting Flanges
Optional Accessory
(Sold individually)

40 mm Mounting Flange Part #	Color
MF40-BK	Black
MF40-BL	Blue
MF40-GD	Gold
MF40-GR	Green
MF40-RD	Red
MF40-SI	Silver

COLOR LEGEND			
Part #	Anodized Color	80 mm Mounting Flange Part #	Color
B1S-120 BK	Black	MF80-BK	Black
B1S-120 BL	Blue	MF80-BL	Blue
B1S-120 GD	Gold	MF80-GD	Gold
B1S-120 GR	Green	MF80-GR	Green
B1S-120 RD	Red	MF80-RD	Red
B1S-120 SI	Silver	MF80-SI	Silver

Optional End Caps (sold in pairs)	
Part #	Color
EC-1SBK	Black
EC-1SBL	Blue
EC-1SGN	Green
EC-1SRD	Red
EC-1SGY	Gray

Sealing Kit - Optional Accessory	
Part #	Description
SK-3	NEM 4/IP65 Sealing kit for ALL B-3 Series Enclosures



Title: B1S-120 MASTER DRAWING		Dwg. No.:	Part No.:
Material: Aluminum 6063-T6(HE9)	TOLERANCE: all dimension in mm unless otherwise specified.	Color:	Drn. Date: Rudy 9/3/2019
Finish: Anodized BS 1615	1-5 ±0.10 5-50 ±0.30 50-200 ±0.50 ANGLE ±0.5°	Qty:	Chk. Date
Proj.	Sheet	App. of	Date