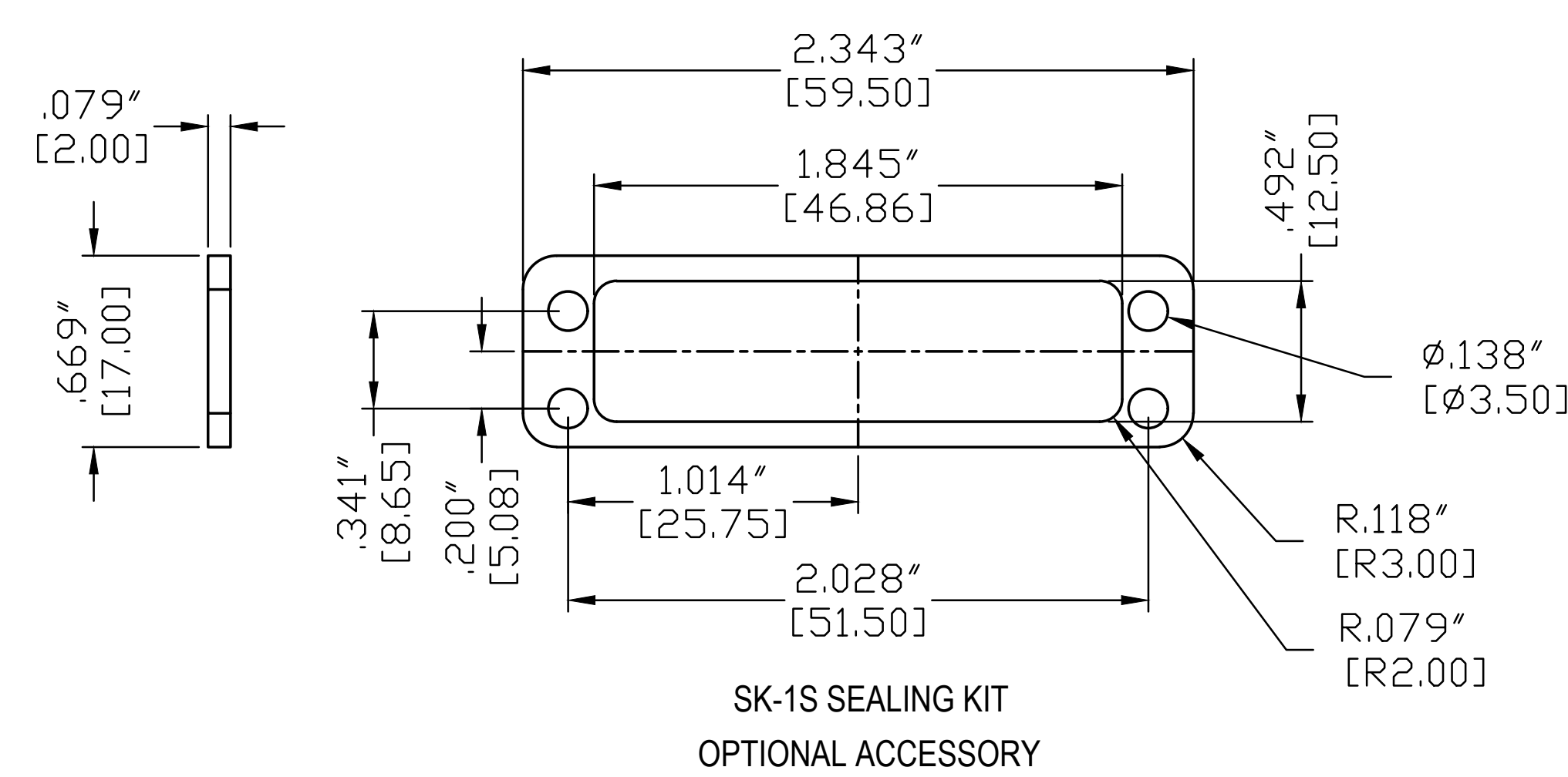
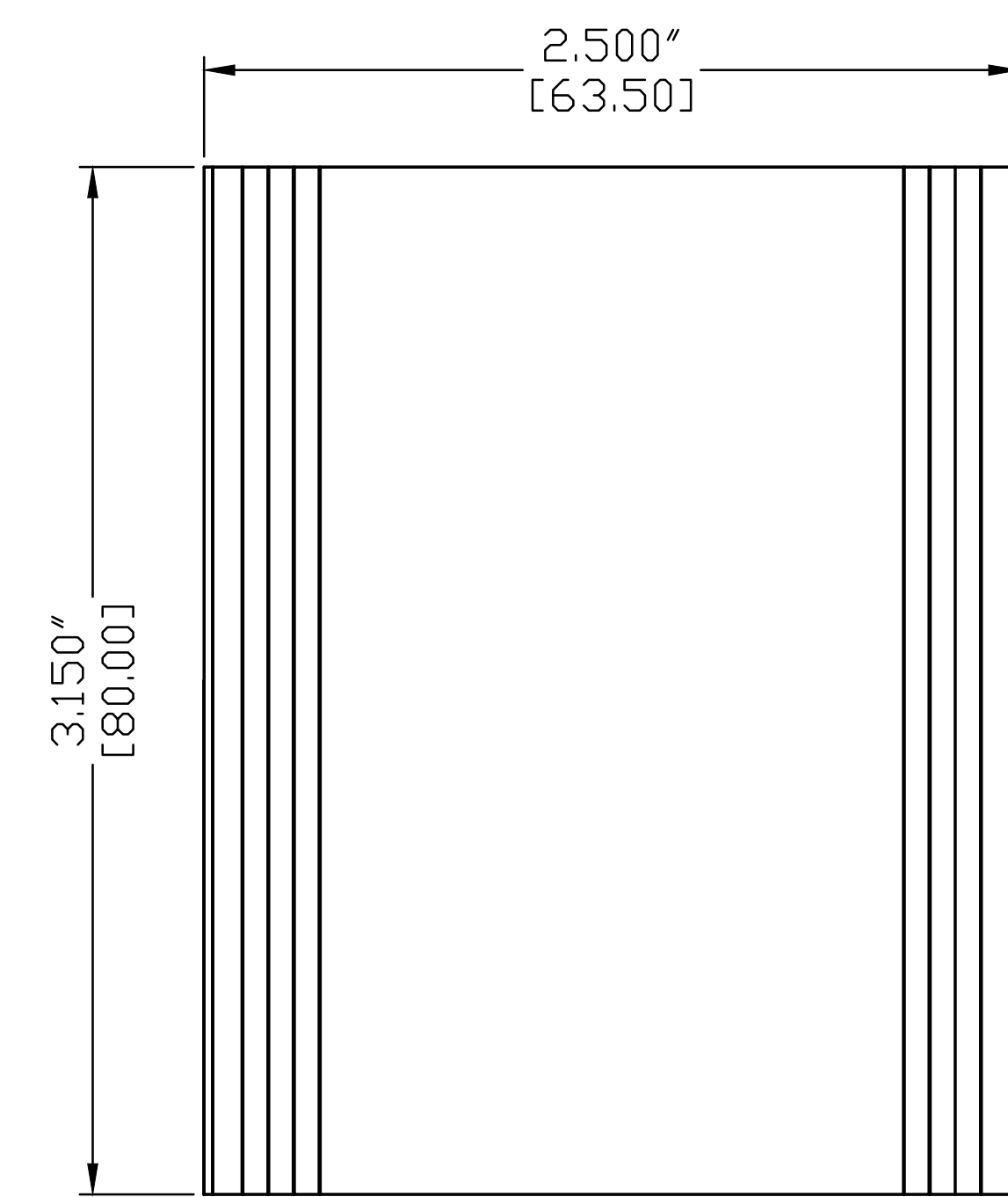
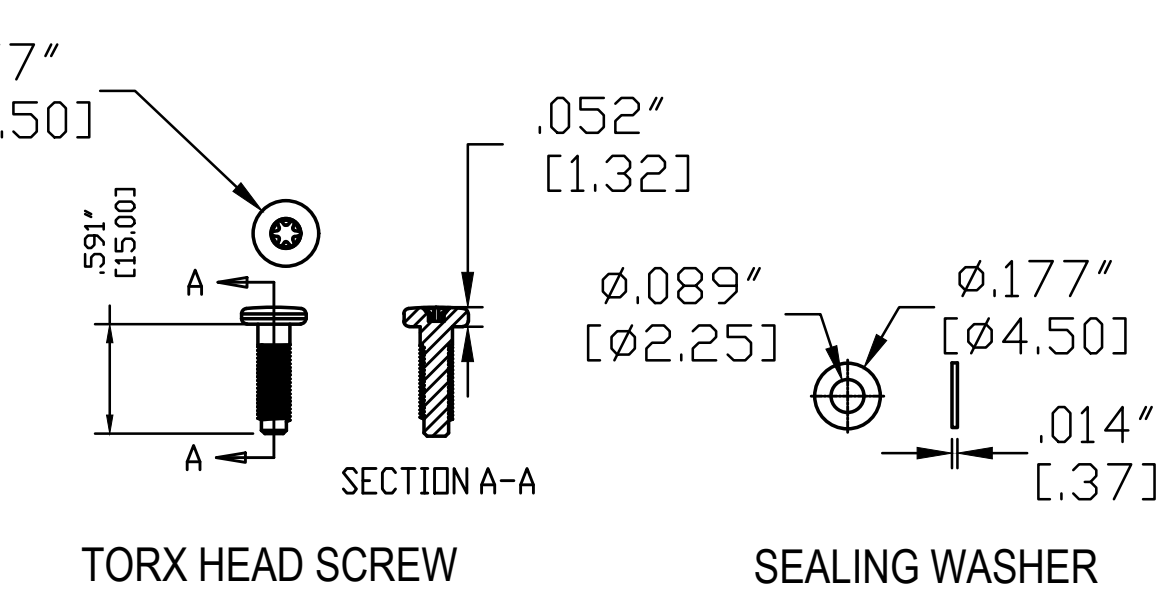
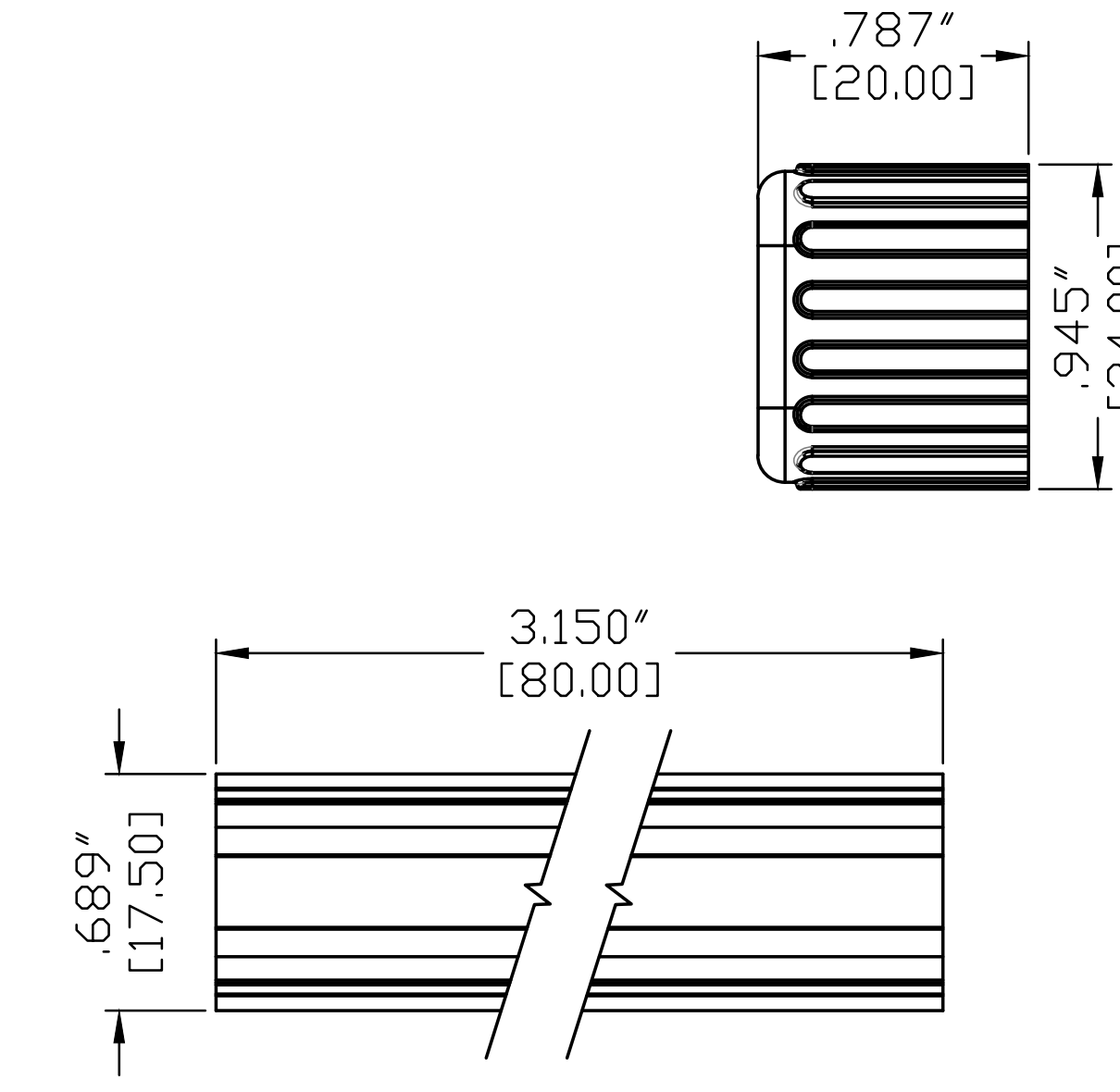
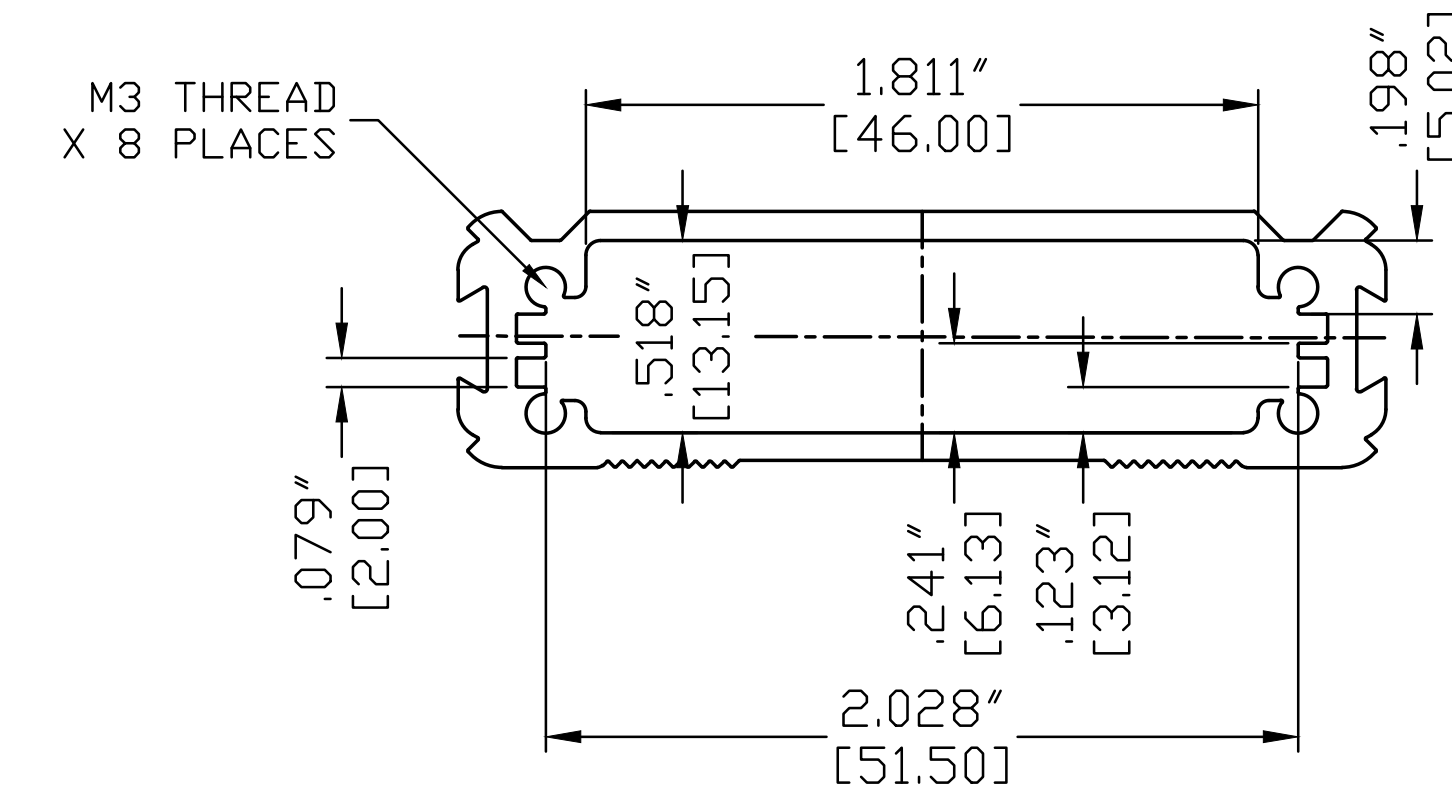
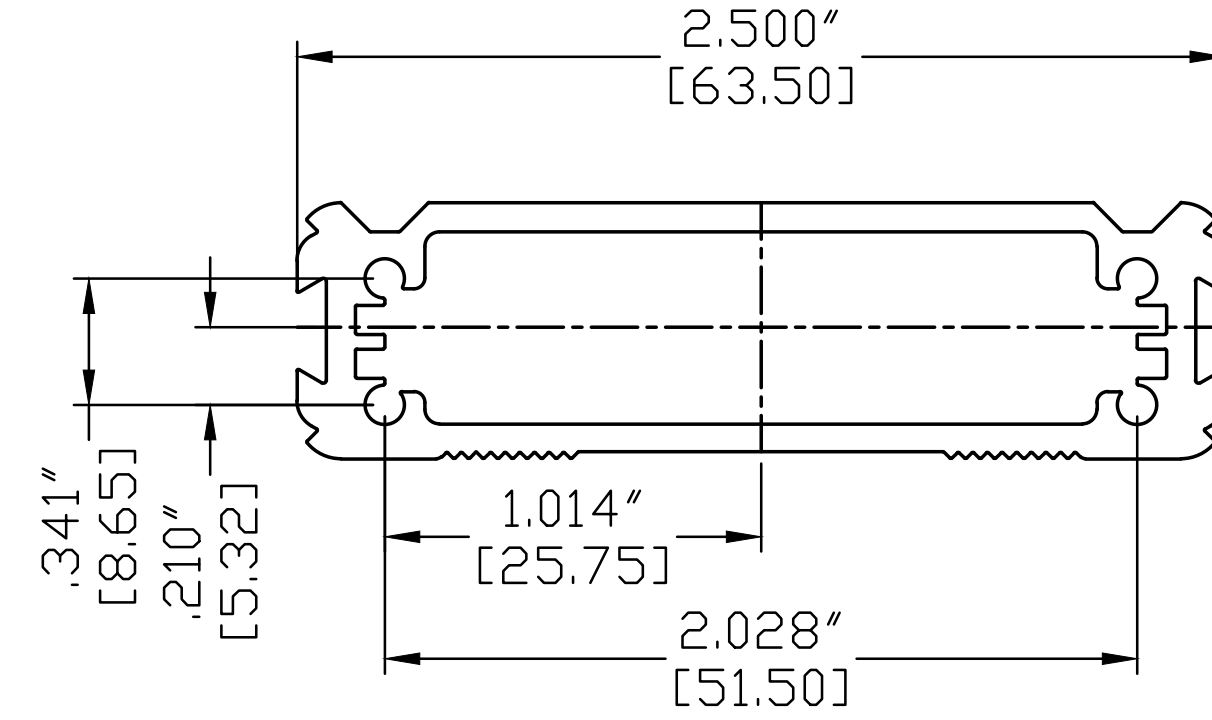


END PLATE

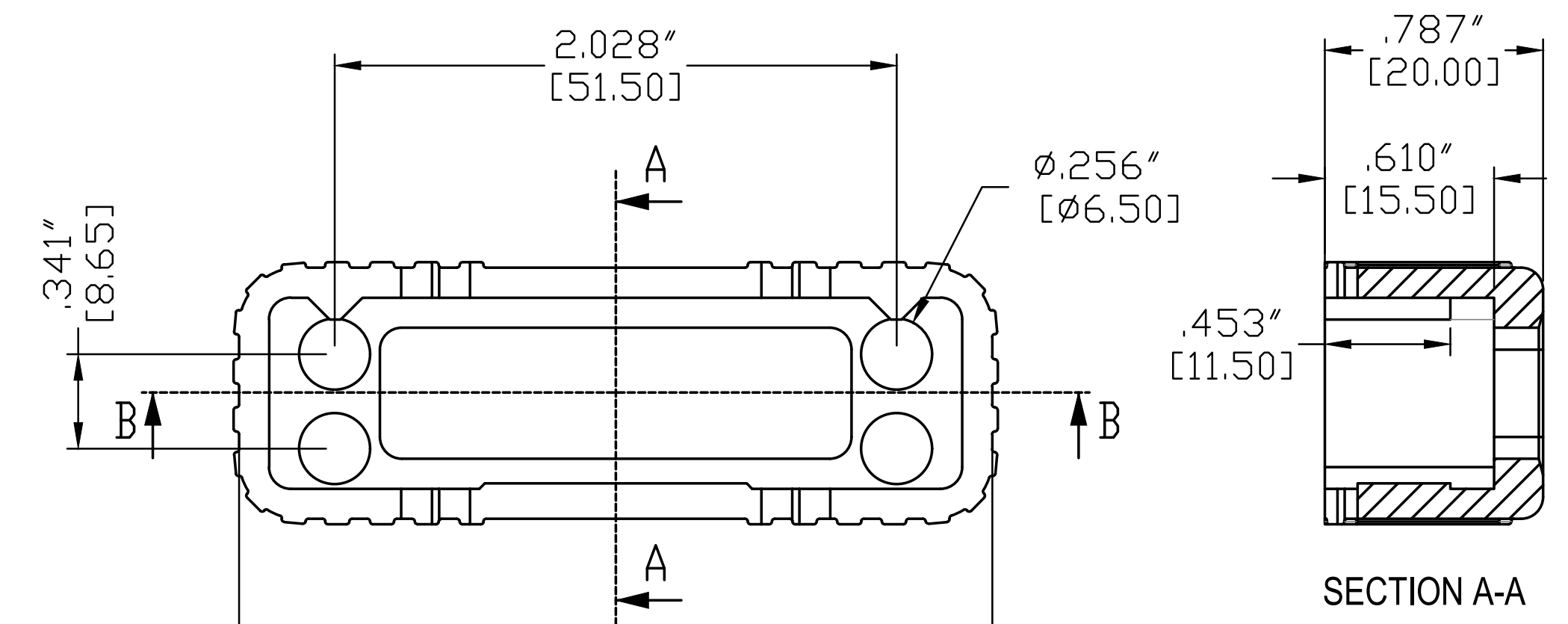
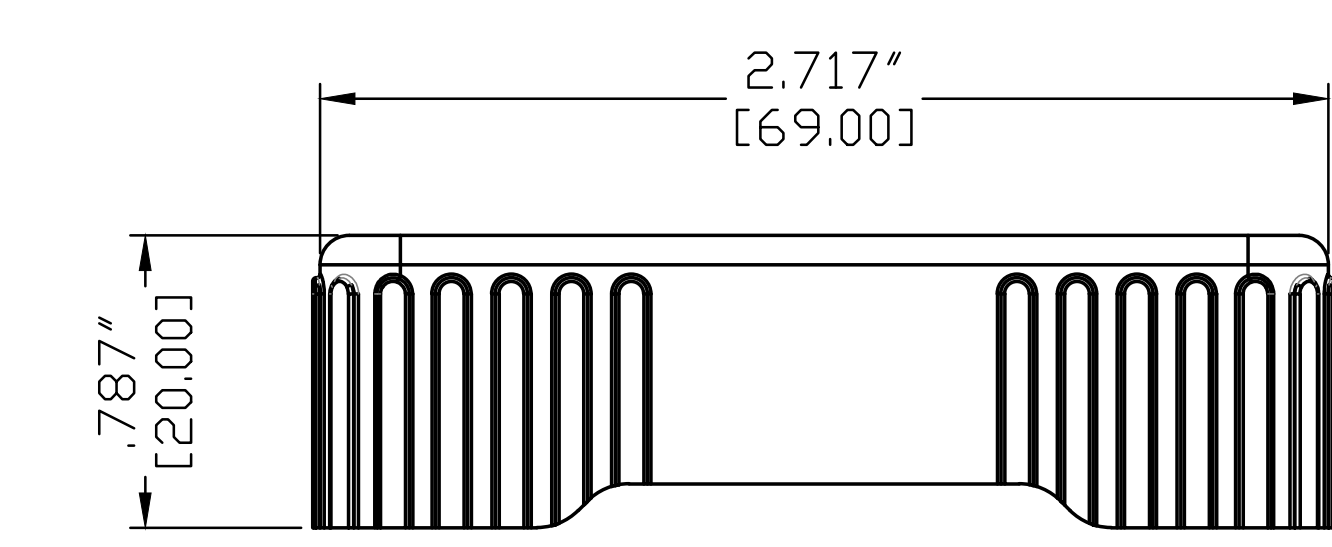


SK-1S SEALING KIT
 OPTIONAL ACCESSORY

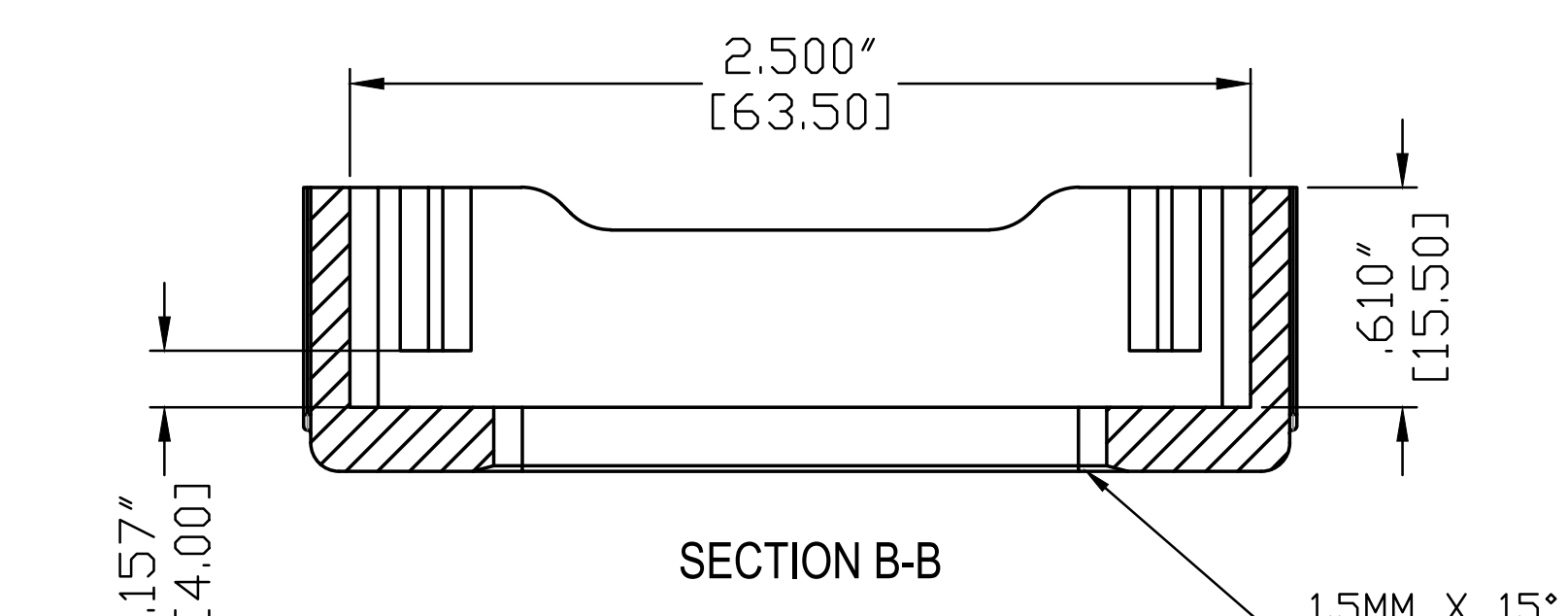


TORX HEAD SCREW

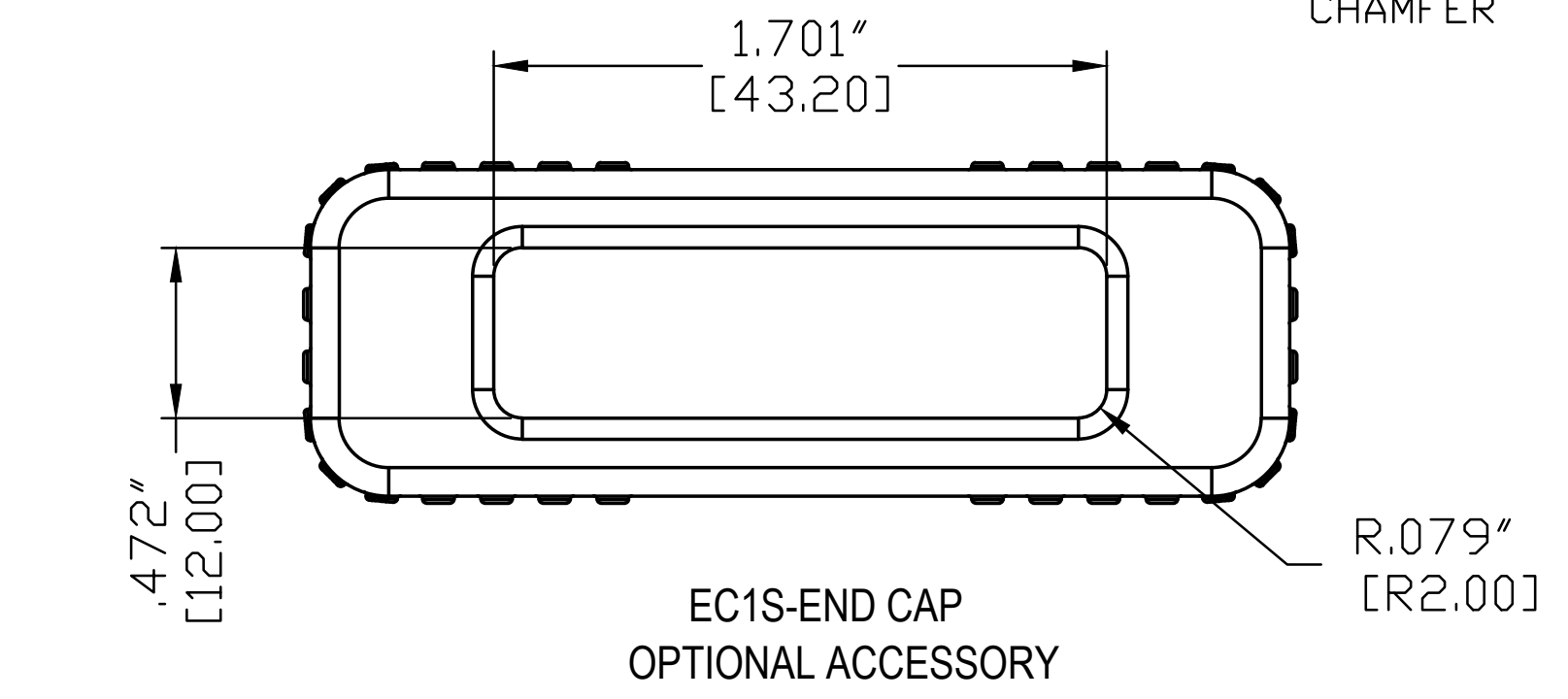
SEALING WASHER



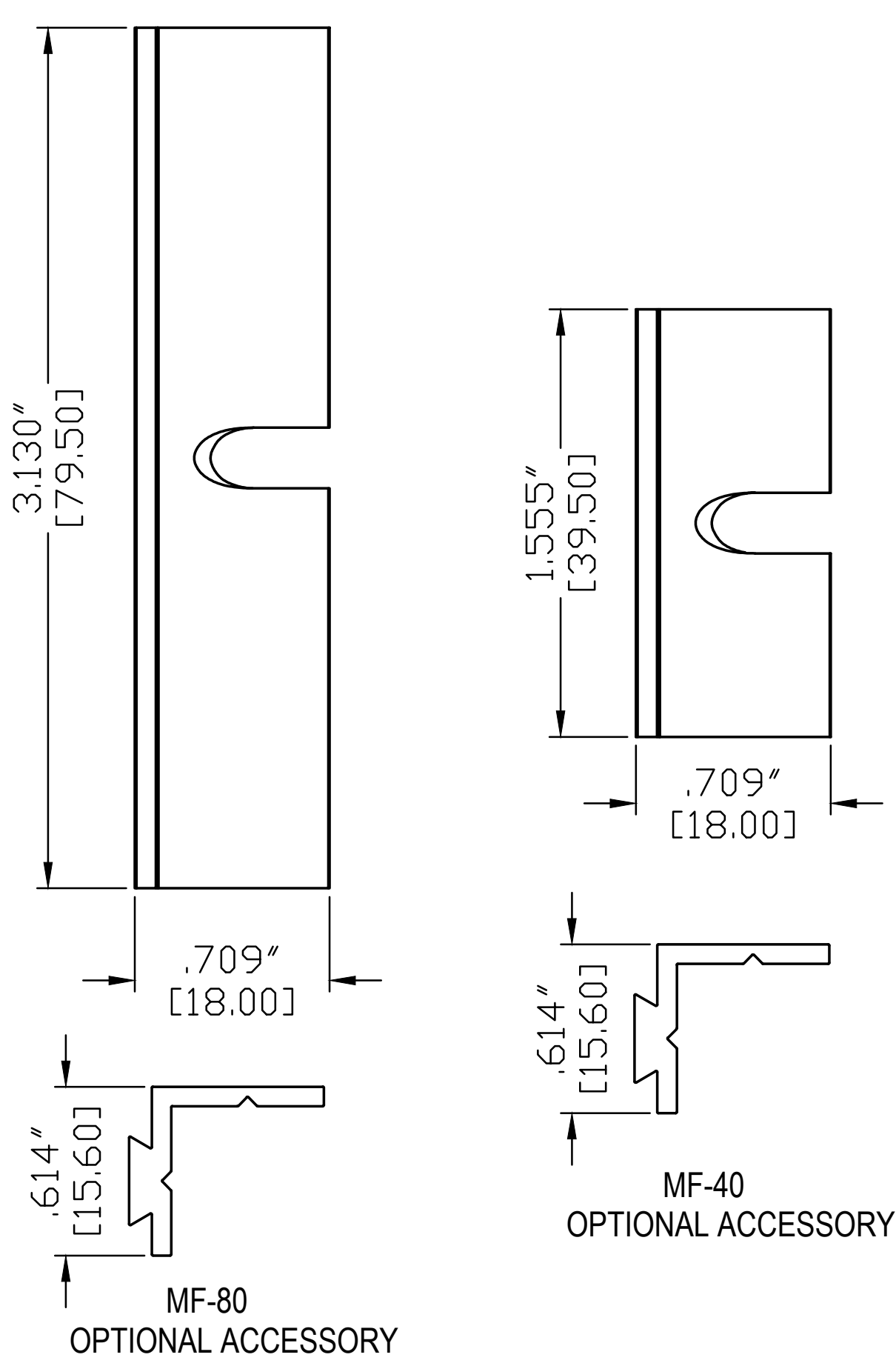
SECTION A-A



SECTION B-B

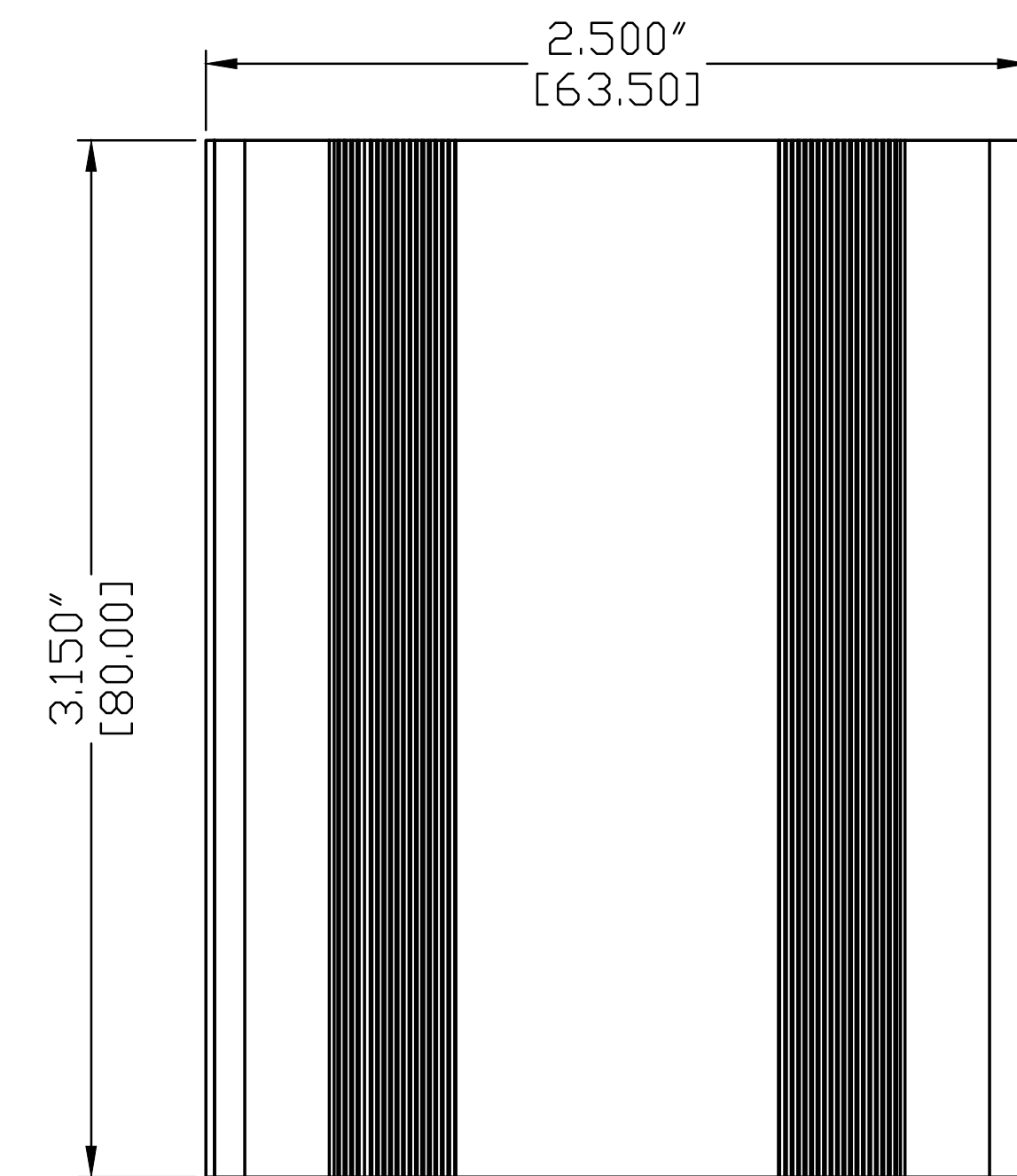


EC1S-END CAP
 OPTIONAL ACCESSORY



MF-80
 OPTIONAL ACCESSORY

MF-40
 OPTIONAL ACCESSORY



Mounting Flanges
 Optional Accessory
 (Sold individually)

40 mm Mounting Flange Part #	Color
MF40-BK	Black
MF40-BL	Blue
MF40-GD	Gold
MF40-GR	Green
MF40-RD	Red
MF40-SI	Silver

COLOR LEGEND

Part #	Anodized Color	80 mm Mounting Flange Part #	Color
BIS-080 BK	Black	MF80-BK	Black
BIS-080 BL	Blue	MF80-BL	Blue
BIS-080 GD	Gold	MF80-GD	Gold
BIS-080 GR	Green	MF80-GR	Green
BIS-080 RD	Red	MF80-RD	Red
BIS-080 SI	Silver	MF80-SI	Silver

Optional End Caps (sold in pairs)		Sealing Kit - Optional Accessory	
Part #	Color	Part #	Description
EC-1SBK	Black	SK-3	NEM 4/IP65 Sealing kit for ALL B-3 Series Enclosures
EC-1SBL	Blue		
EC-1SGN	Green		
EC-1SRD	Red		
EC-1SGY	Gray		

Revision: 6.1
 Model:

Title	B1S-080 MASTER DRAWING	Dwg. No.:	Part No.:
Material:	Aluminum 6063-T6(HE9)	Color:	Drn. Date Rudy 9/3/2019
Finish:	Anodized BS 1615	Qty:	Chk. Date
Proj.		Sheet	App. Date of

THIS DRAWING IS THE PROPERTY OF AND MAY EMBODY PROPRIETARY INFORMATION OWNED BY Box Enclosures. IT IS PROVIDED UNDER A CONFIDENTIAL RELATIONSHIP FOR A SPECIFIC PURPOSE. THE RECIPIENT AGREES TO USE IT ONLY FOR SUCH PURPOSE AND RETURN IT TO Box Enclosure UPON REQUEST.

TOLERANCE
 all dimension in mm
 unless otherwise specified

1-5	±0.10
5-50	±0.30
50-200	±0.50

ANGLE ±0.5°