



ENCLOSING ELECTRONICS ONE BOX AT A TIME

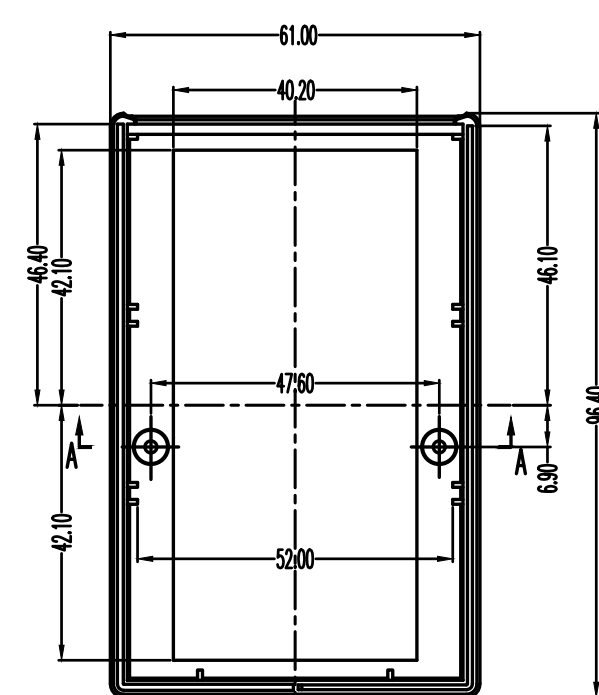
BOX ENCLOSURES, INC
28835 N. HERKY DRIVE, #114,
LAKE BLUFF, IL 60044

ENCLOSURES & ASSEMBLY SERVICES
ENCLOSURES & ASSEMBLY SERVICES

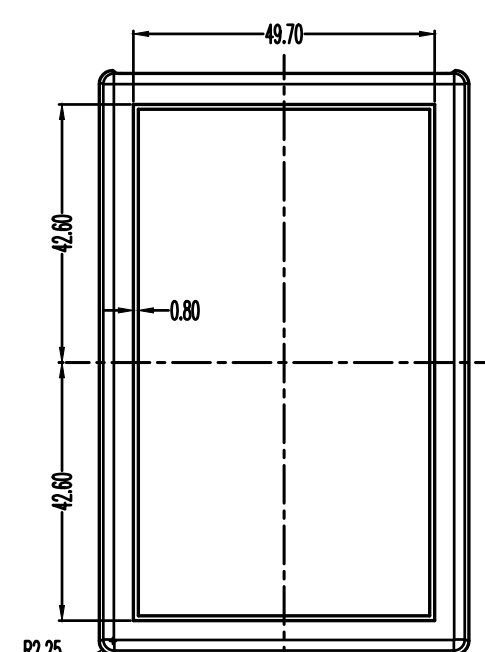
TEL: 847-932-4700

WWW.BOXENCLOSURES.COM

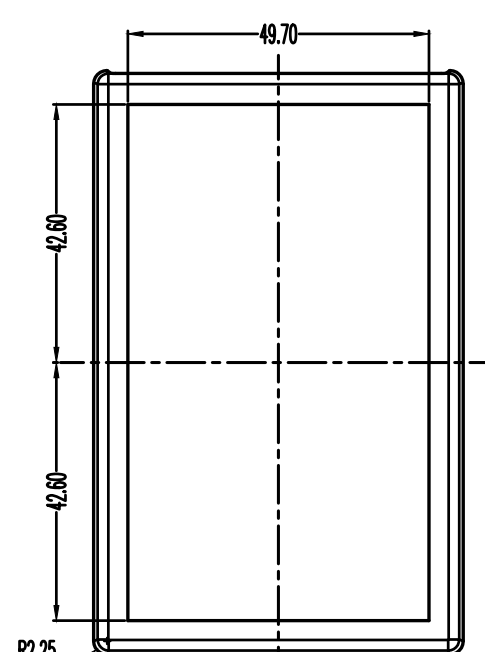
FAX: 847-932-4701



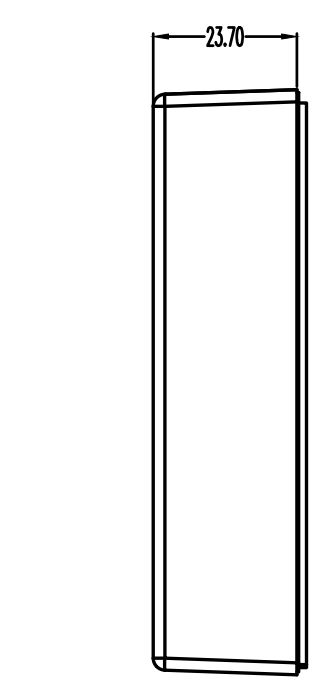
TOP-INSIDE



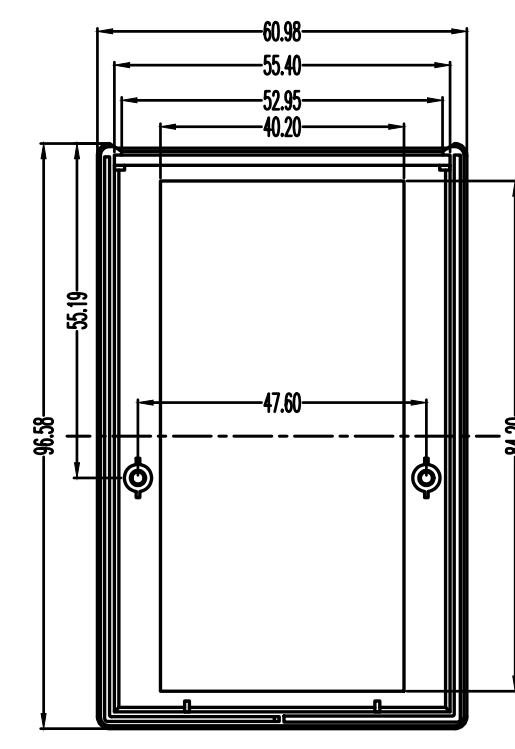
FLUSH TOP-OUTSIDE



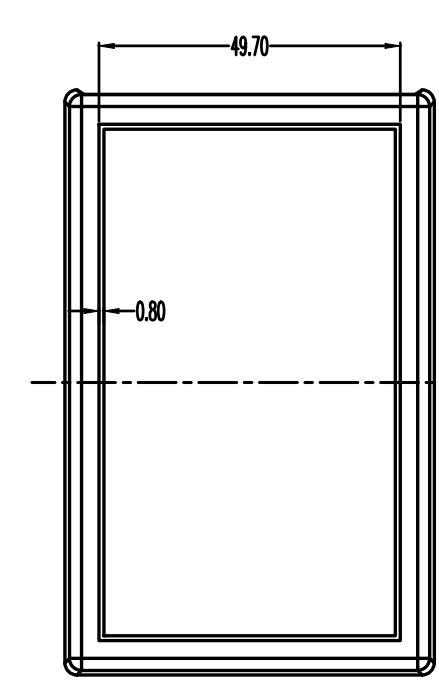
RECESSED TOP-OUTSIDE



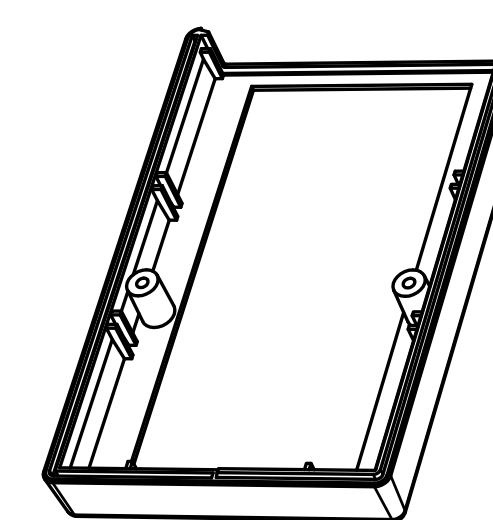
RECESSED TOP-OUTSIDE



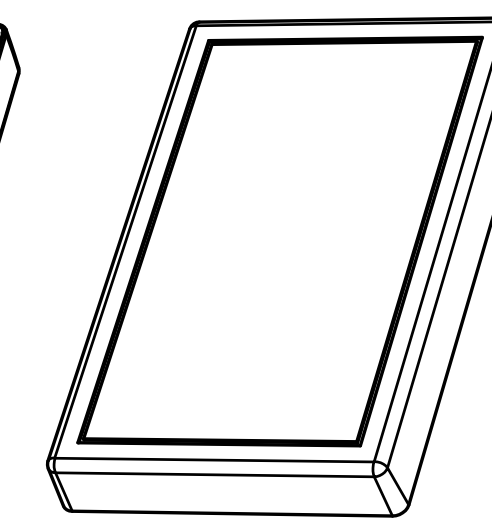
DEEP TOP-INSIDE



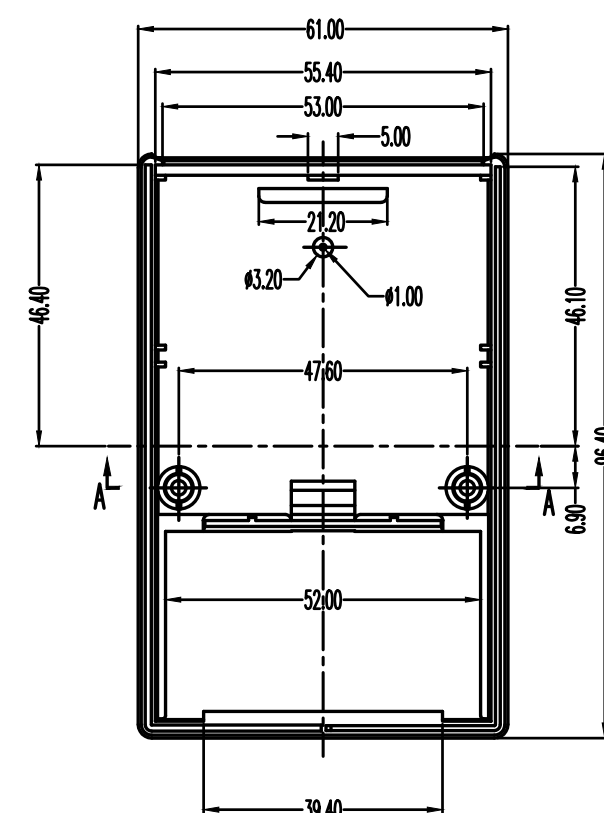
DEEP TOP-OUTSIDE



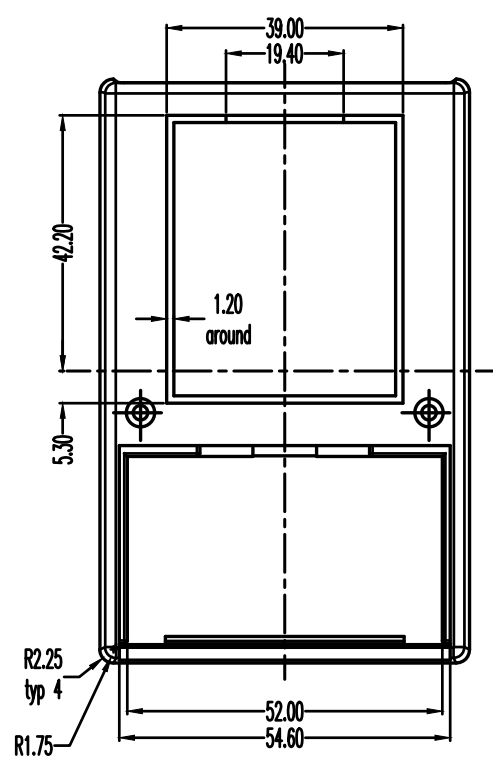
TOP-INSIDE



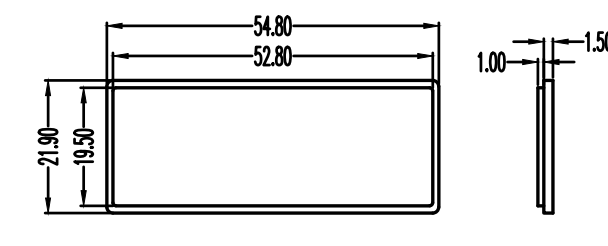
TOP-OUTSIDE



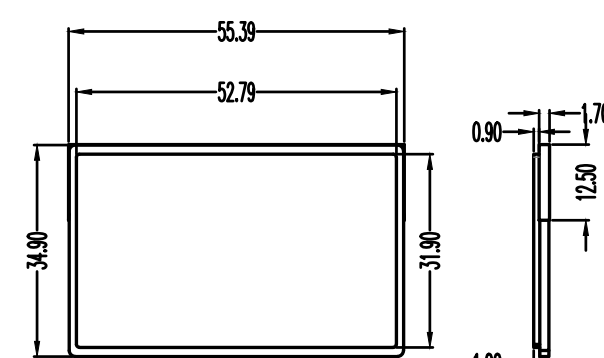
BOTTOM-INSIDE



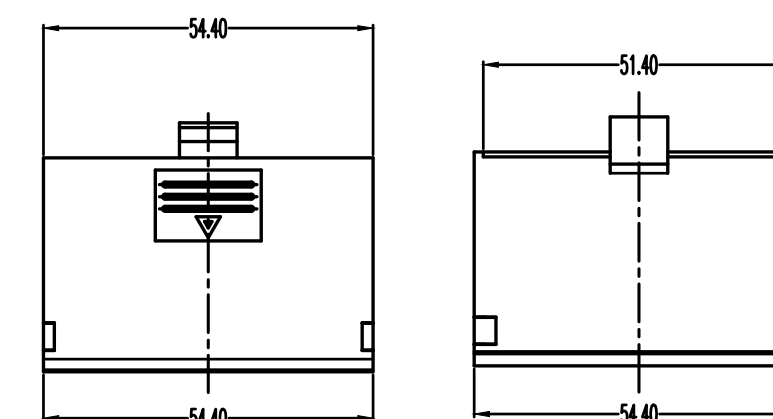
BOTTOM-OUTSIDE



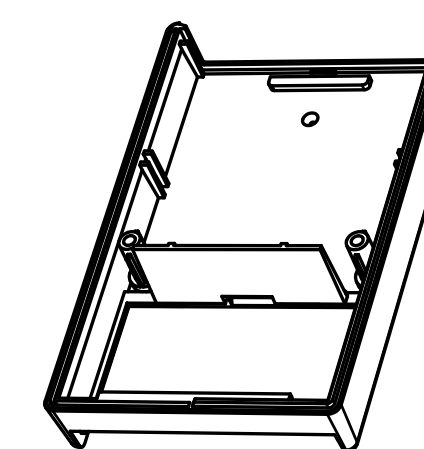
STANDARD PLATE



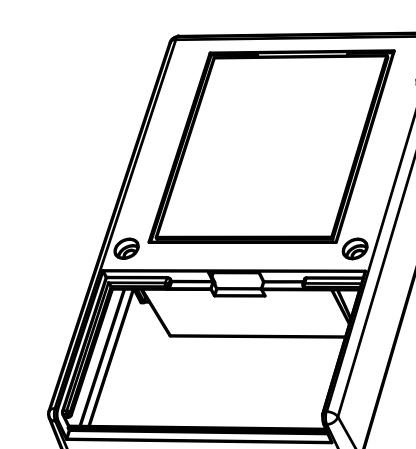
DEEP PLATE



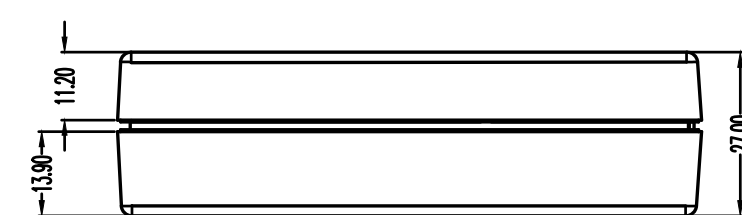
OUTSIDE BATTERY-DOOR INSIDE



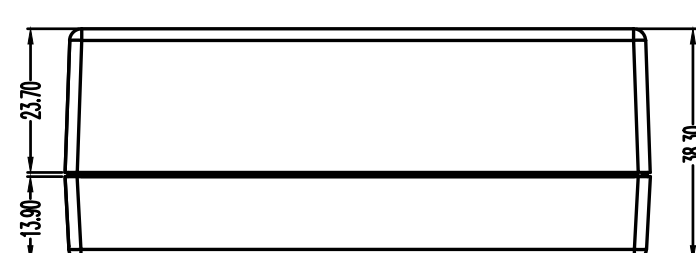
BOTTOM-INSIDE



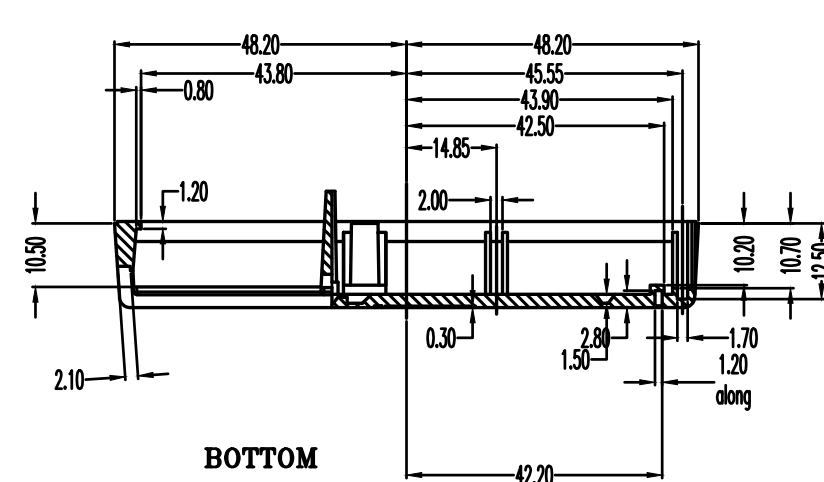
BOTTOM-OUTSIDE



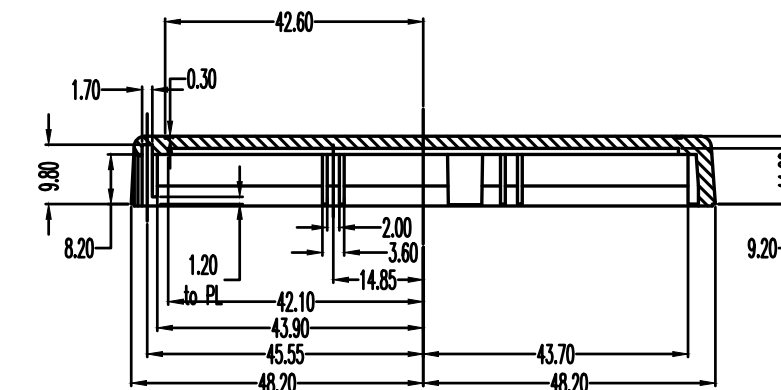
SIDE VIEW



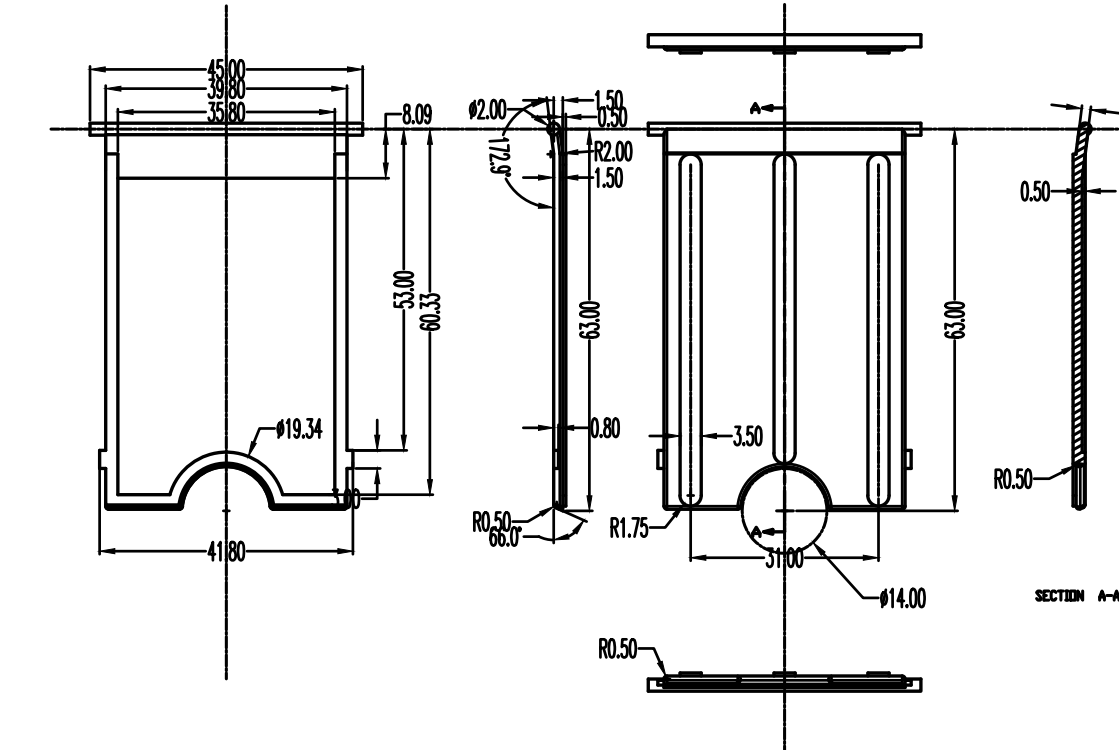
DEEP TOP SIDE VIEW



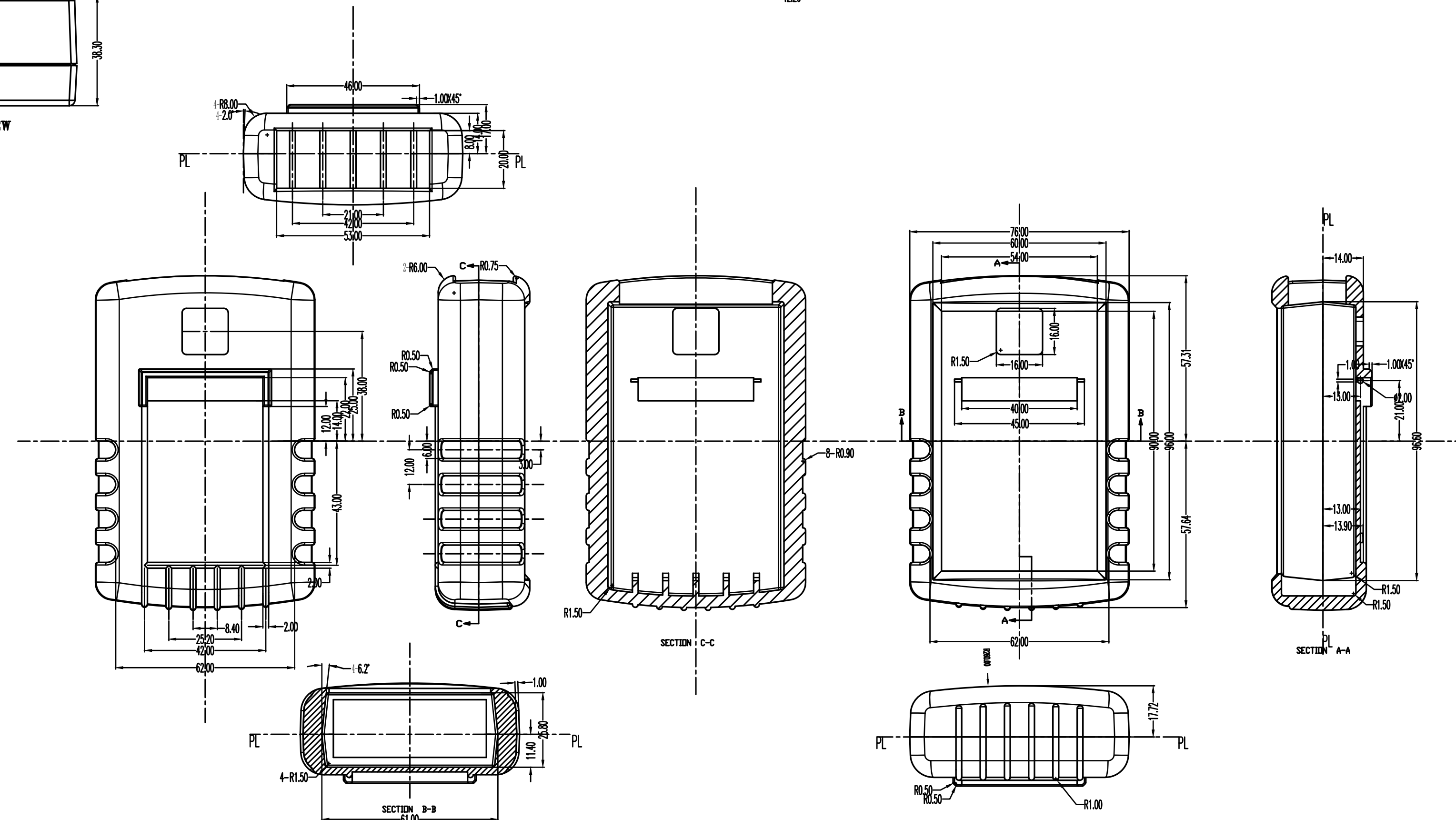
BOTTOM



TOP



SECTION A-A



SECTION C-C

SECTION A-A

SECTION B-B



ENCLOSING ELECTRONICS ONE BOX AT A TIME

ENCLOSURES & ASSEMBLY SERVICES

Revision:

Model:

Title 40-SERIES

Dwg. No.:

Part No.:

Material:

TOLERANCE
all dimension in mm
unless otherwise specified.

Color:

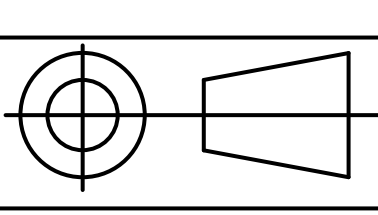
Drn. Date
RFK 10/18/19

Finish:

Qty:

Chk. Date

Proj.



x ±0.20
.x ±0.10
.xx ±0.05
ANGLE ±0.5°

A4 Sheet
1 of 1

App. Date

THIS DRAWING IS THE PROPERTY OF AND MY EMBODY PROPRIETARY INFORMATION OWNED BY BOX ENCLOSURES. IT IS PROVIDED UNDER A RELATIONSHIP FOR A SPECIFIC PURPOSE. THE RECIPIENT AGREES TO USE IT ONLY FOR SUCH PURPOSE AND RETURN IT TO BOX ENCLOSURES UPON REQUEST.