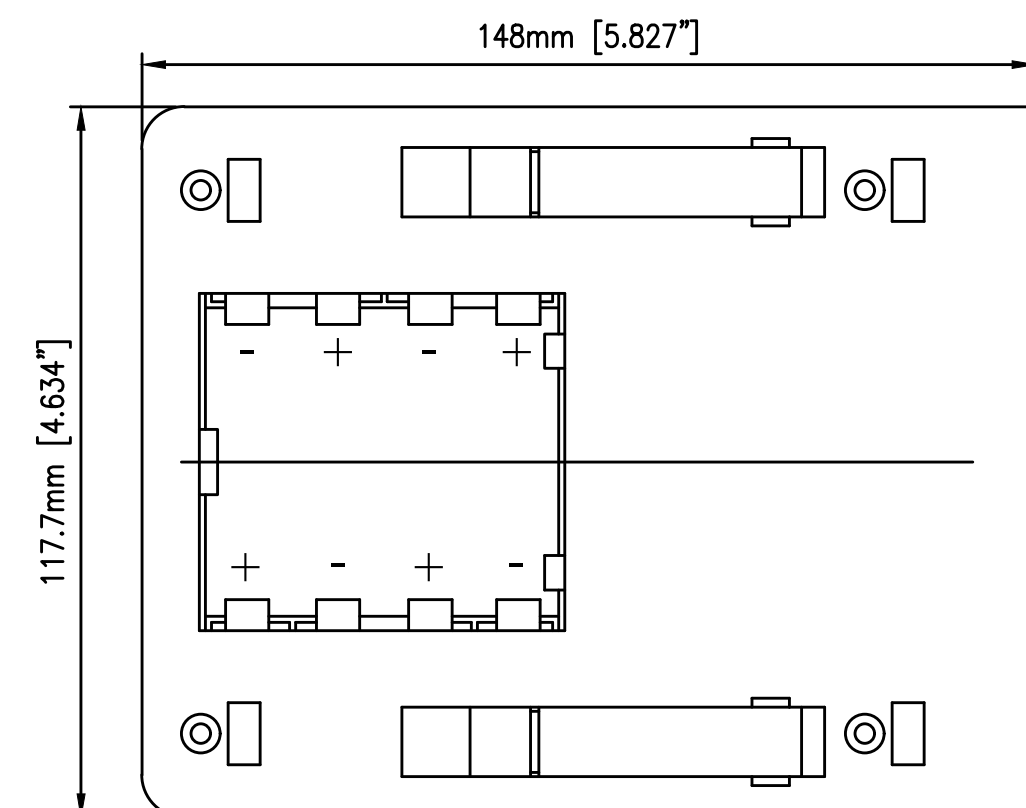
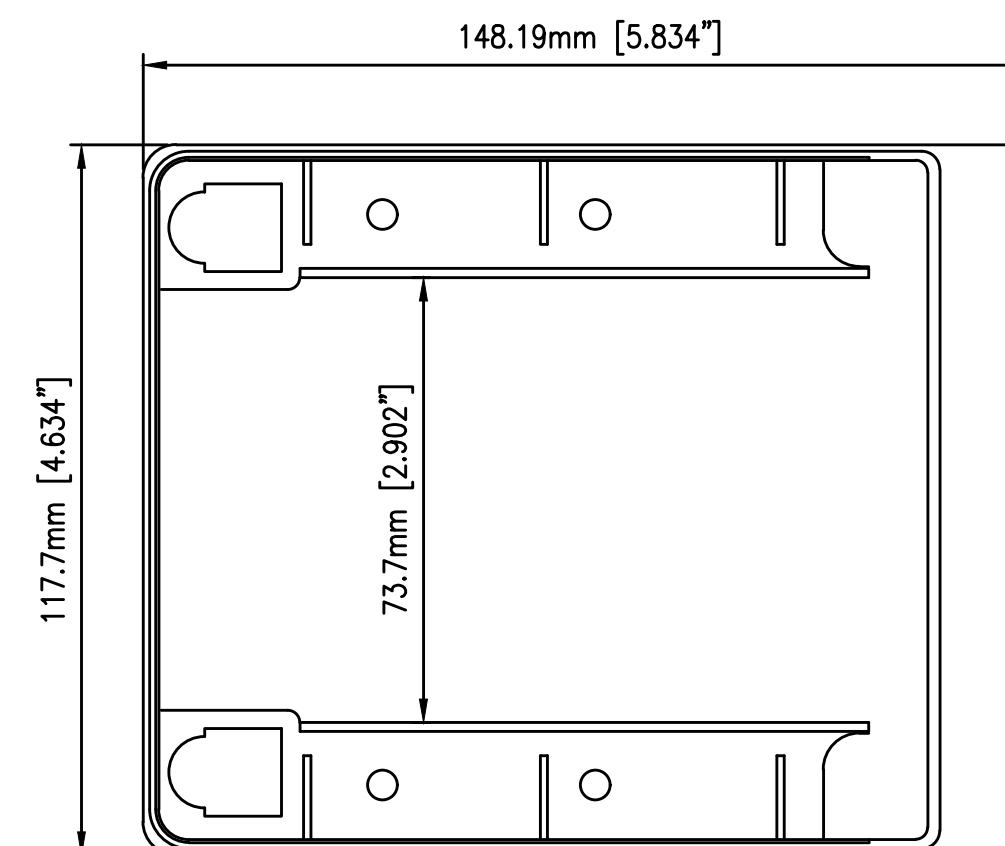


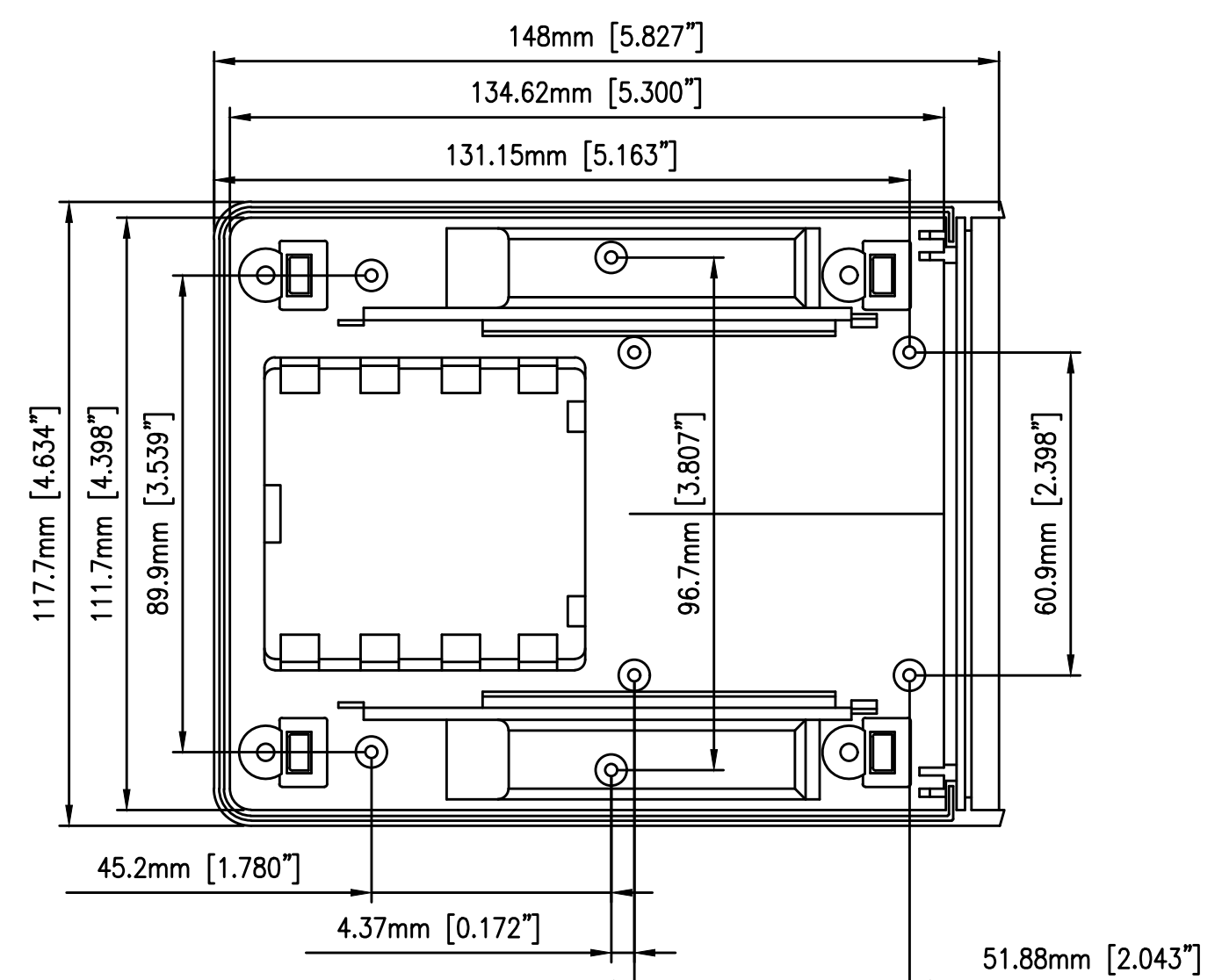
Top-Inside



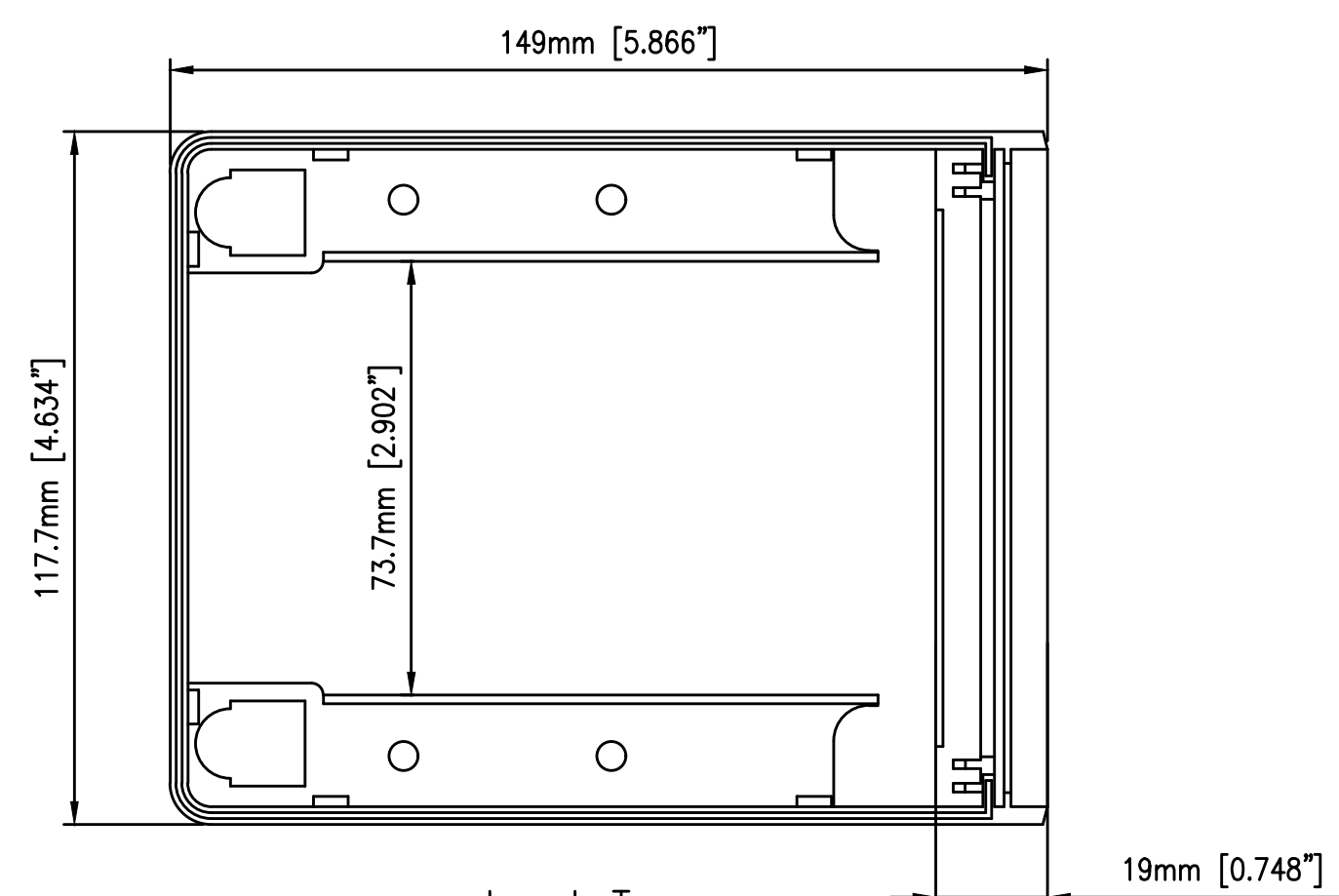
Bottom-Outside



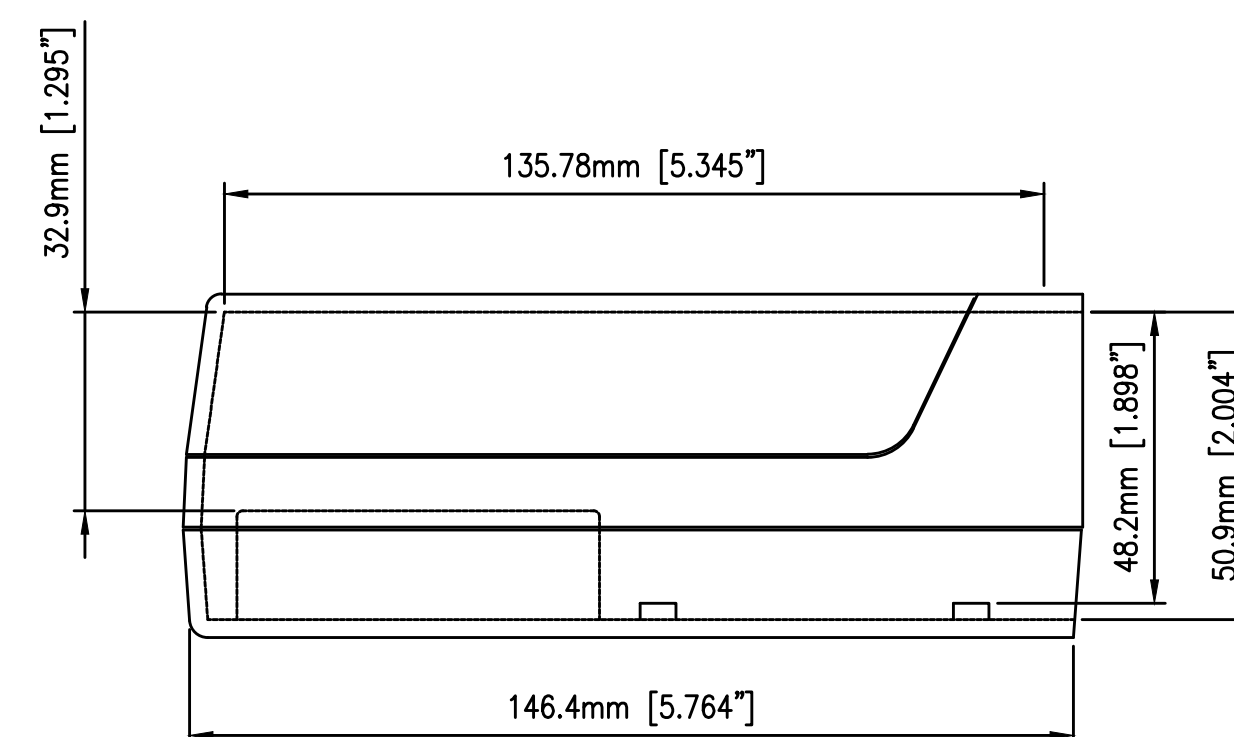
Insert-Bottom



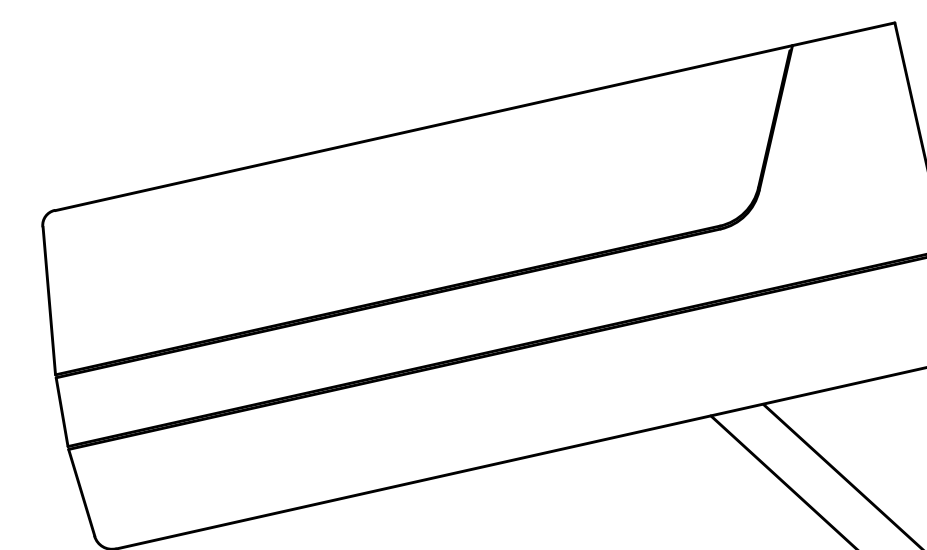
Bottom-Inside



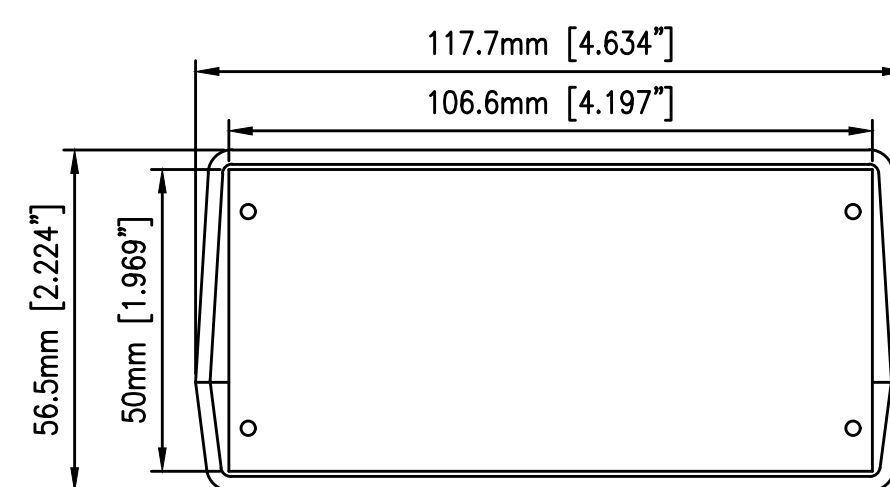
Insert-Top



Side View



Optional Foot



End View

Title Eng. Drawing E size Master

DATE 5/1/19	BOX # PRO-637 & 687	Drn. by R.F.K.
SCALE 1:1	SHEET 1 of 1	REV 19.A