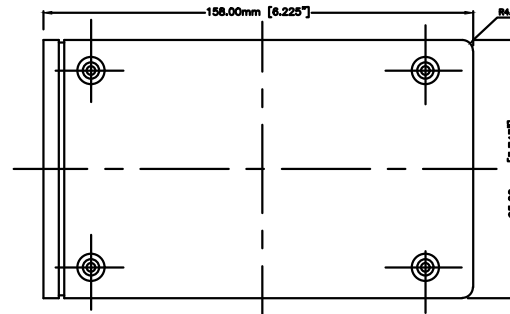
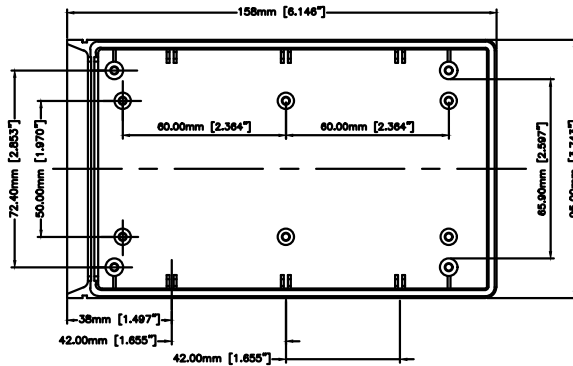


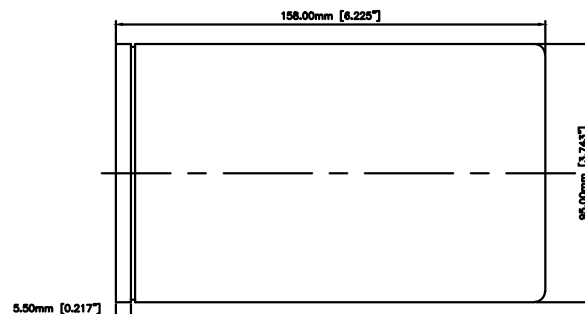
BOTTOM-INSIDE



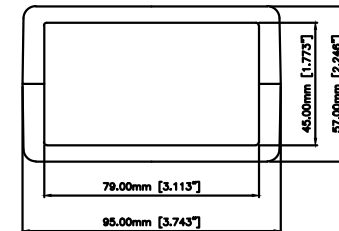
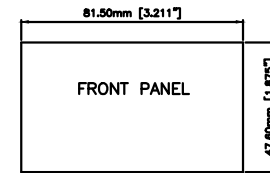
BOTTOM-OUTSIDE



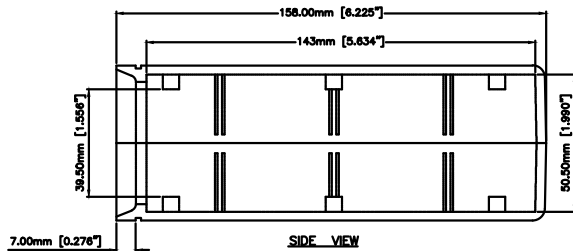
TOP-INSIDE



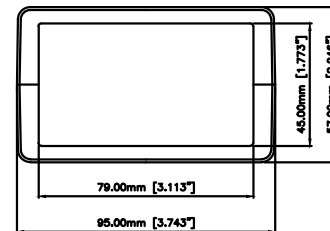
TOP-OUTSIDE



BACK END VIEW



SIDE VIEW



FRONT END VIEW

Title Eng. Drawing C size Master

DATE 4/5/19	BOX # UOOM-220-MASTER	Drn. by R.F.K.
SCALE 1:1	SHEET 1 of 1	REV 19.A

Max. PCB size: Top & Bottom 85x142mm
 (Cutout of pillars not taken into consideration)

THIS DRAWING IS THE PROPERTY OF AND MAY EMBODY PROPRIETARY INFORMATION OWNED BY Box Enclosures® IT IS PROVIDED UNDER A CONFIDENTIAL RELATIONSHIP FOR A SPECIFIC PURPOSE. THE RECIPIENT AGREES TO USE IT ONLY FOR SUCH PURPOSE AND RETURN IT TO Box Enclosures® UPON REQUEST.