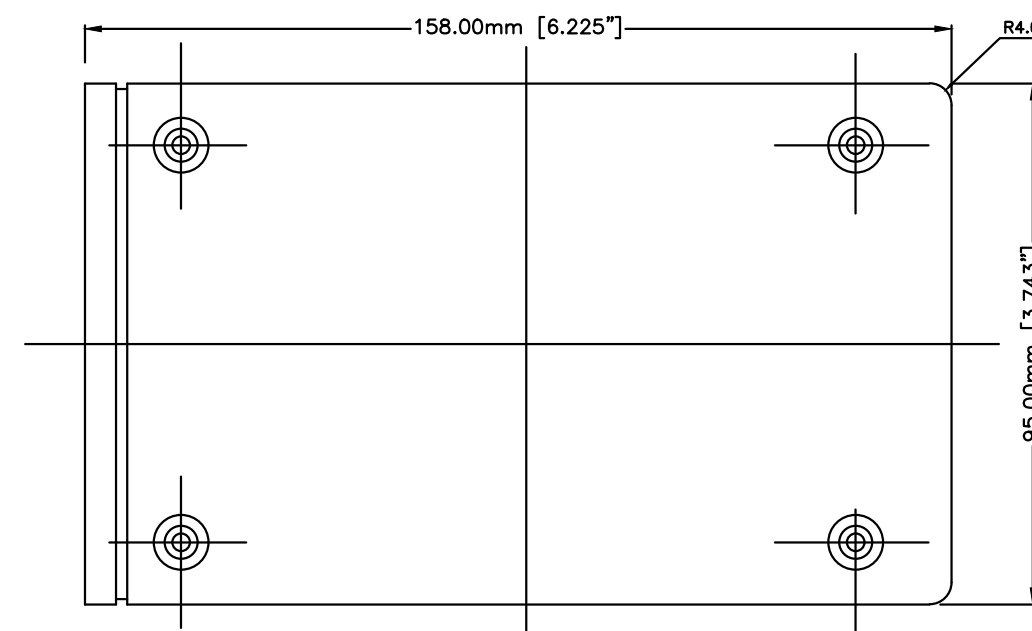
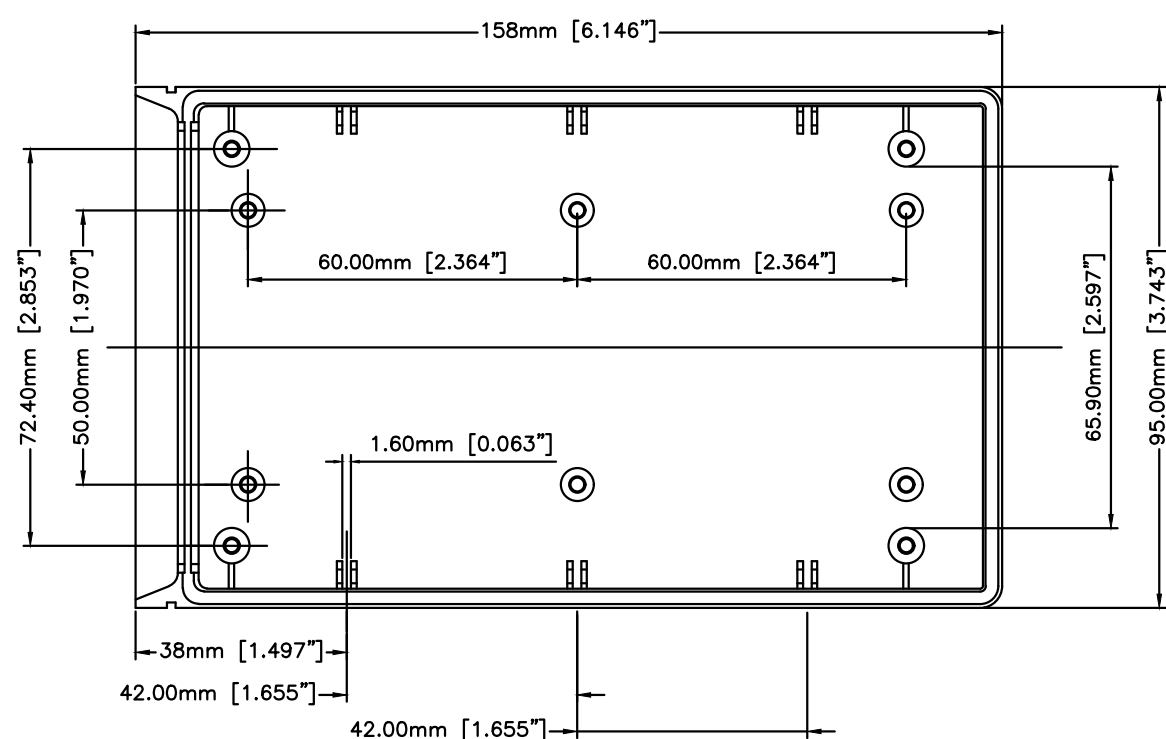


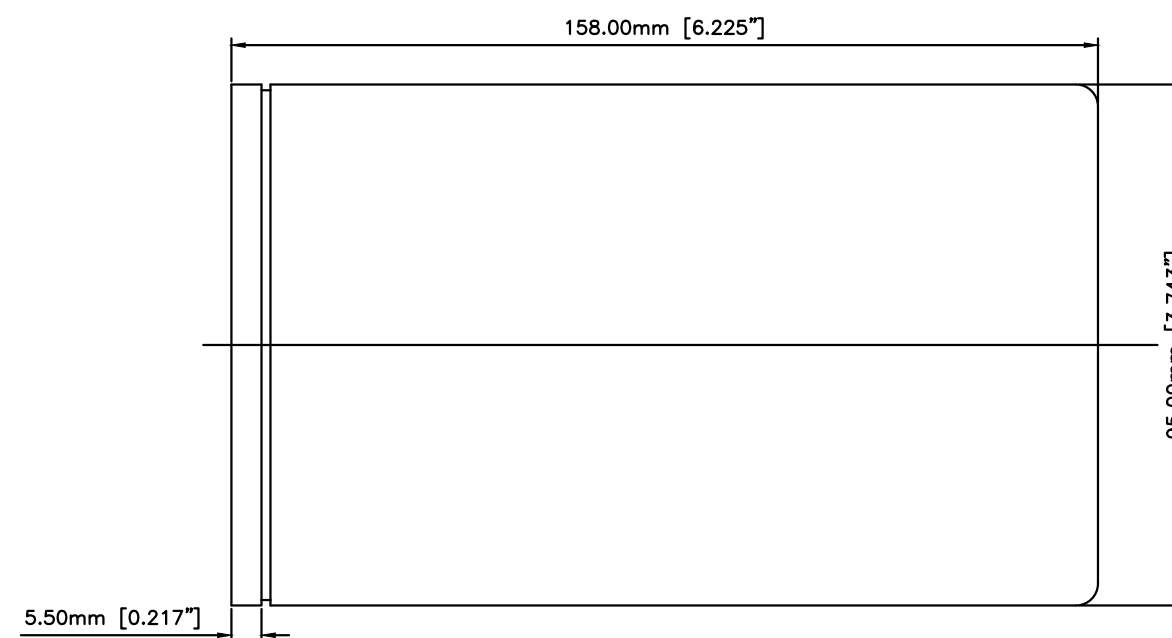
BOTTOM-INSIDE



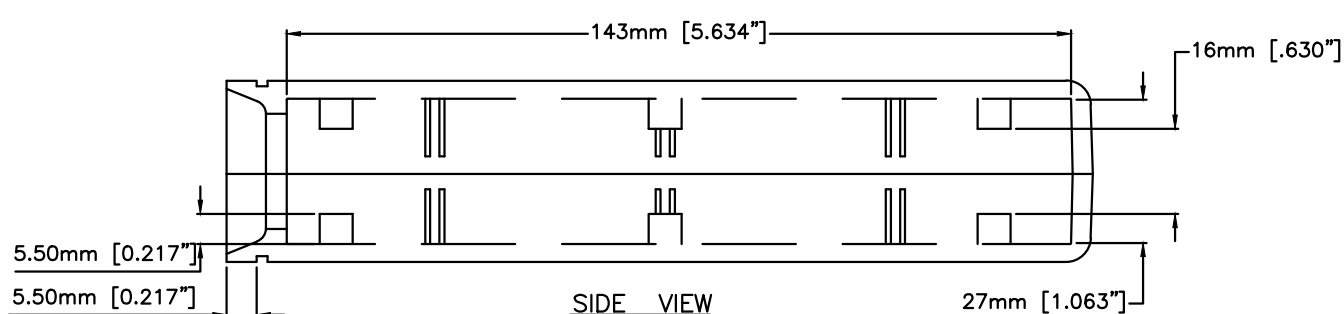
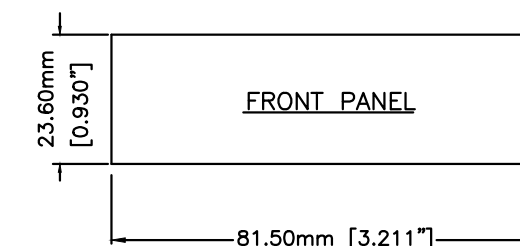
BOTTOM-OUTSIDE



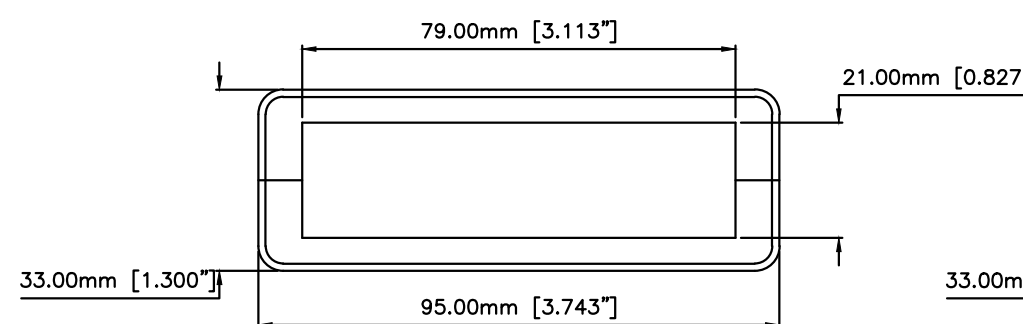
TOP-INSIDE



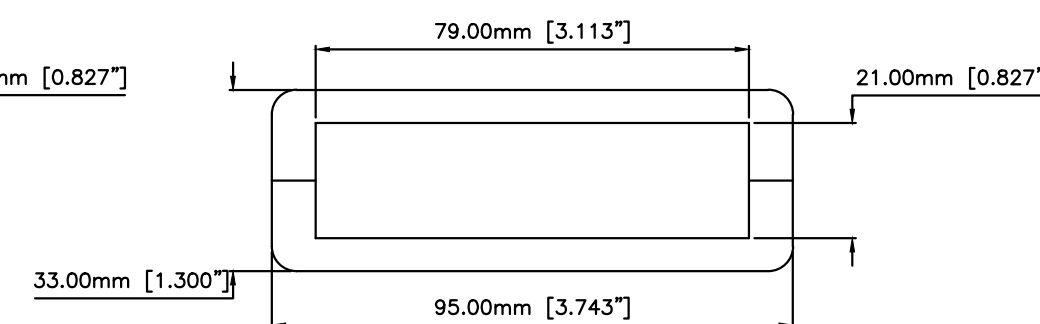
TOP-OUTSIDE



SIDE VIEW



FRONT END VIEW



BACK END VIEW

Max. PCB size: Bottom 85 x 113mm, Top 85 x 142mm  
(Cutout of pillars not taken into consideration)

THIS DRAWING IS THE PROPERTY OF AND MAY EMBODY PROPRIETARY INFORMATION OWNED BY Box Enclosures® IT IS PROVIDED UNDER A CONFIDENTIAL RELATIONSHIP FOR A SPECIFIC PURPOSE. THE RECIPIENT AGREES TO USE IT ONLY FOR SUCH PURPOSE AND RETURN IT TO Box Enclosures® UPON REQUEST.