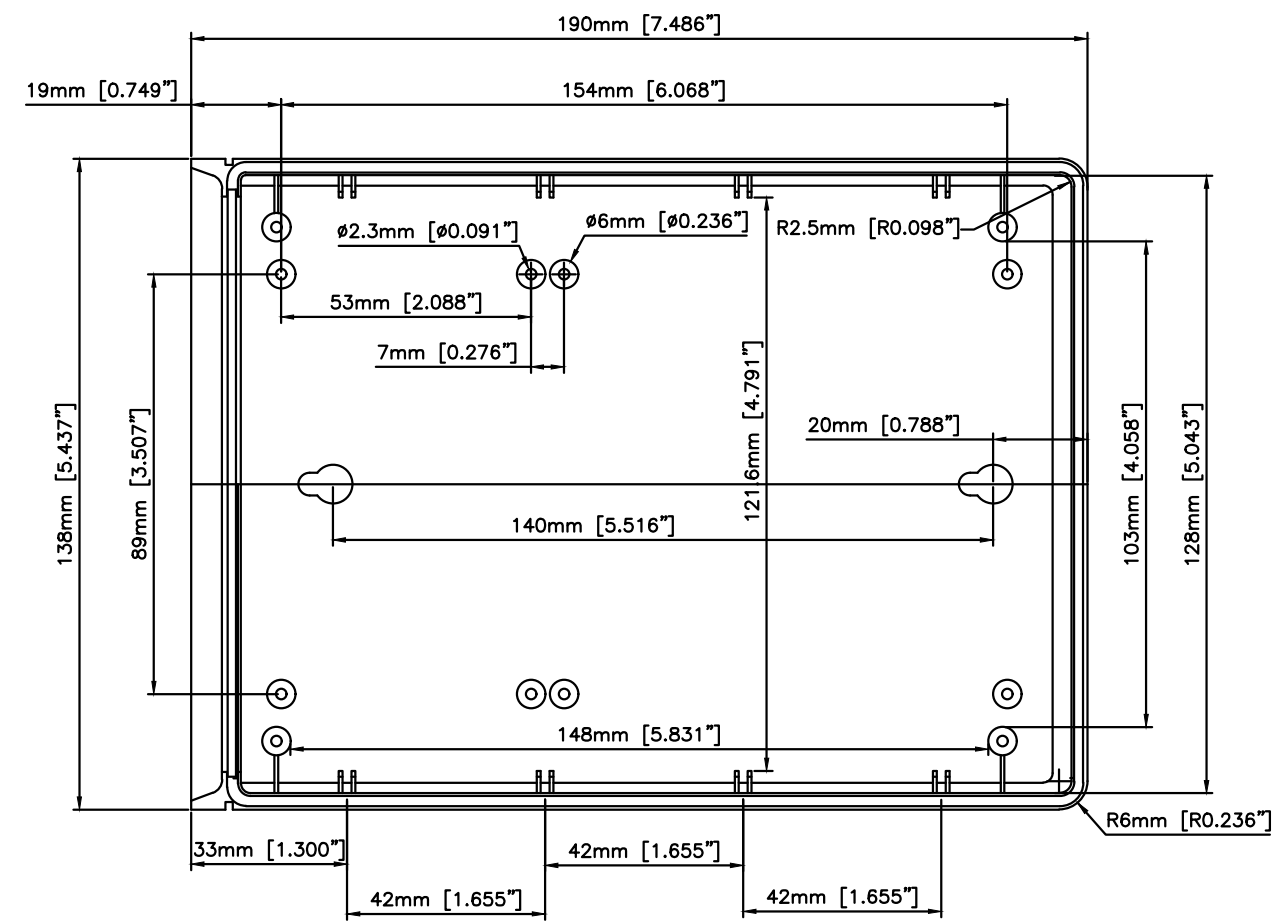
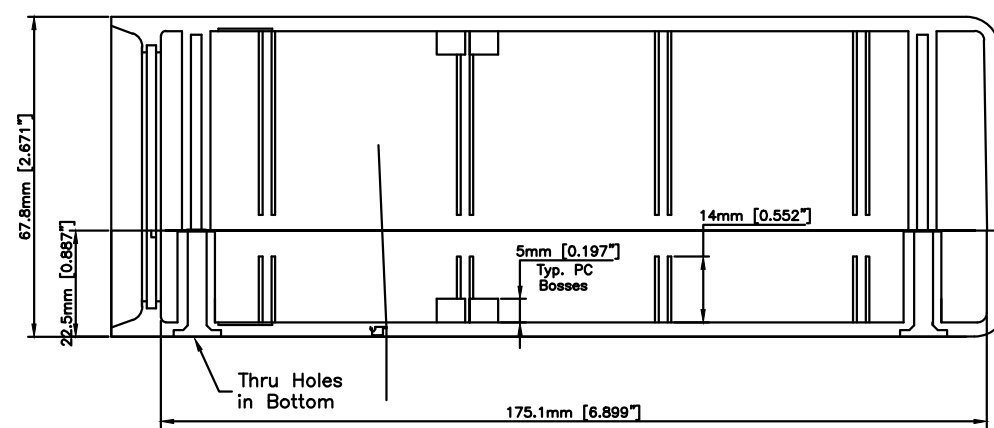


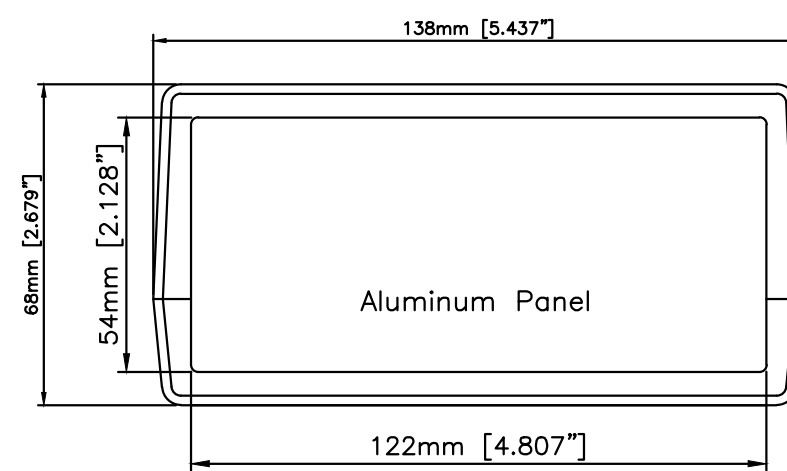
Bottom - Inside



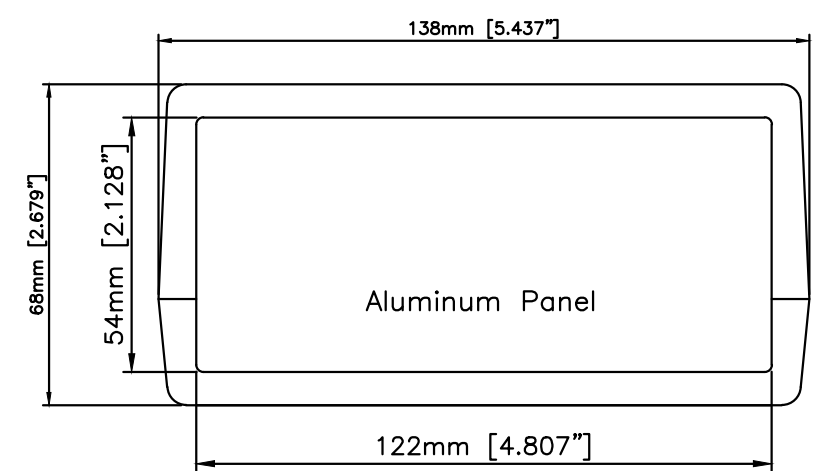
Top - Inside



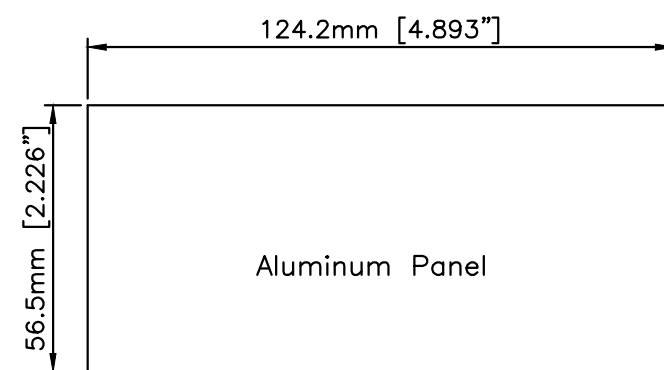
Side - View



Front End - View



Back End - View



Same internal dimensions for top and base.

Maximum PCB size: 118x175mm
(Cutouts for pillars not taken into consideration)