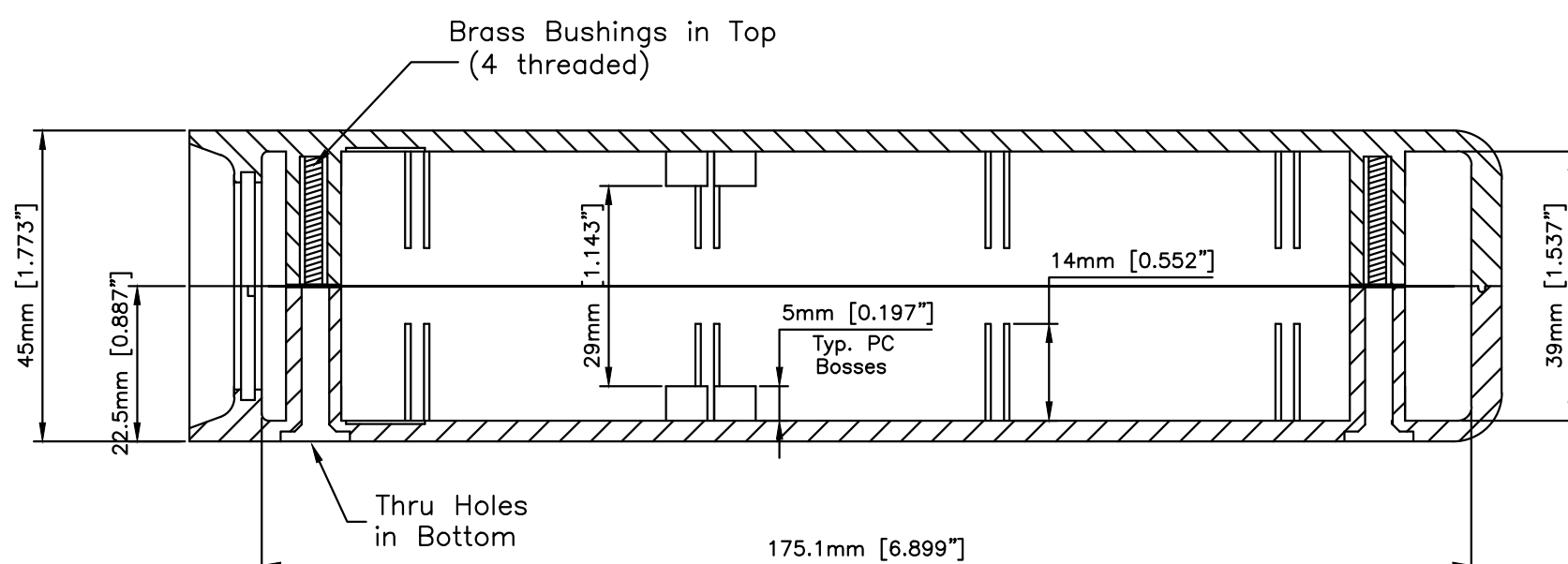


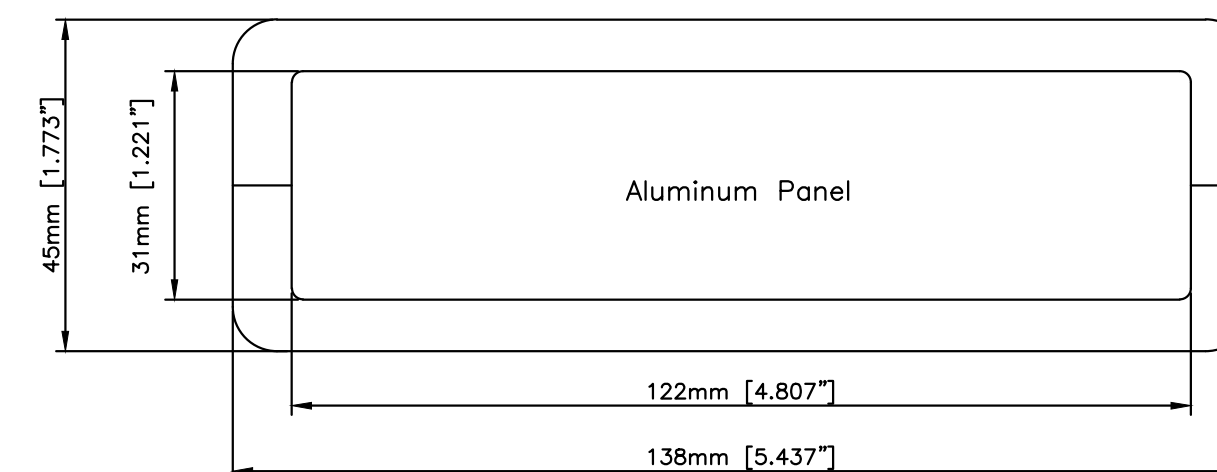
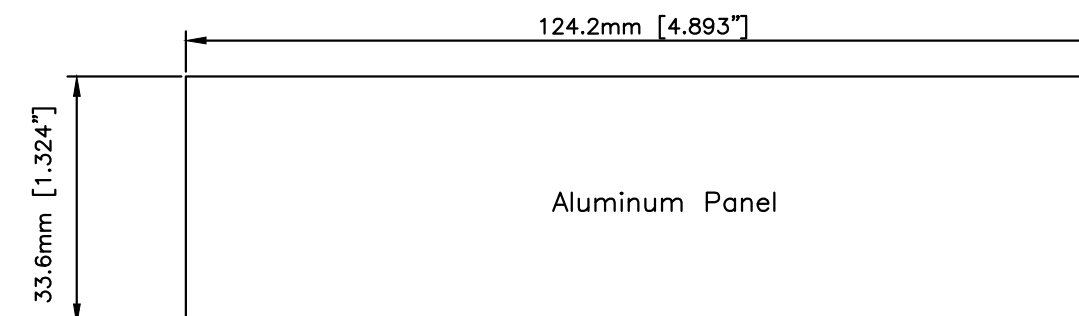
Bottom-Inside



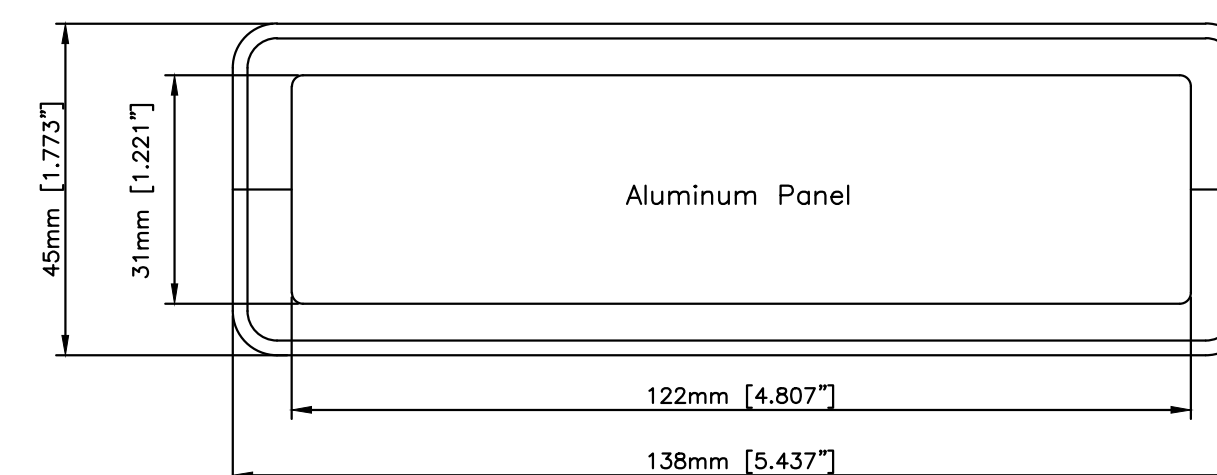
Side View

Top and bottom identical except for case assembly bushings in top (threaded) and thru assembly holes in bottom.

Maximum PCB size: 120x175mm  
 (Cutouts for pillars not taken into consideration)



Front End View



Back End View