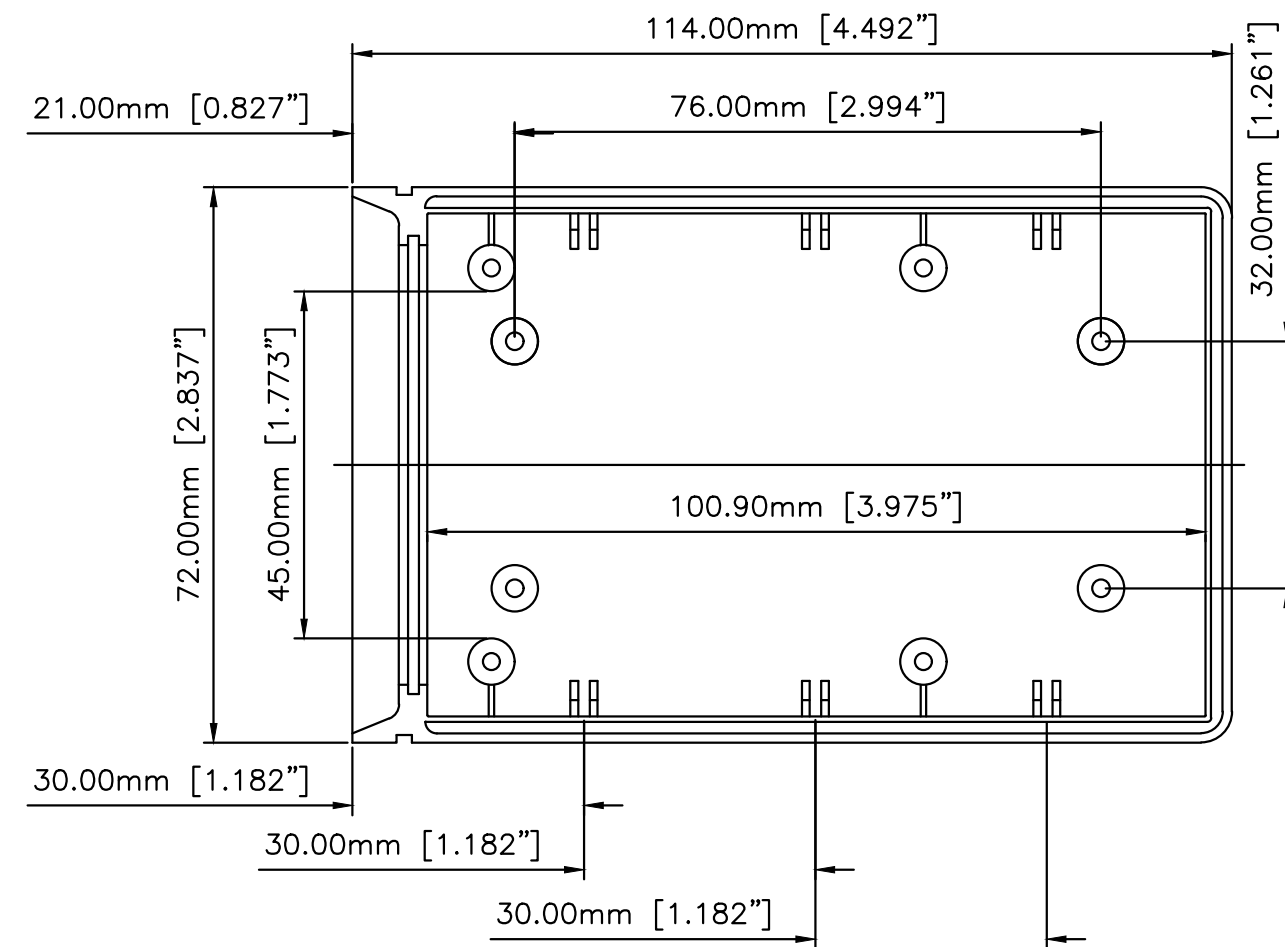
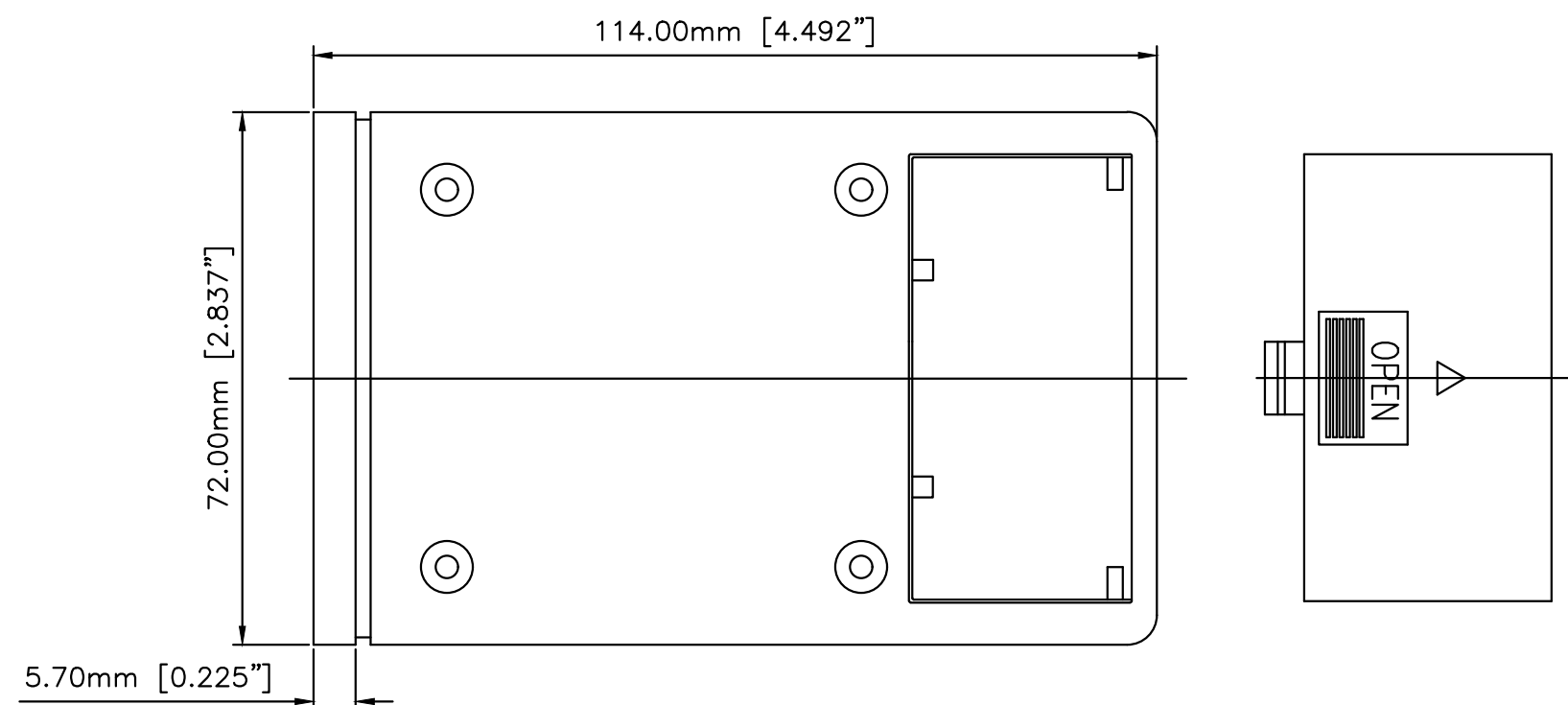


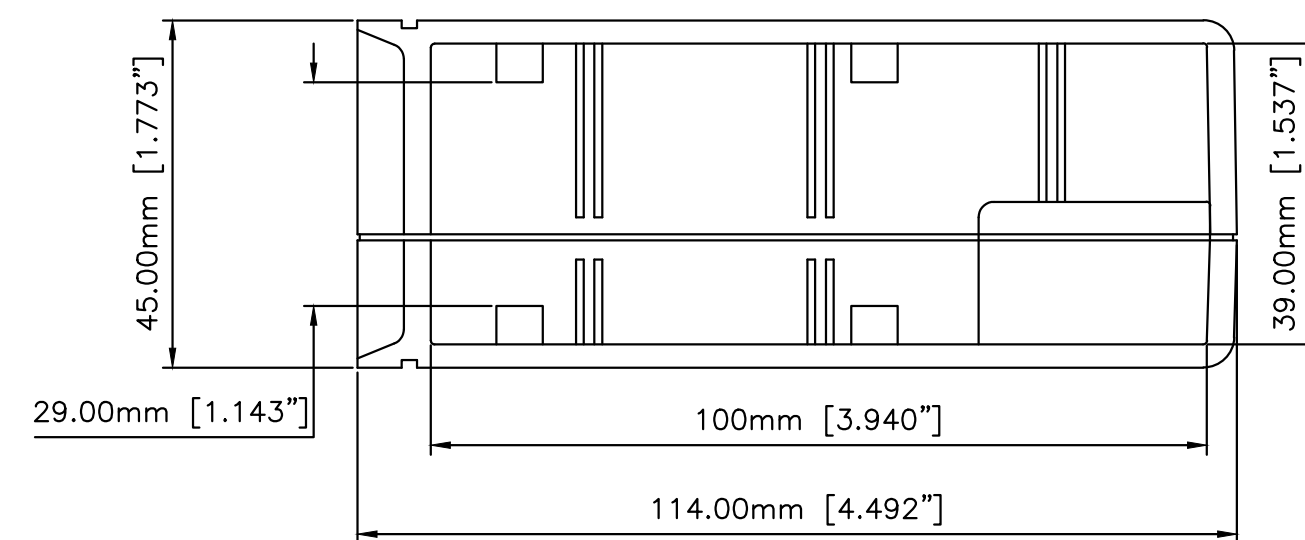
BOTTOM - INSIDE



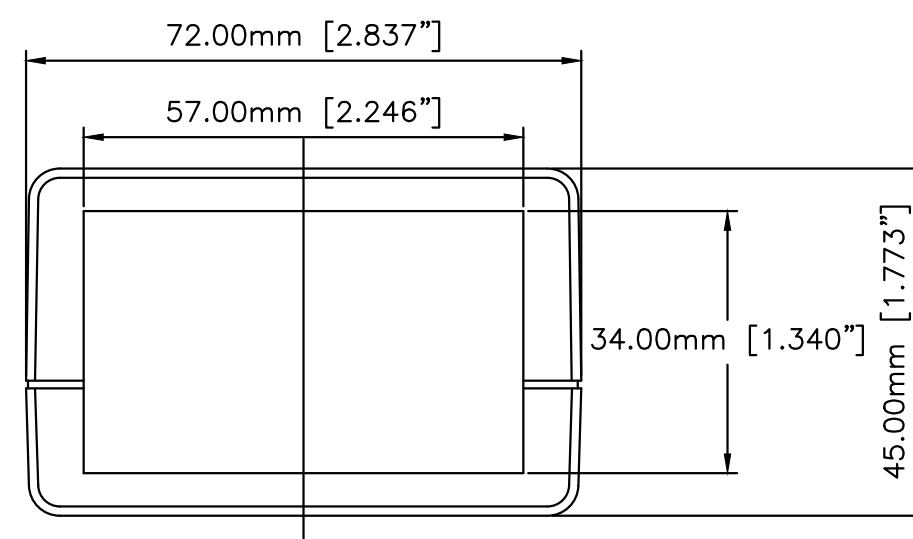
TOP - INSIDE



BOTTOM - OUTSIDE



SIDE VIEW



END VIEW

Max. PCB size: Bottom 55.5 x 70mm Top 55.5x100mm  
 (Cutout of pillars not taken into consideration)  
 B1 Battery compartment 9Volt

Title Eng. Drawing C size Master		
DATE 4/5/19	BOX # UOCS-124-MASTER	Drn. by R.F.K.
SCALE 1:1	SHEET 1 of 1	REV 19.A