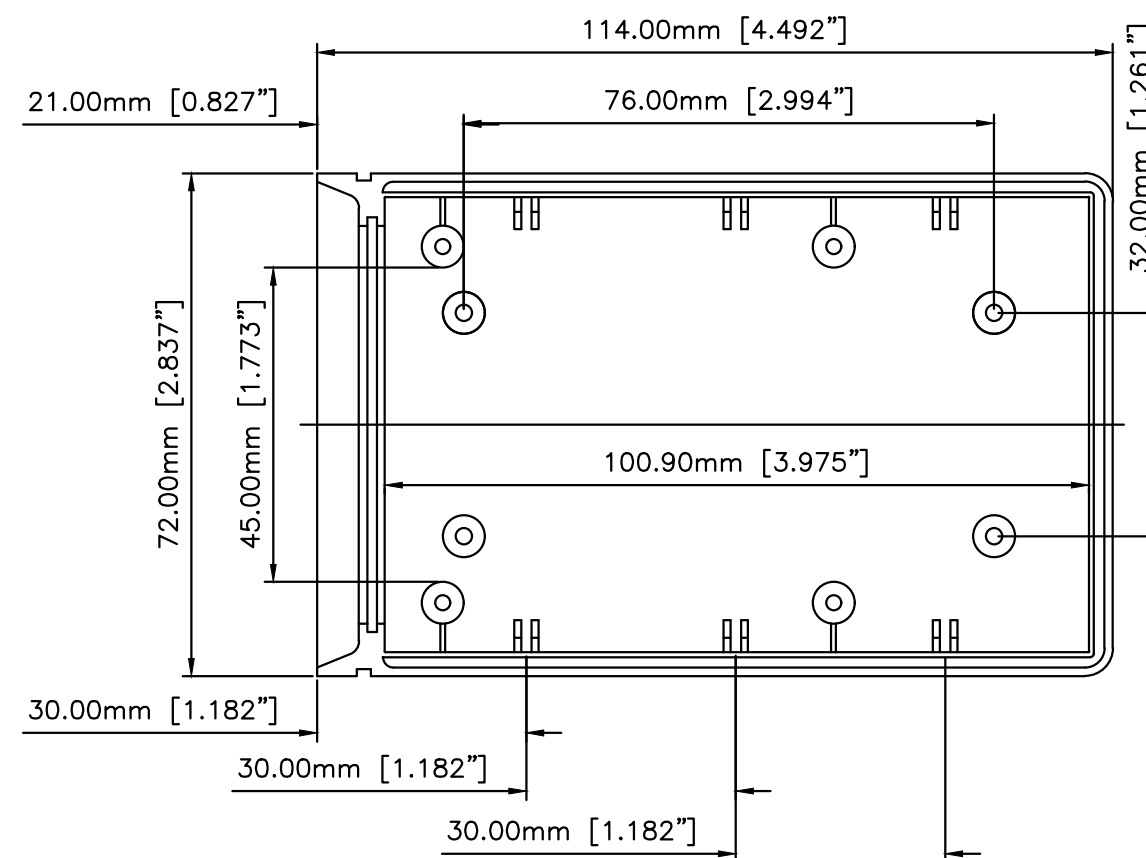
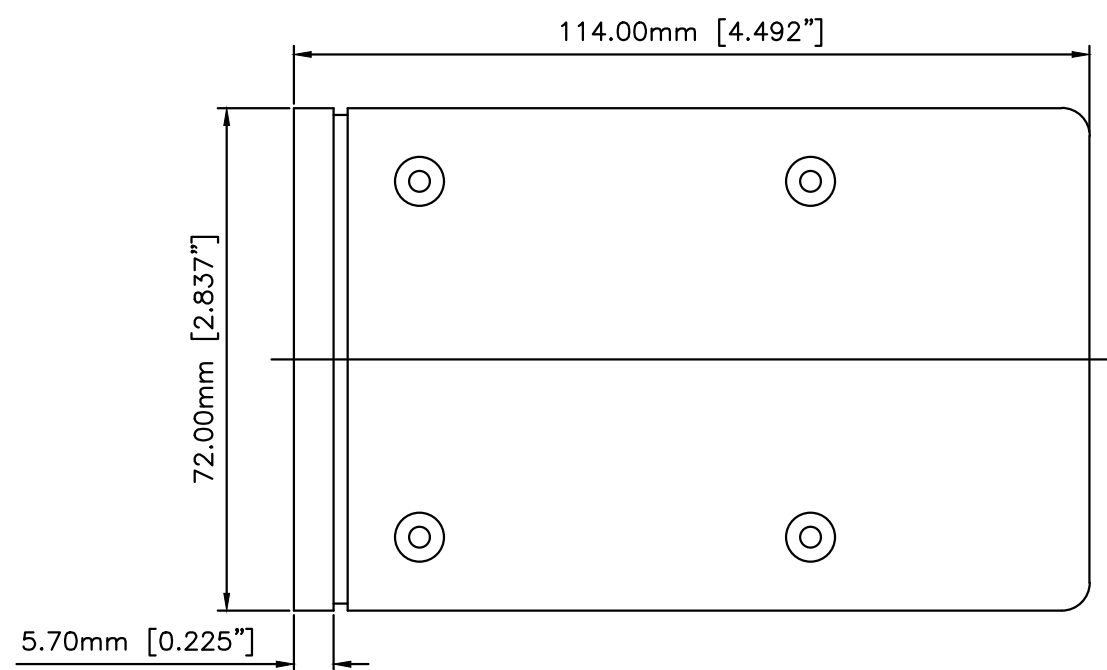


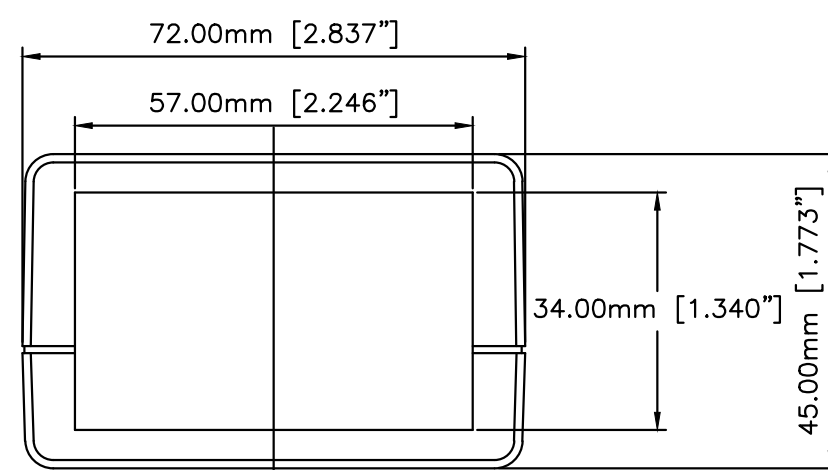
BOTTOM - INSIDE



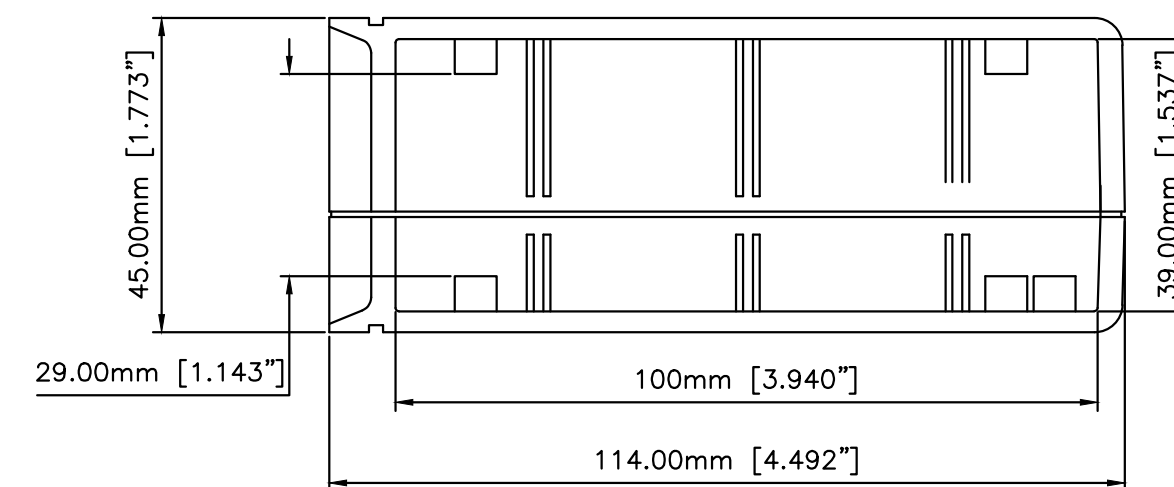
TOP - INSIDE



BOTTOM - OUTSIDE



END VIEW



SIDE VIEW

Max. PCB size: Bottom 55.5 x 100mm Top 55.5x100mm
 (Cutout of pillars not taken into consideration)

THIS DRAWING IS THE PROPERTY OF AND MAY EMBODY PROPRIETARY INFORMATION OWNED BY Box Enclosures® IT IS PROVIDED UNDER A CONFIDENTIAL RELATIONSHIP FOR A SPECIFIC PURPOSE. THE RECIPIENT AGREES TO USE IT ONLY FOR SUCH PURPOSE AND RETURN IT TO Box Enclosures® UPON REQUEST.