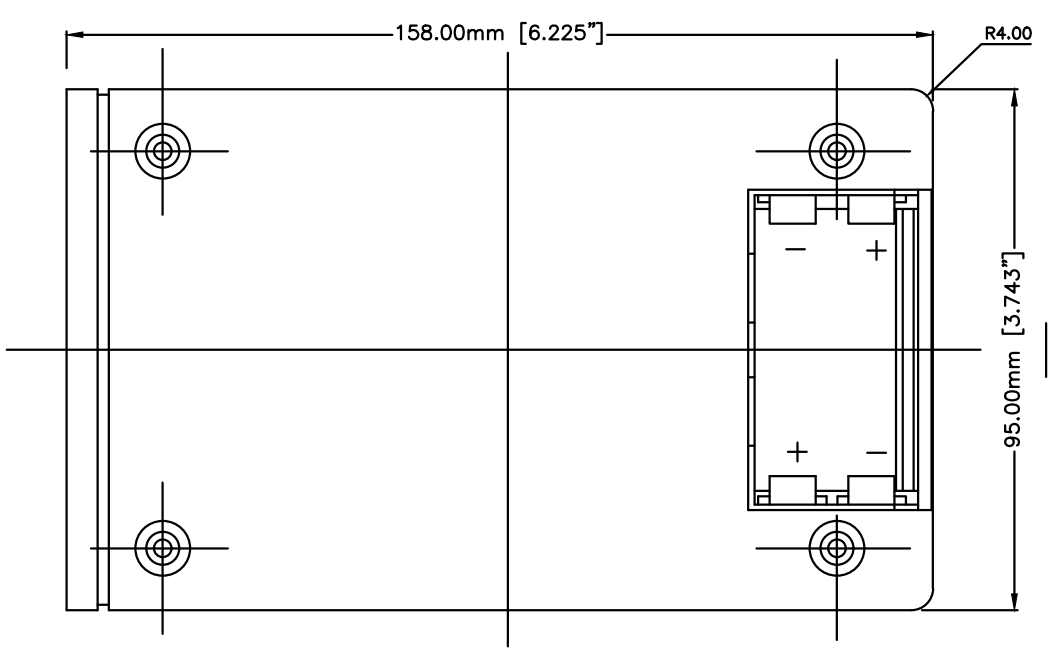
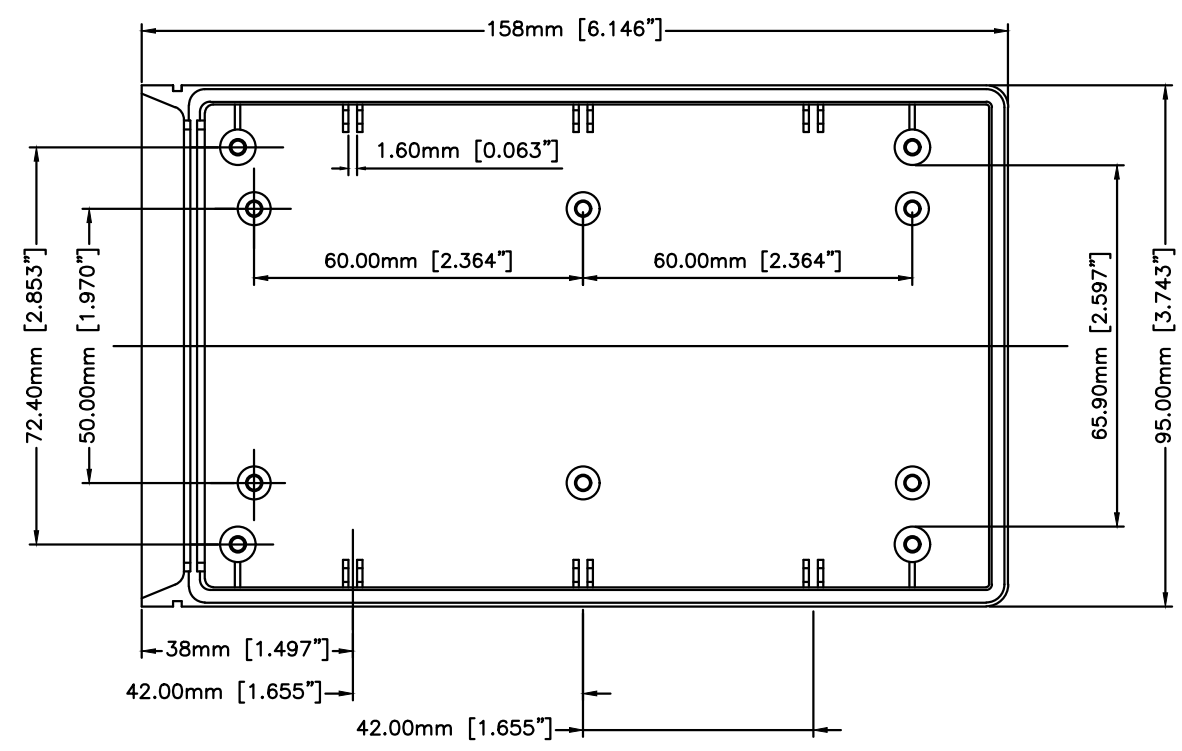


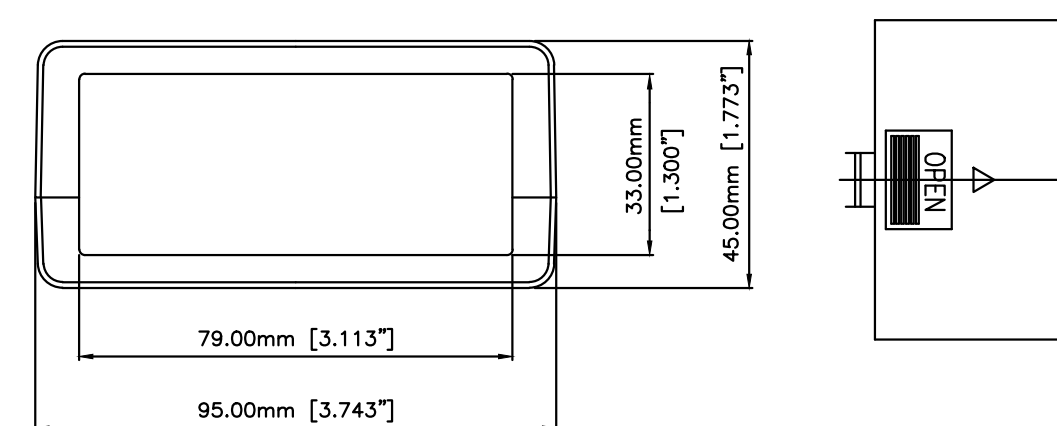
BOTTOM-INSIDE



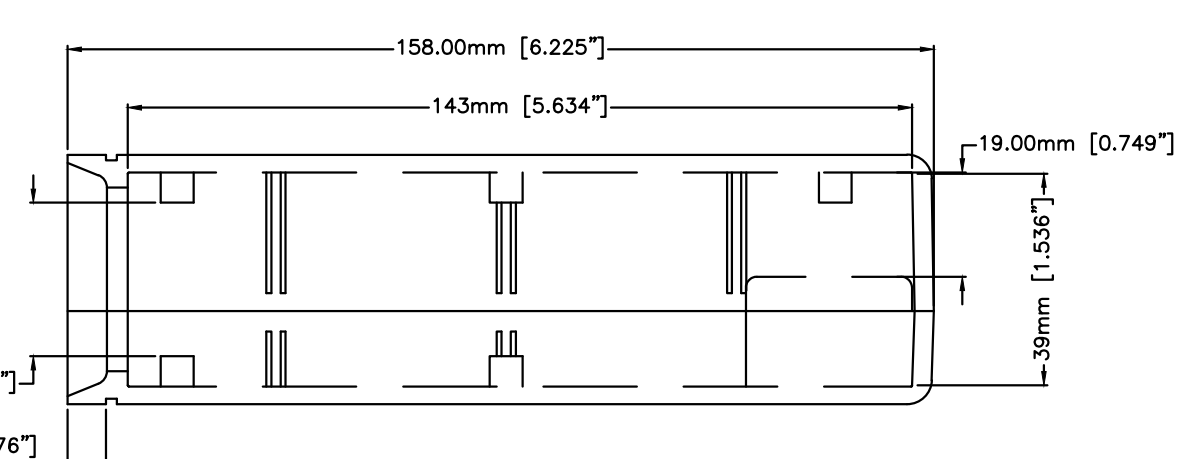
BOTTOM-OUTSIDE



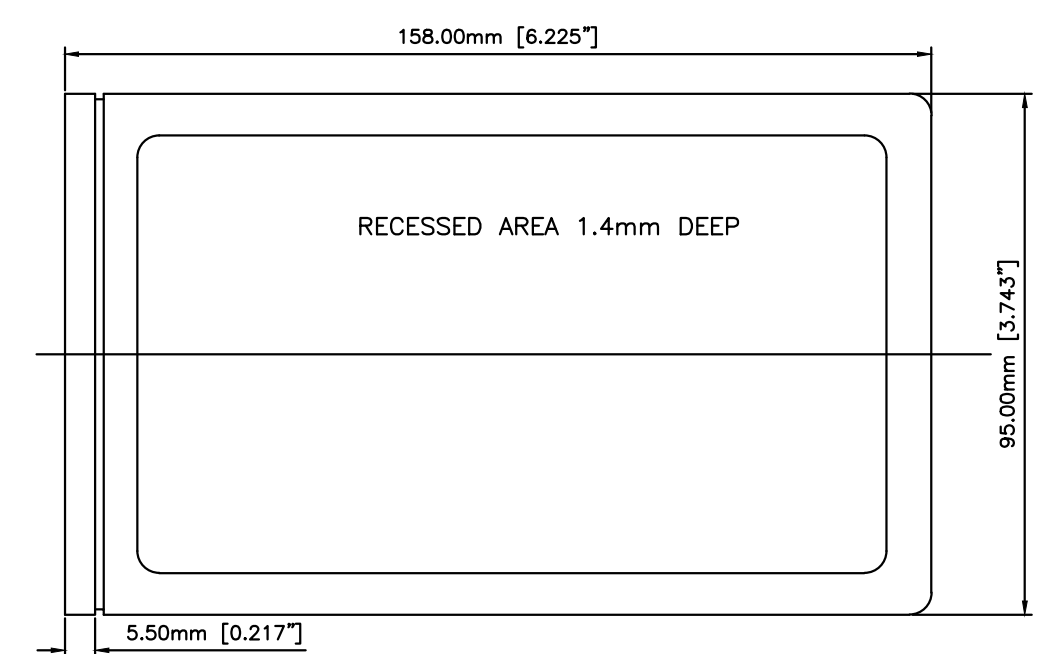
TOP-INSIDE



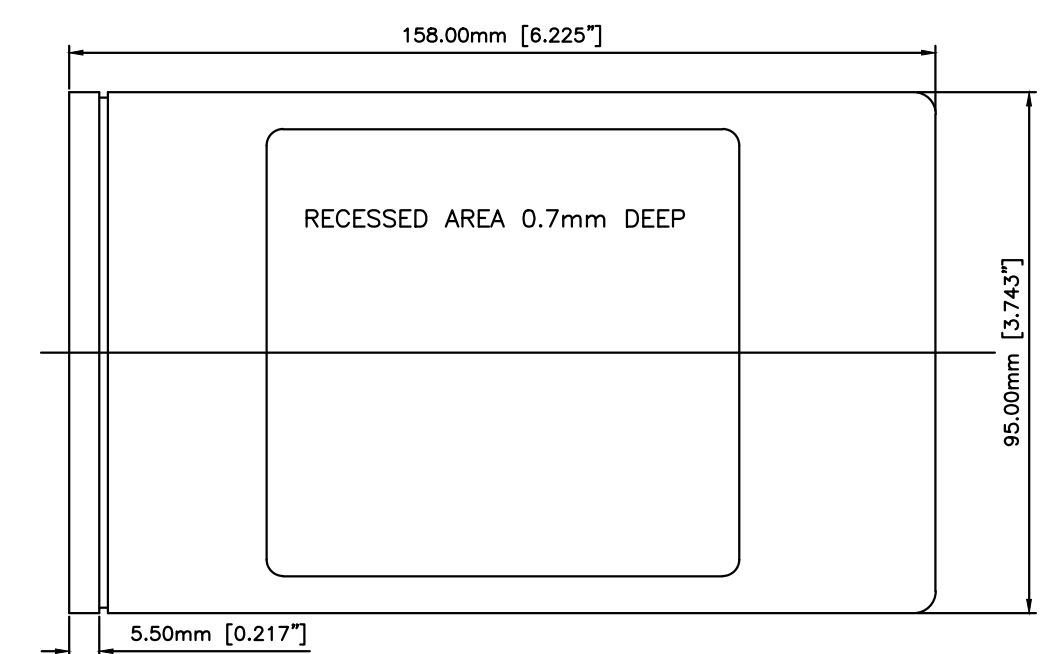
END VIEW



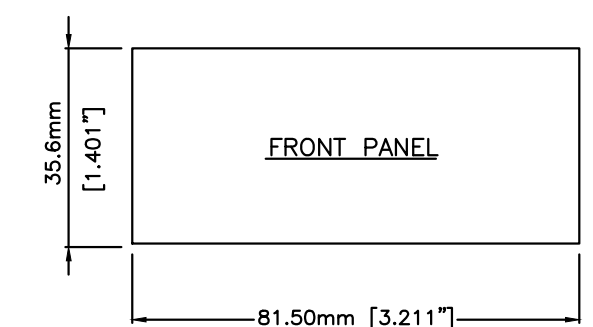
SIDE VIEW



TOP-OUTSIDE  
 OPTIONAL RECESSED AREA - LARGE VERSION



TOP-OUTSIDE  
 OPTIONAL RECESSED AREA - SMALL RECESSED AREA VERSION



Max. PCB size: Bottom 85 x 113mm, Top 85 x 142mm  
 (Cutout of pillars not taken into consideration)

Version IV: Battery compartment for one 9V flat battery(PP3)  
 or two 1.5V (AA)

THIS DRAWING IS THE PROPERTY OF AND MAY EMBODY PROPRIETARY INFORMATION OWNED BY Box Enclosures® IT IS PROVIDED UNDER A CONFIDENTIAL RELATIONSHIP FOR A SPECIFIC PURPOSE. THE RECIPIENT AGREES TO USE IT ONLY FOR SUCH PURPOSE AND RETURN IT TO Box Enclosures® UPON REQUEST.

Title Eng. Drawing C size Master		
DATE 4/5/19	BOX # UOCM-126-MASTER	Drn. by R.F.K.
SCALE 1:1	SHEET 1 of 1	REV 19.A