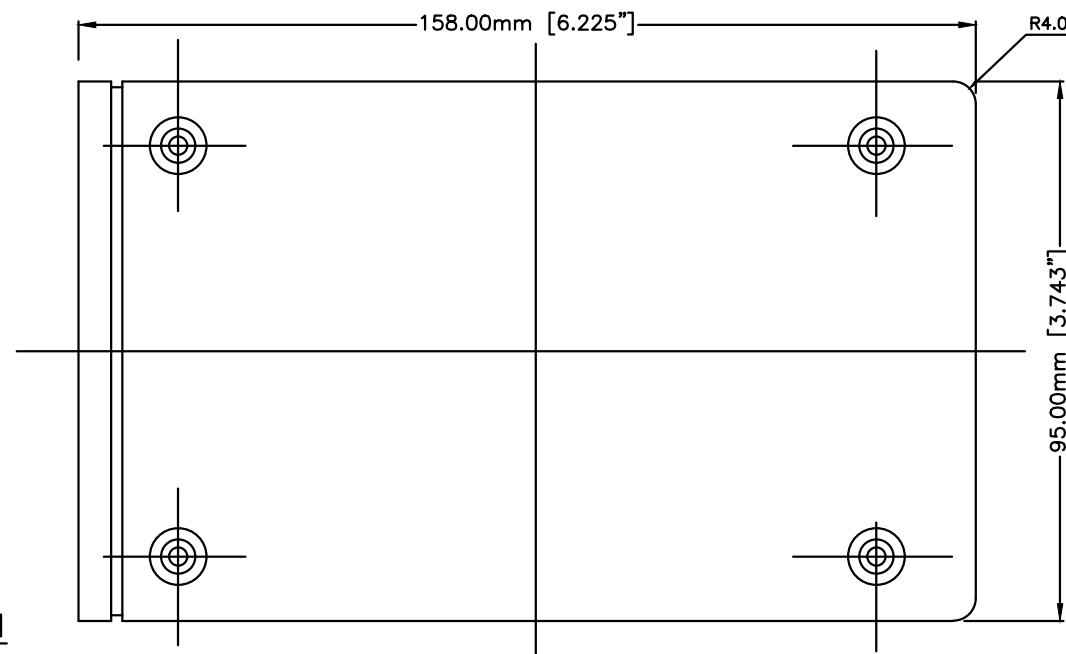
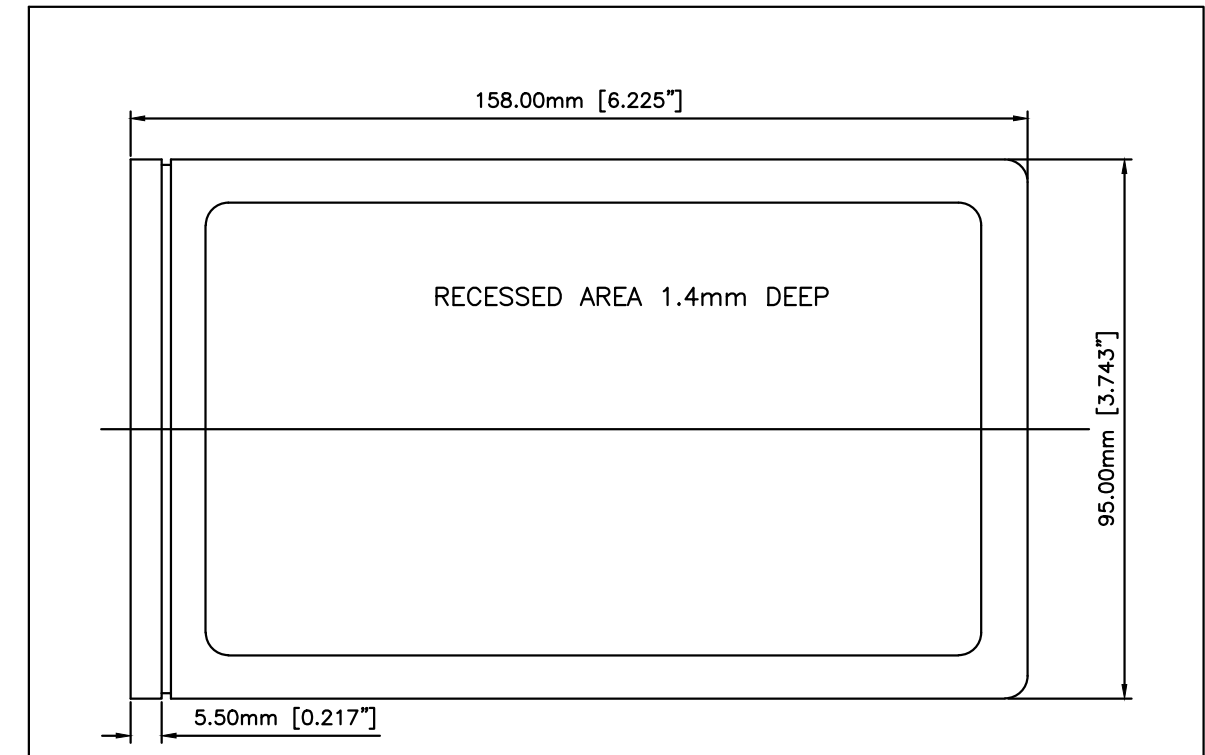


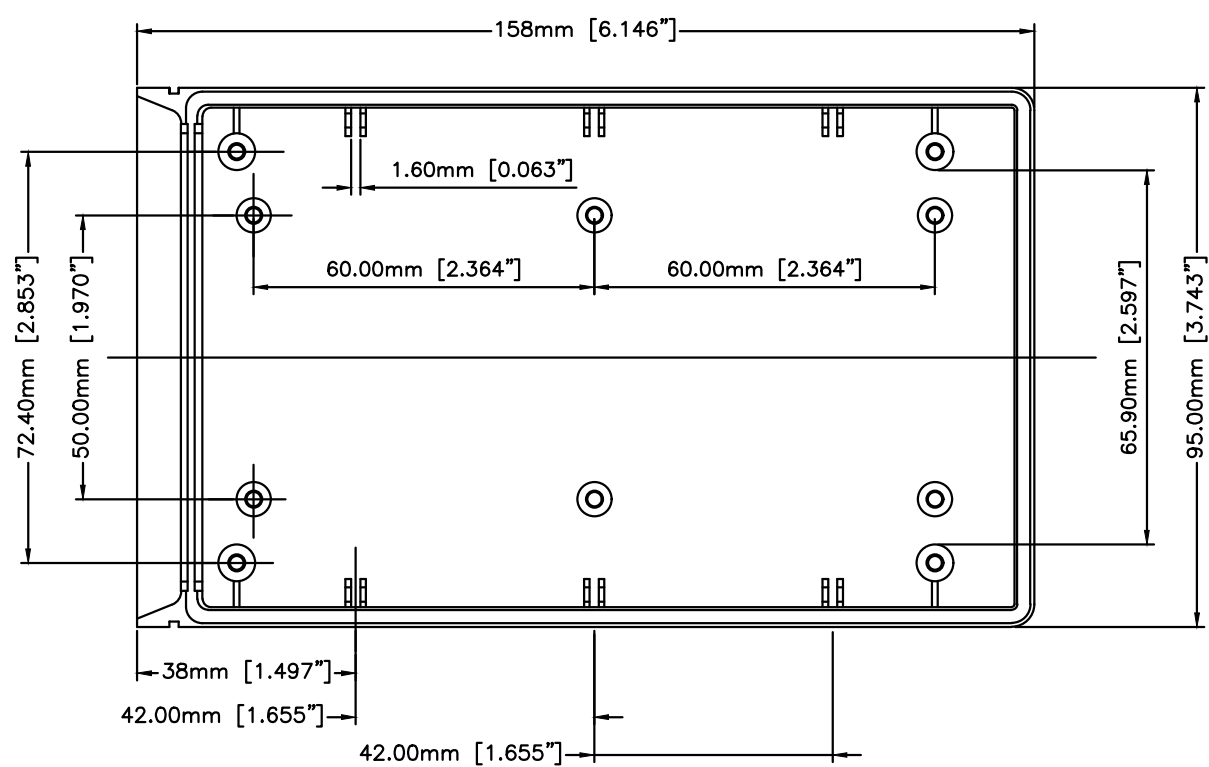
BOTTOM-INSIDE



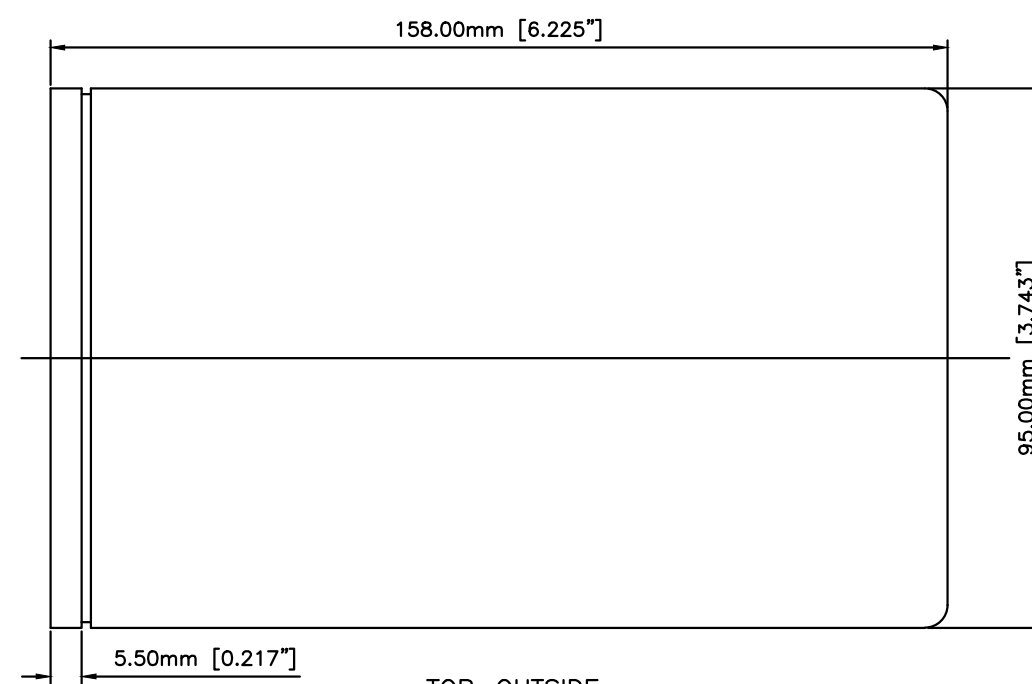
BOTTOM-OUTSIDE



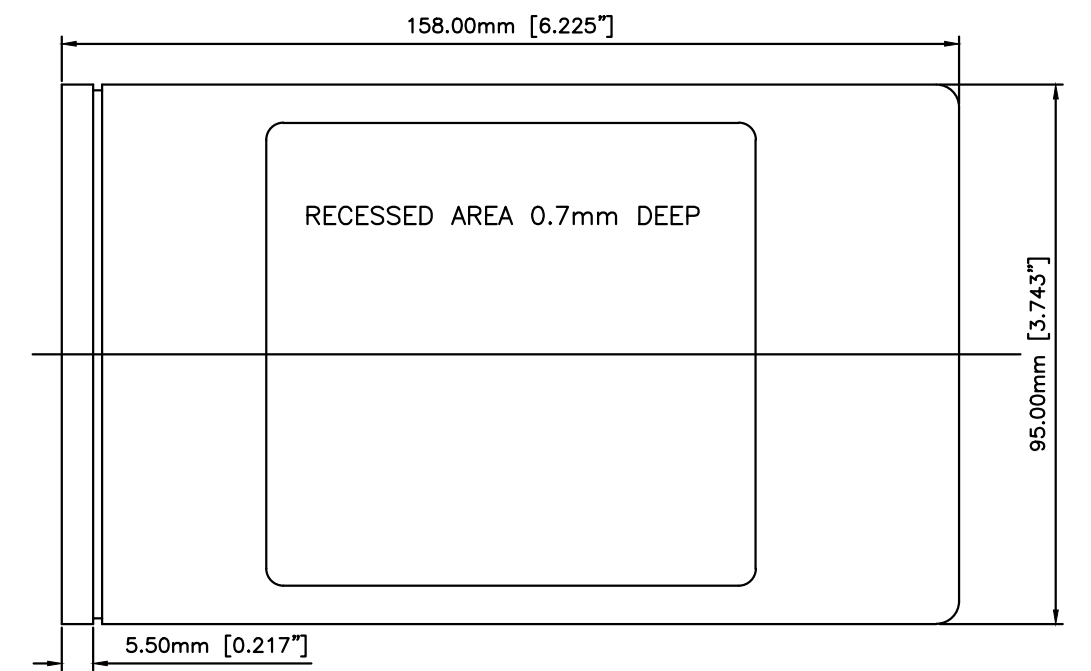
TOP-OUTSIDE
 OPTIONAL RECESSED AREA - LARGE VERSION



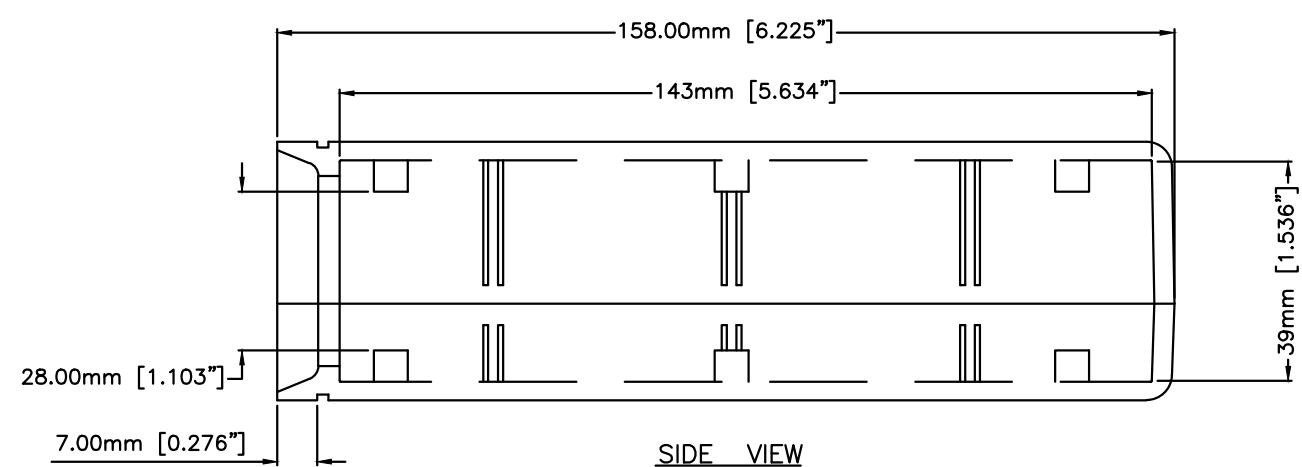
TOP-INSIDE



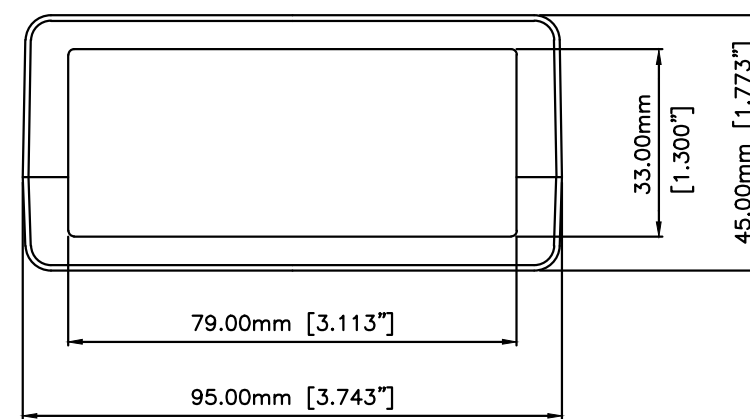
TOP-OUTSIDE



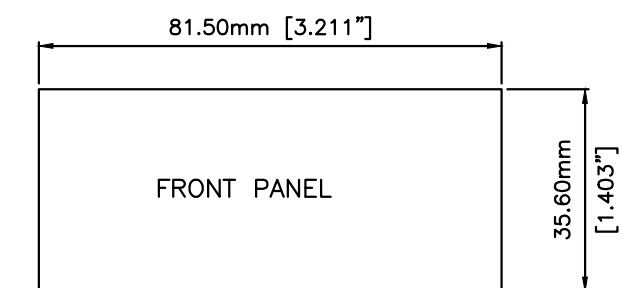
TOP-OUTSIDE
 OPTIONAL RECESSED AREA - SMALL RECESSED AREA VERSION



SIDE VIEW



END VIEW



Max. PCB size: Bottom 85 x 113mm, Top 85 x 142mm
 (Cutout of pillars not taken into consideration)

THIS DRAWING IS THE PROPERTY OF AND MAY EMBODY PROPRIETARY INFORMATION OWNED BY Box Enclosures® IT IS PROVIDED UNDER A CONFIDENTIAL RELATIONSHIP FOR A SPECIFIC PURPOSE. THE RECIPIENT AGREES TO USE IT ONLY FOR SUCH PURPOSE AND RETURN IT TO Box Enclosures® UPON REQUEST.

Title Eng. Drawing C size Master		
DATE 4/5/19	BOX # UOCM-123-MASTER	Drn. by R.F.K.
SCALE 1:1	SHEET 1 of 1	REV 19.A