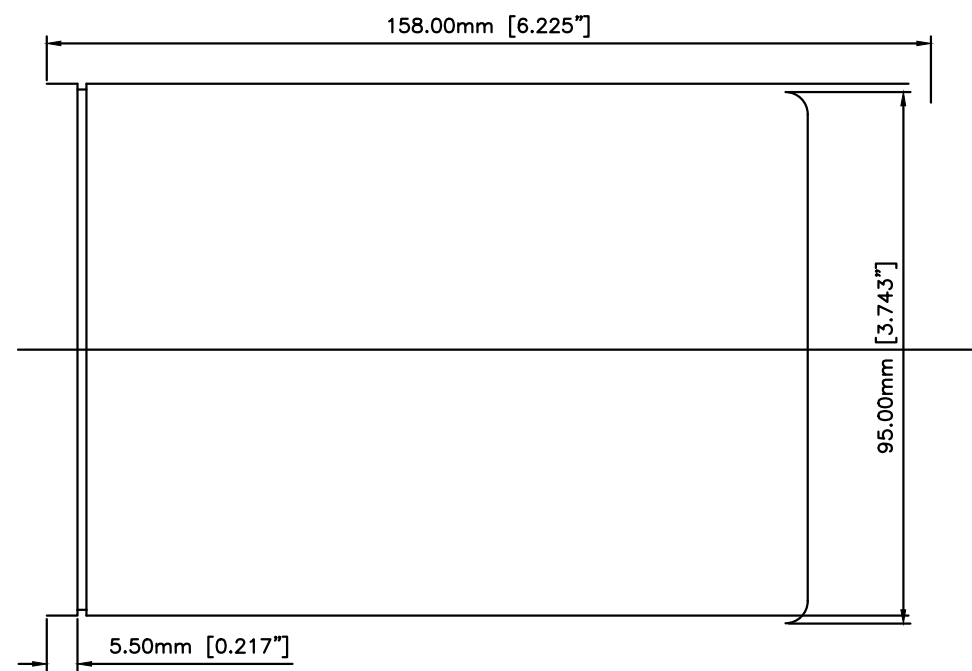
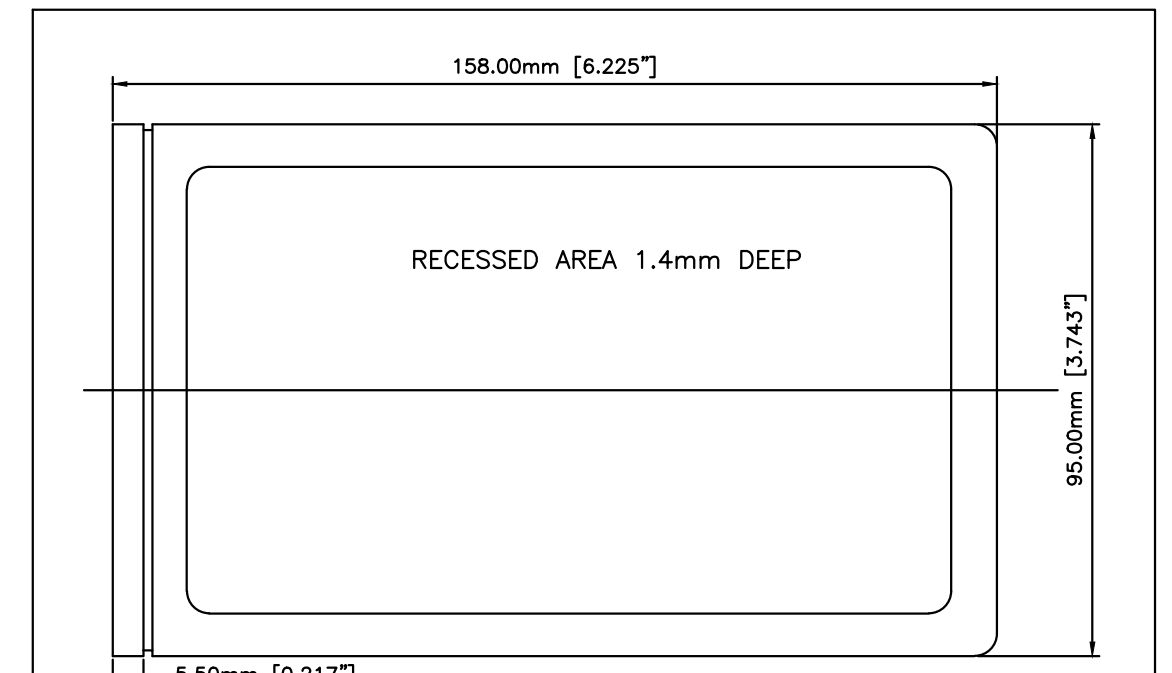


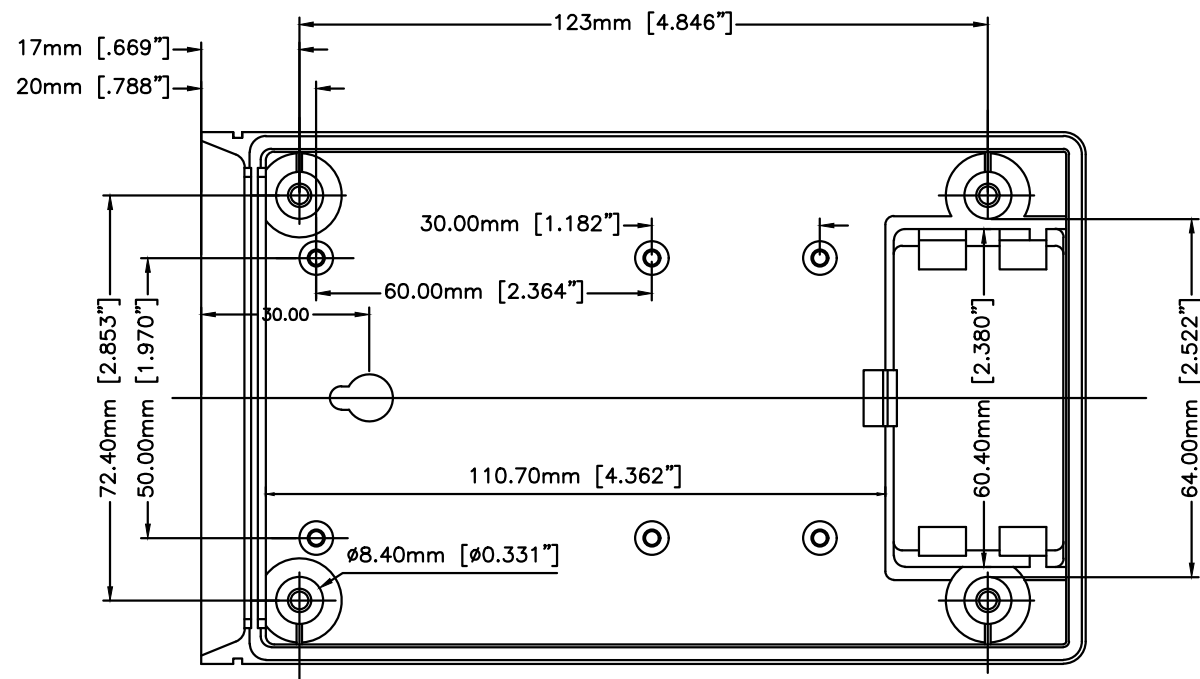
TOP-INSIDE



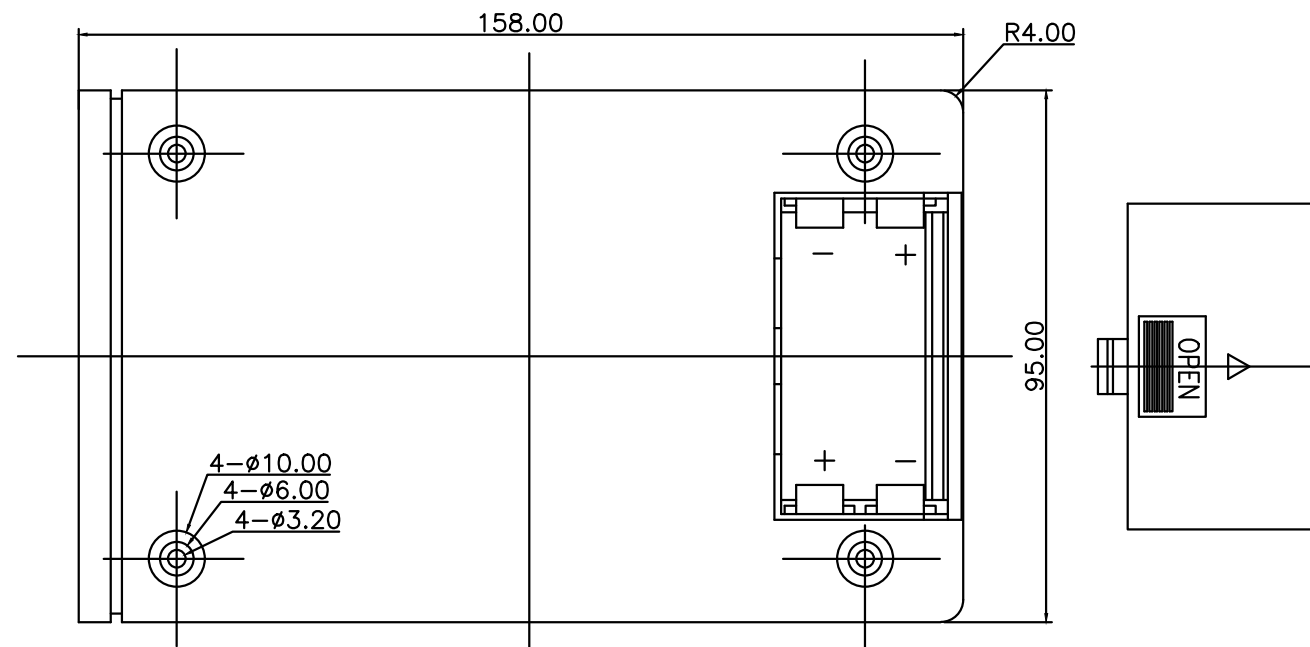
TOP-OUTSIDE



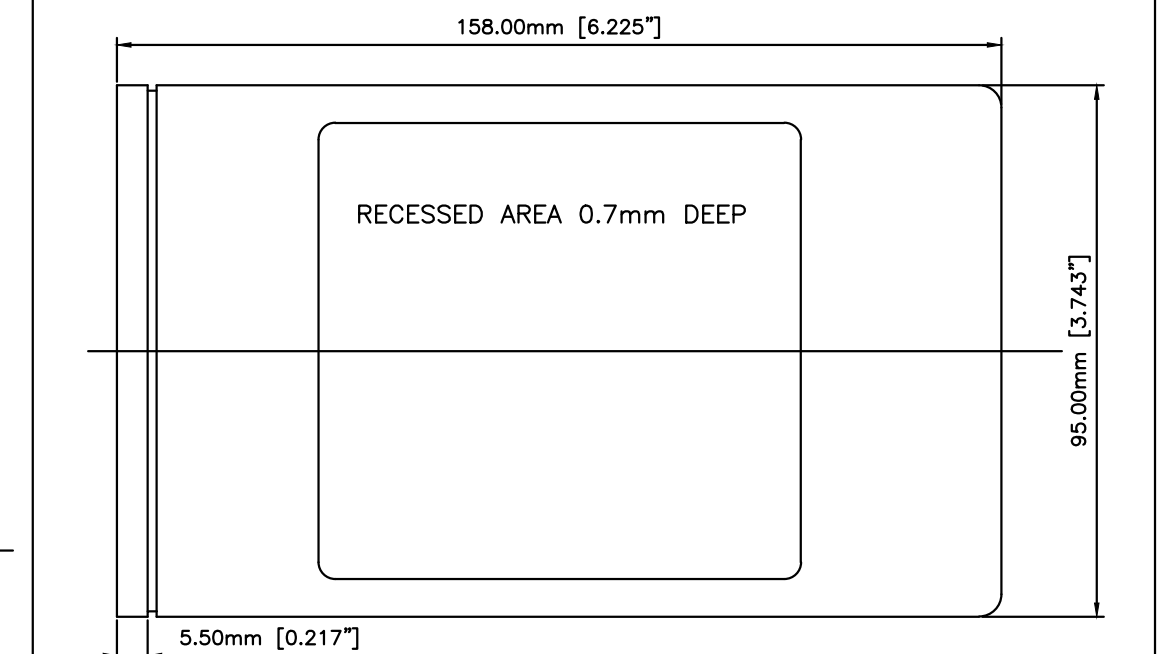
TOP-OUTSIDE
 OPTIONAL RECESSED AREA - LARGE VERSION



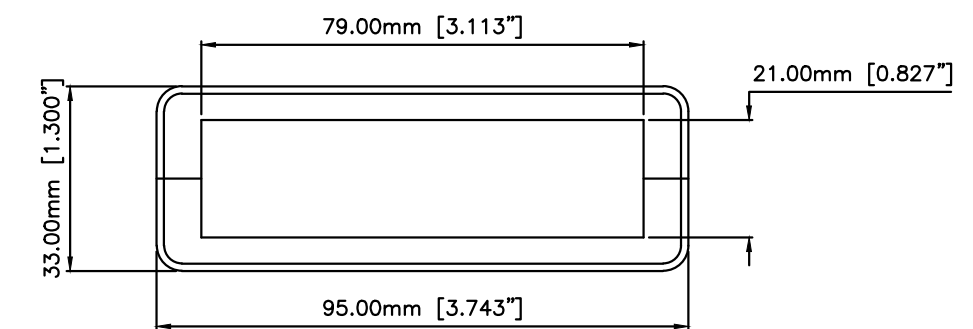
BOTTOM-INSIDE



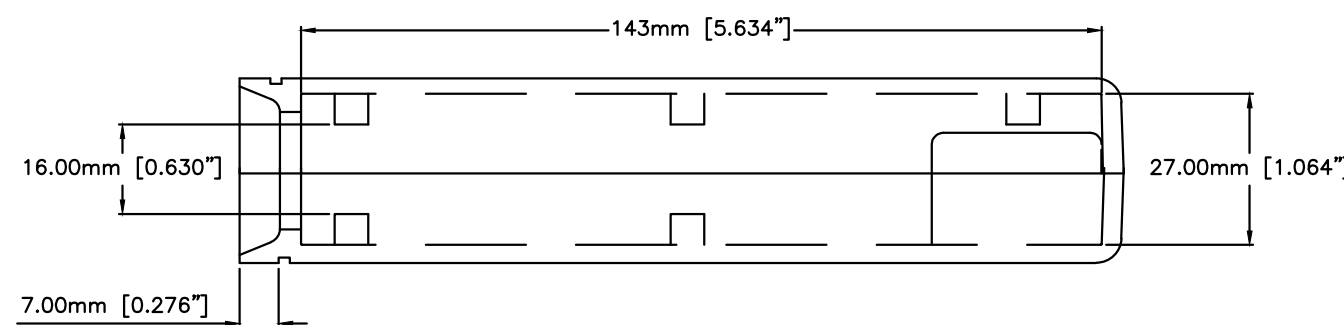
BOTTOM-OUTSIDE



TOP-OUTSIDE
 OPTIONAL RECESSED AREA - SMALL RECESSED AREA VERSION



END VIEW



SIDE VIEW

Max. PCB size: Bottom 85 x 119mm, Top 85 x 110mm
 (Cutout of pillars not taken into consideration)
 Version B3: Battery compartment for one 9V flat battery(PP3)
 or two 1.5V (AA)

Title Eng. Drawing C size Master

DATE 4/5/19	BOX # UOCM-116-MASTER	Drn. by R.F.K.
SCALE 1:1	SHEET 1 of 1	REV 19.A