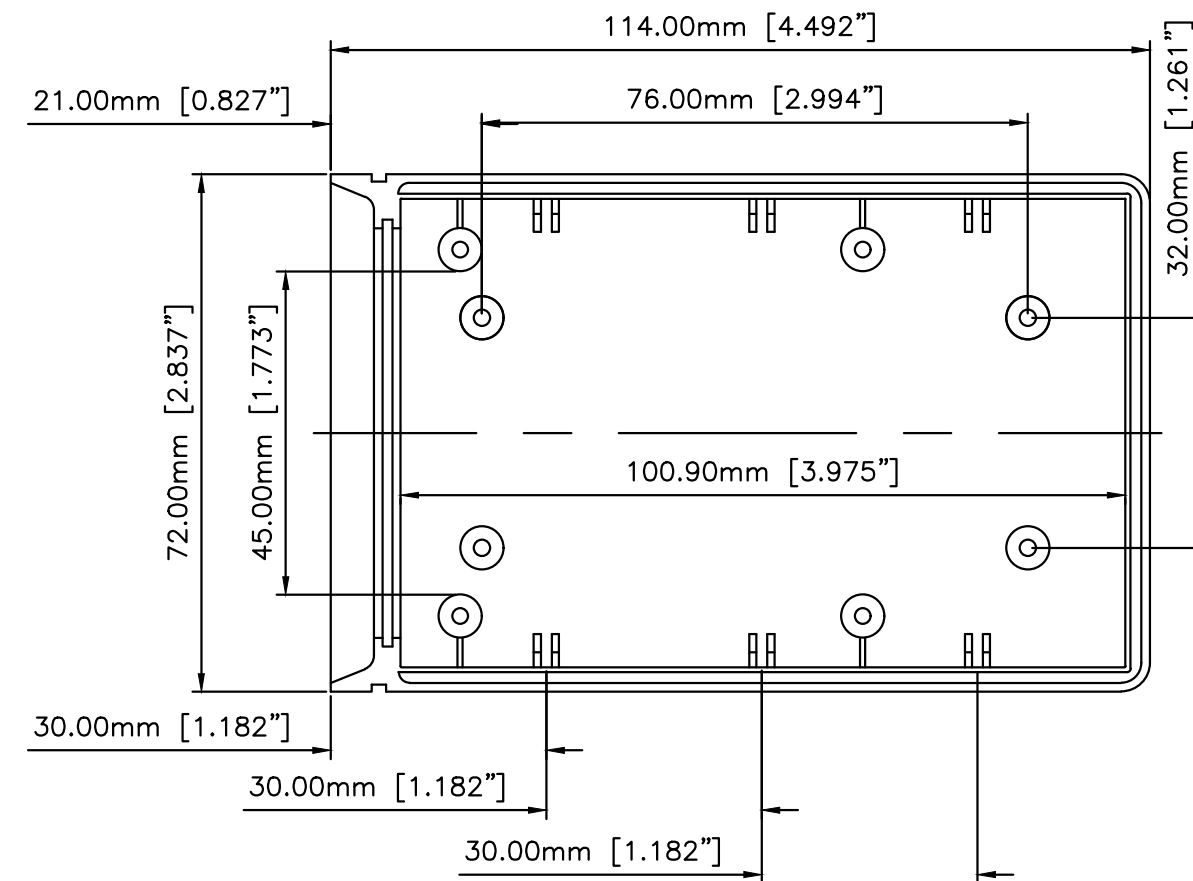
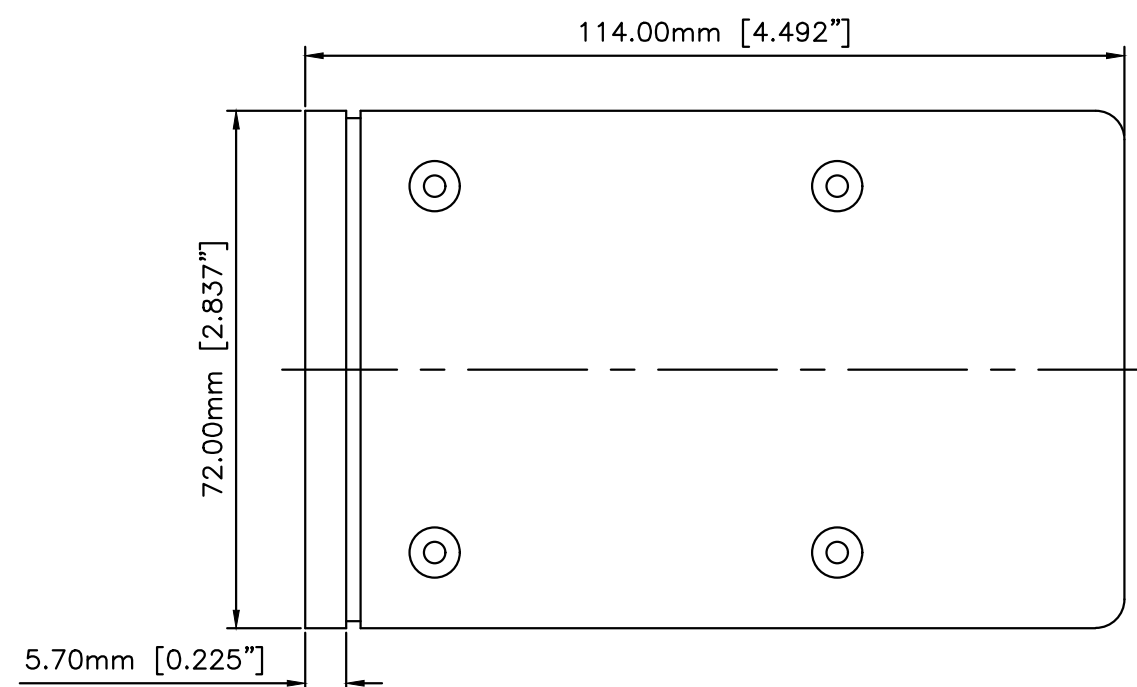


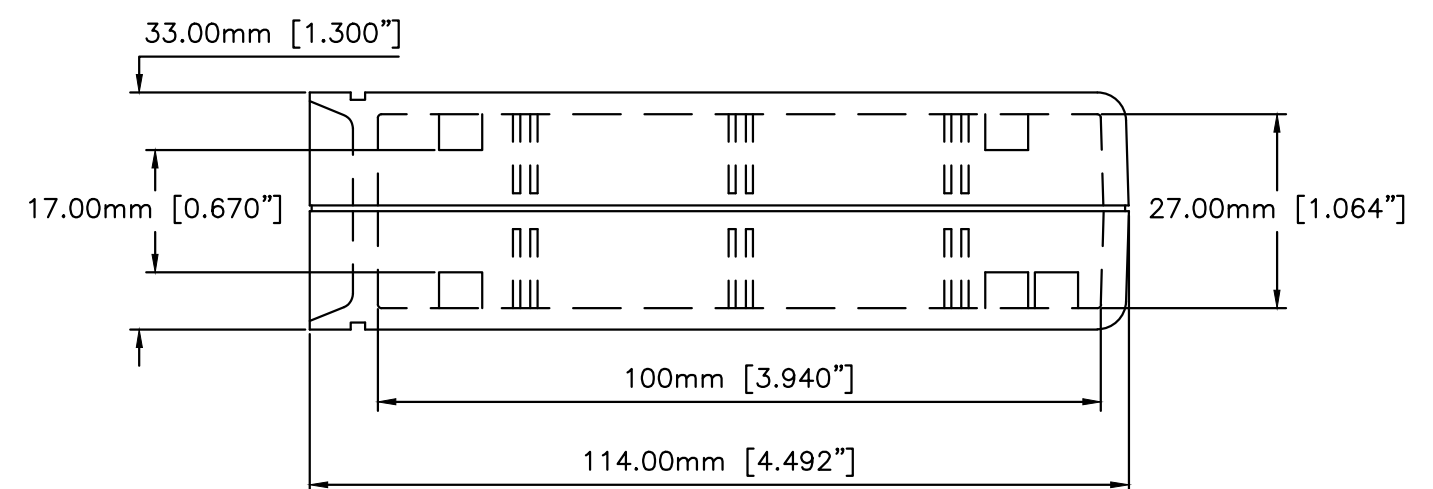
BOTTOM - INSIDE



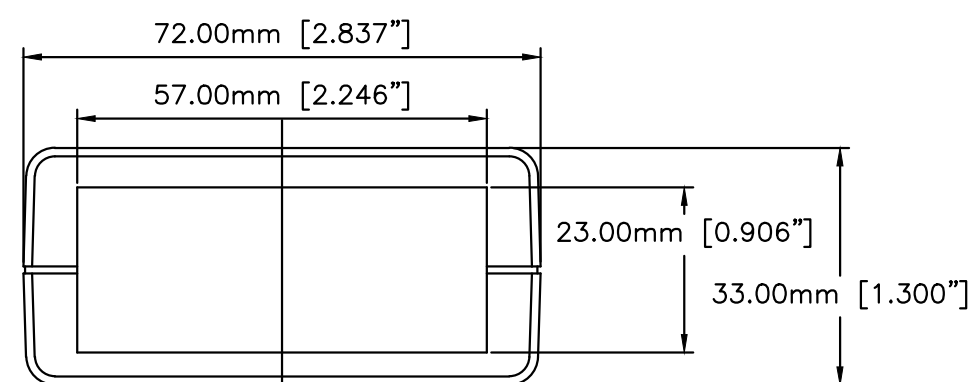
TOP - INSIDE



BOTTOM - OUTSIDE



SIDE VIEW



END VIEW

Max. PCB size: Bottom 55.5 x 70mm  
(Cutout of pillars not taken into consideration)

Title Eng. Drawing C size Master

DATE 4/5/19 BOX # UOCS-113-MASTER Drn. by R.F.K.

SCALE 1:1 SHEET 1 of 1 REV 19.A