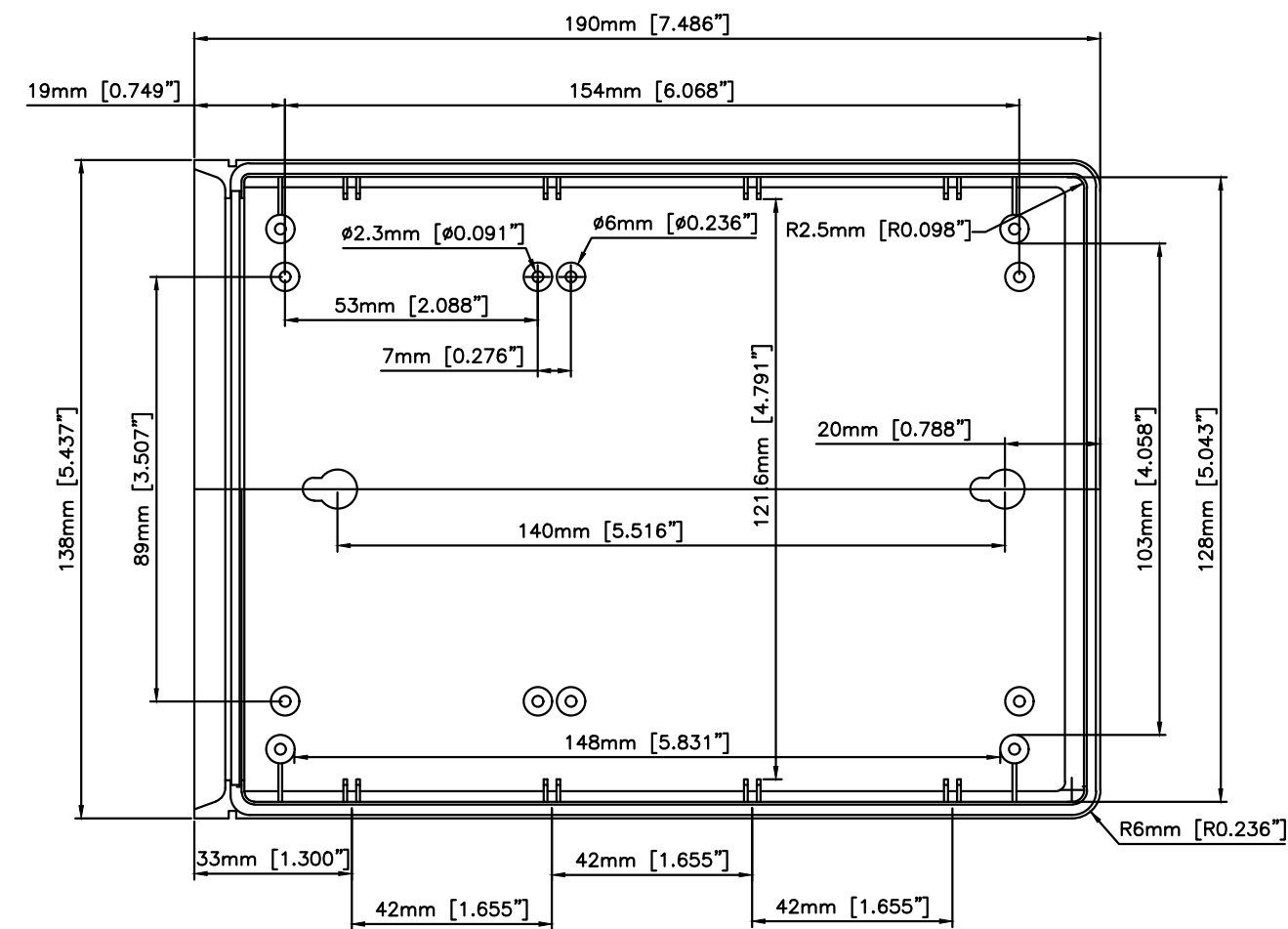
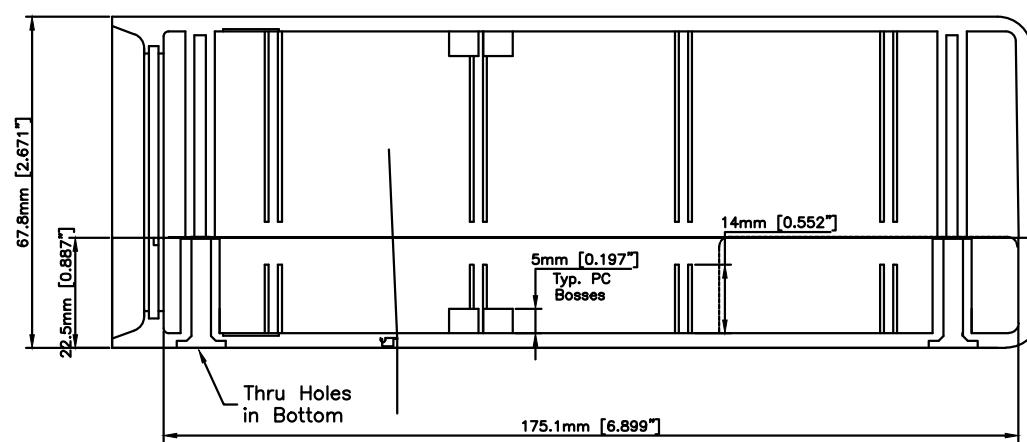


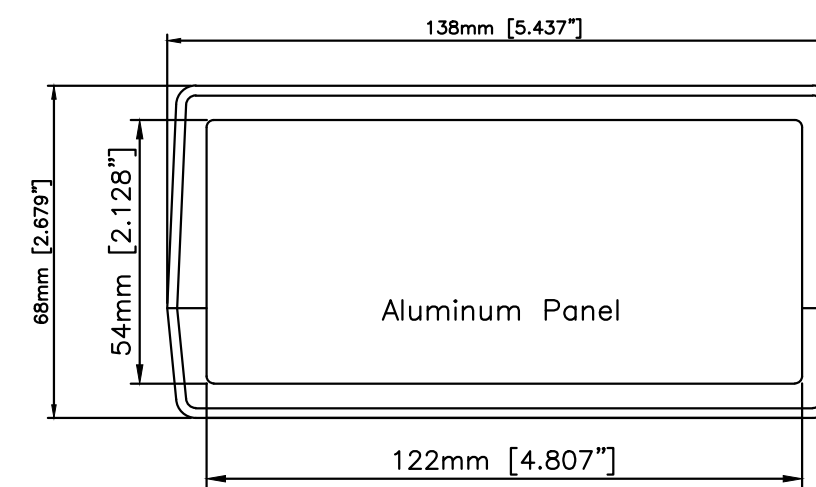
Bottom - Inside



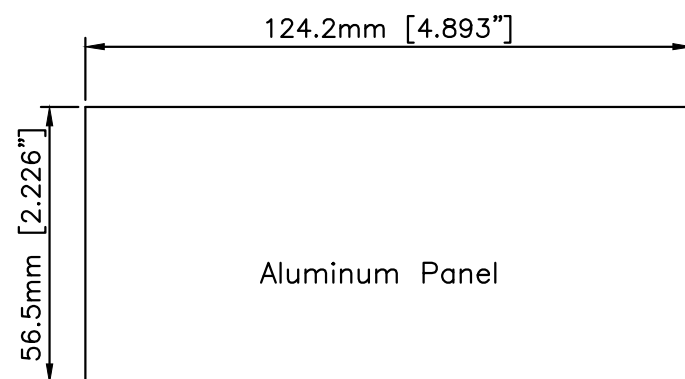
Top - Inside



Side - View



Front End - View



Same internal dimensions for top and base.

Maximum PCB size: 118x175mm
 (Cutouts for pillars not taken into consideration)