

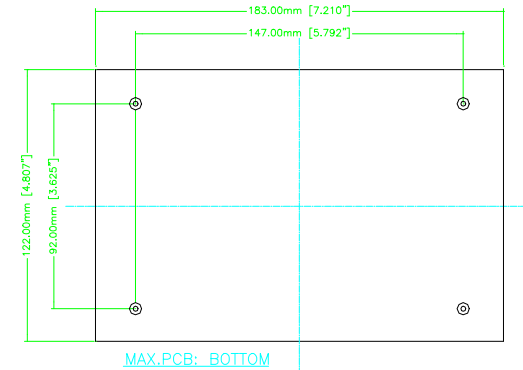
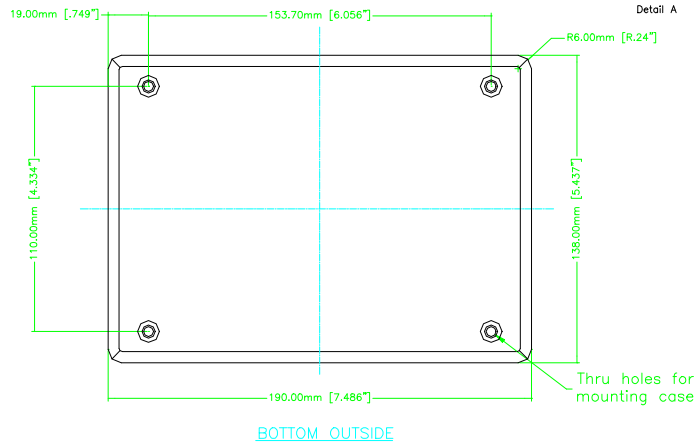
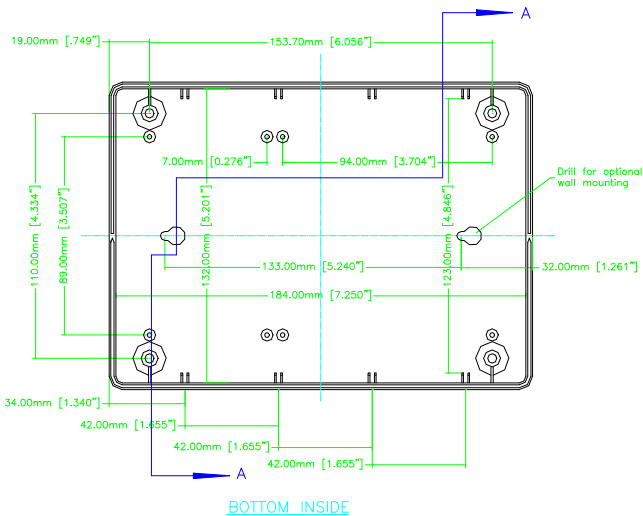
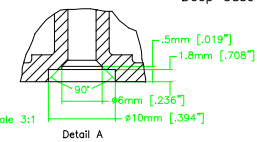
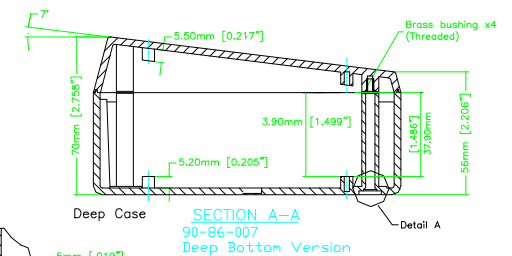
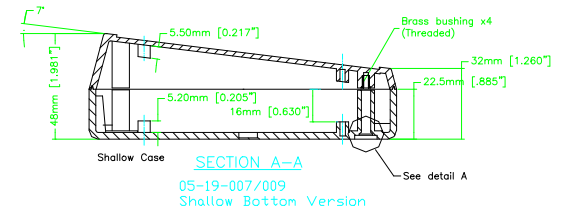
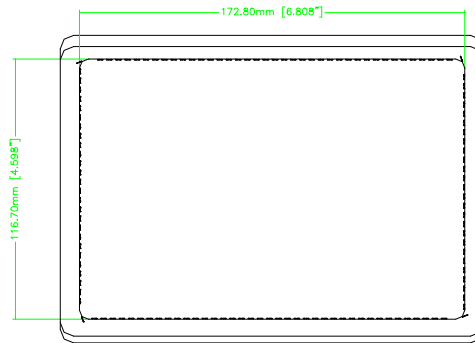
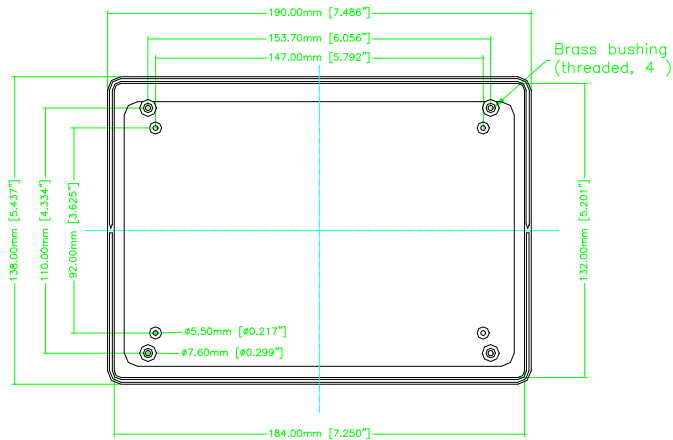


# Enclosures of America Intl. LTD.

Tel: 847-918-9800

www.eai-enclosures.com

Fax: 847-918-9807



Maximum size of PCB: Base 122x183mm, Top 125x183mm  
(Cutout of pillars not taken into consideration)

THIS DRAWING IS THE PROPERTY OF AND MAY EMBODY PROPRIETARY INFORMATION OWNED BY ENCLOSURES OF AMERICA™. IT IS PROVIDED UNDER A CONFIDENTIAL RELATIONSHIP FOR A SPECIFIC PURPOSE. THE RECIPIENT AGREES TO USE IT ONLY FOR SUCH PURPOSE AND RETURN IT TO ENCLOSURES OF AMERICA™ UPON REQUEST.



## Enclosures of America International, LTD

28045 Ashley Circle #106 Libertyville, Illinois, USA 60048

Title Eng. Drawing D size Master

Date 5/15/00

Drn. by R.F.K.

Scale 1:1

EAI # SESS & SEDS MASTER

Sheet 1 of 1