

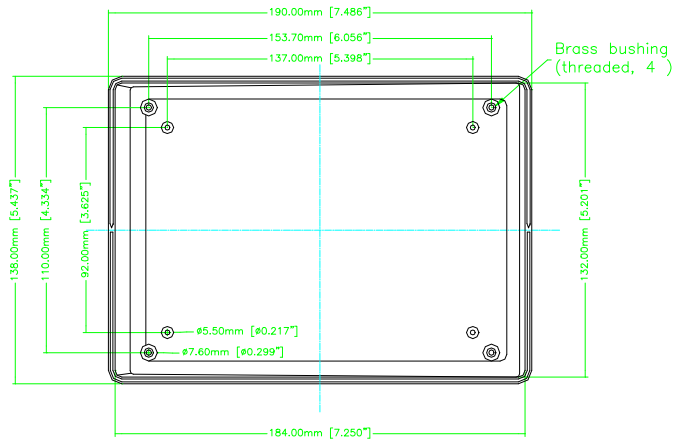


Enclosures of America Intl. LTD.

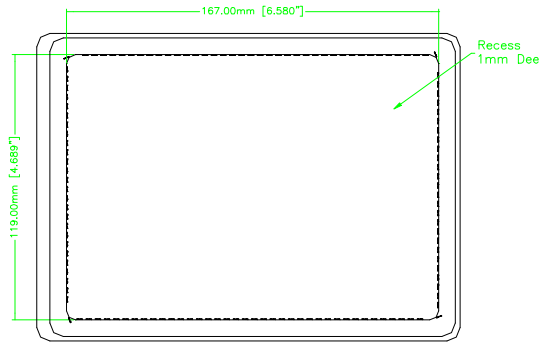
Tel: 847-918-9800

www.eai-enclosures.com

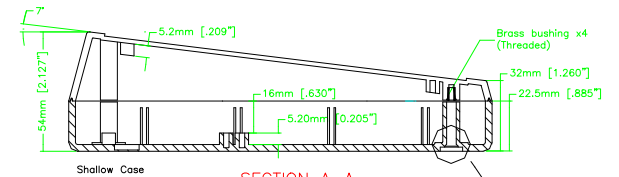
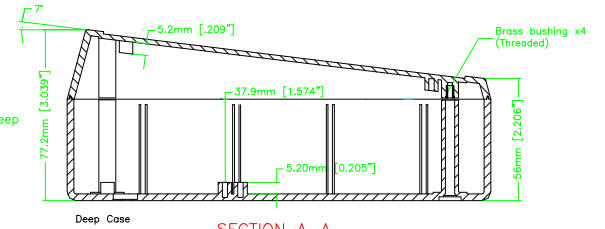
Fax: 847-918-9807



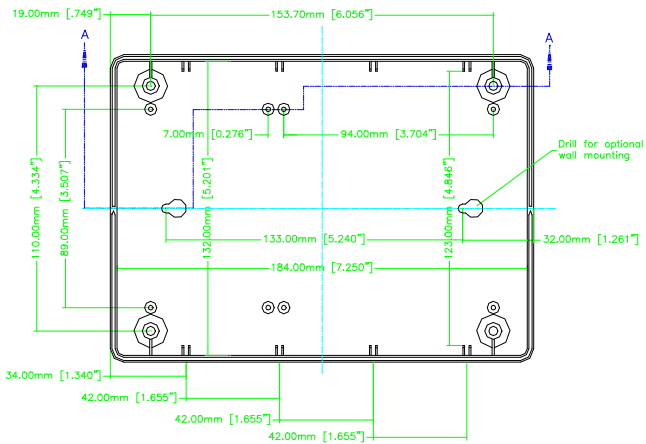
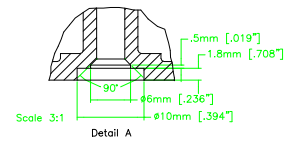
COVER-INSIDE



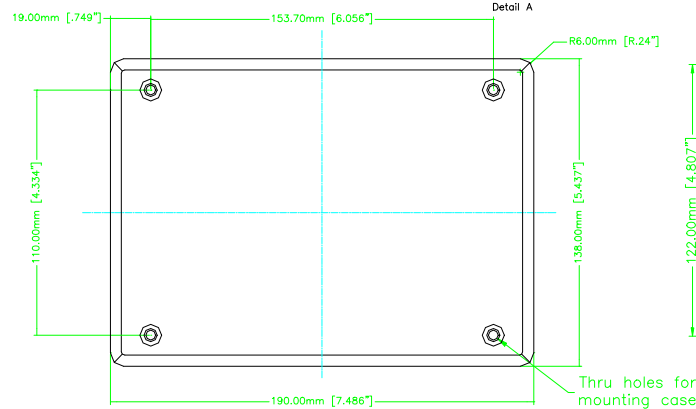
COVER-OUTSIDE



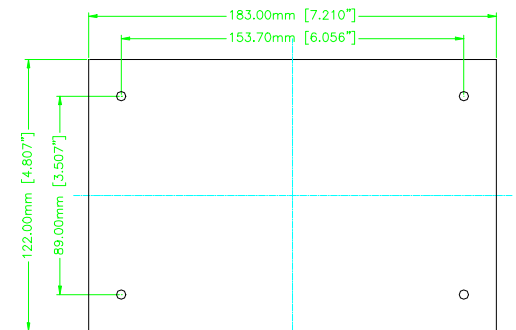
SECTION A-A
05-14-007/009
Shallow Bottom Version



BASE-INSIDE



BASE-OUTSIDE



PC-BOARD - MTG. HOLES

THIS DRAWING IS THE PROPERTY OF AND MAY EMBODY PROPRIETARY INFORMATION OWNED BY ENCLOSURES OF AMERICA™. IT IS PROVIDED UNDER A CONFIDENTIAL RELATIONSHIP FOR A SPECIFIC PURPOSE. THE RECIPIENT AGREES TO USE IT ONLY FOR SUCH PURPOSE AND RETURN IT TO ENCLOSURES OF AMERICA™ UPON REQUEST.



Enclosures of America International, LTD

28045 Ashley Circle #106 Libertyville, Illinois, USA 60048

Title Eng. Drawing D size Master

Date 5/16/00

Drn. by R.F.K.

Scale 1:1

EAI # SESL & SEDL MASTER

Sheet 1 of 1