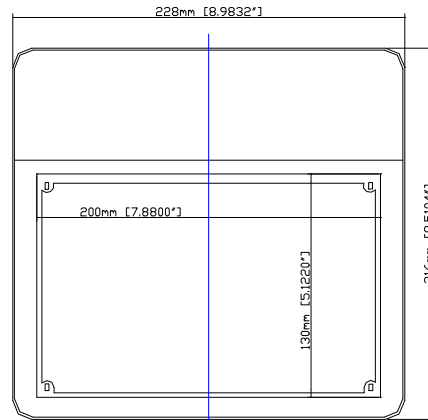
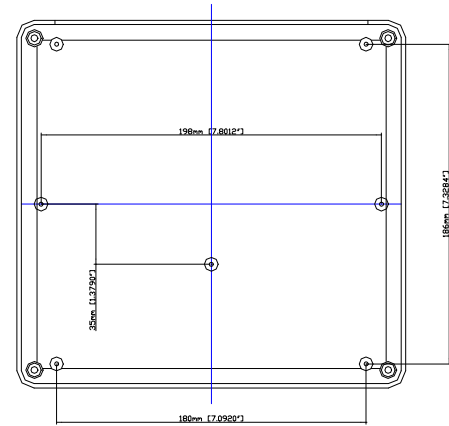


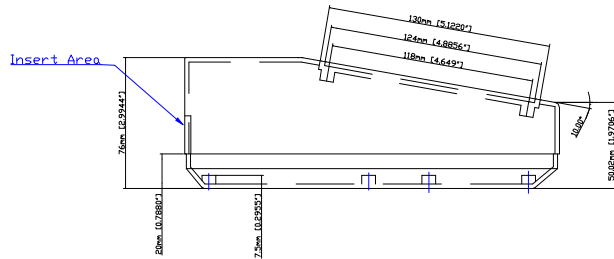
COVER INSIDE



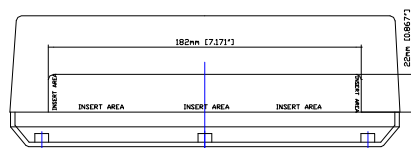
COVER OUTSIDE



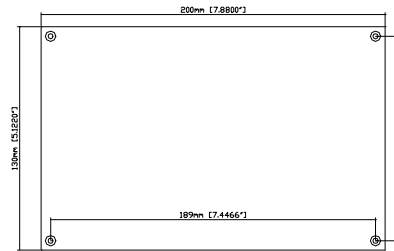
BOTTOM INSIDE



SIDE VIEW



BACK VIEW



ALUMINUM FRONT PANEL

THIS DRAWING IS THE PROPERTY OF AND MAY EMBODY PROPRIETARY INFORMATION OWNED BY ENCLOSURES OF AMERICA™. IT IS PROVIDED UNDER A CONFIDENTIAL RELATIONSHIP FOR A SPECIFIC PURPOSE. THE RECIPIENT AGREES TO USE IT ONLY FOR SUCH PURPOSE AND RETURN IT TO ENCLOSURES OF AMERICA™ UPON REQUEST.

Maximum size of PCB: 198 X 122mm  
(pillars not taken into consideration)

		<b>Enclosures of America International, LTD</b>	
28045 Ashley Circle #106 Libertyville, Illinois, USA 60048			
Title		Eng. Drawing E size Master	
Date	5/15/00	Drn. by	R.F.K.
Scale	1:1	EAI #	SE-107 & 109 MASTER
			Sheet 1 of 1