

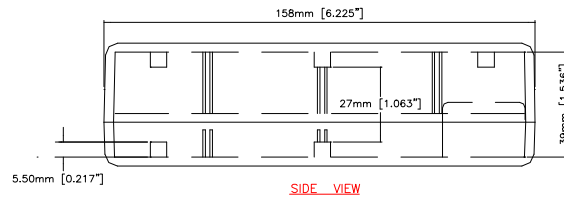
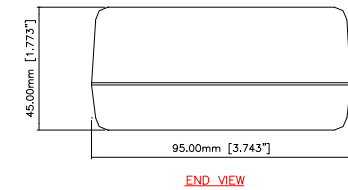
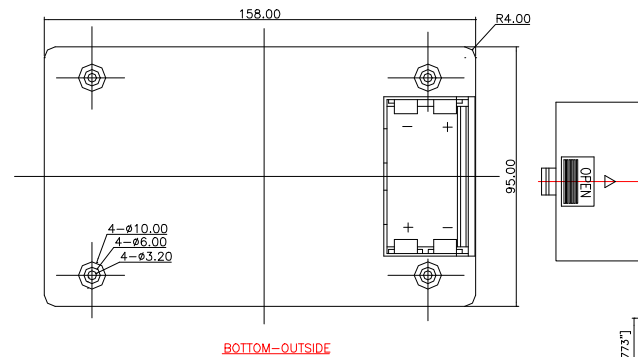
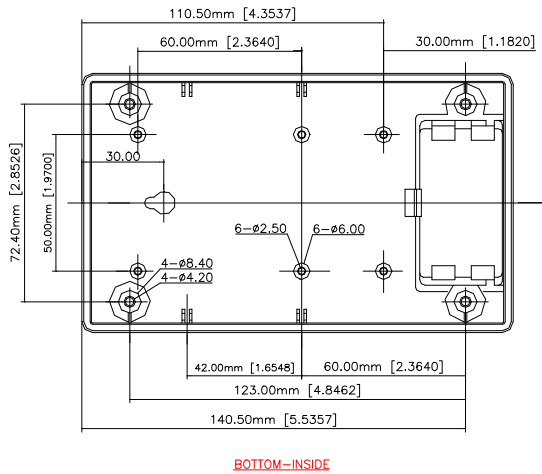
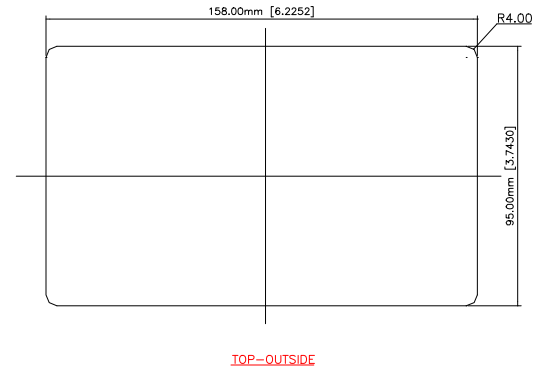
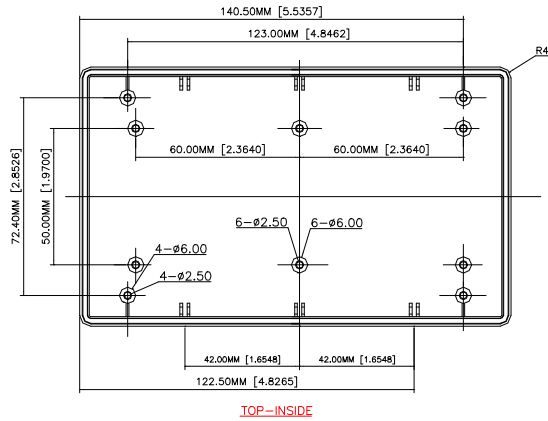


Enclosures of America Intl. LTD.

Tel: 847-918-9800

www.eai-enclosures.com

Fax: 847-918-9807



Max. PCB size: Bottom 85 x 119mm, Top 85 x 142mm
(Cutout of pillars not taken into consideration)

Version IV: Battery compartment for one 9V flat battery (PP3)
or two 1.5V (AA)



Enclosures of America International, LTD

28045 Ashley Circle #106 Libertyville, Illinois, USA 60048

Title Eng. Drawing C size Master

Date 5/16/00

Drn. by R.F.K.

Scale none

EAI # UCCM-125-MASTER

Sheet 1 of 1

THIS DRAWING IS THE PROPERTY OF AND MAY EMBODY PROPRIETARY INFORMATION OWNED BY ENCLOSURES OF AMERICA™. IT IS PROVIDED UNDER A CONFIDENTIAL RELATIONSHIP FOR A SPECIFIC PURPOSE. THE RECIPIENT AGREES TO USE IT ONLY FOR SUCH PURPOSE AND RETURN IT TO ENCLOSURES OF AMERICA™ UPON REQUEST.