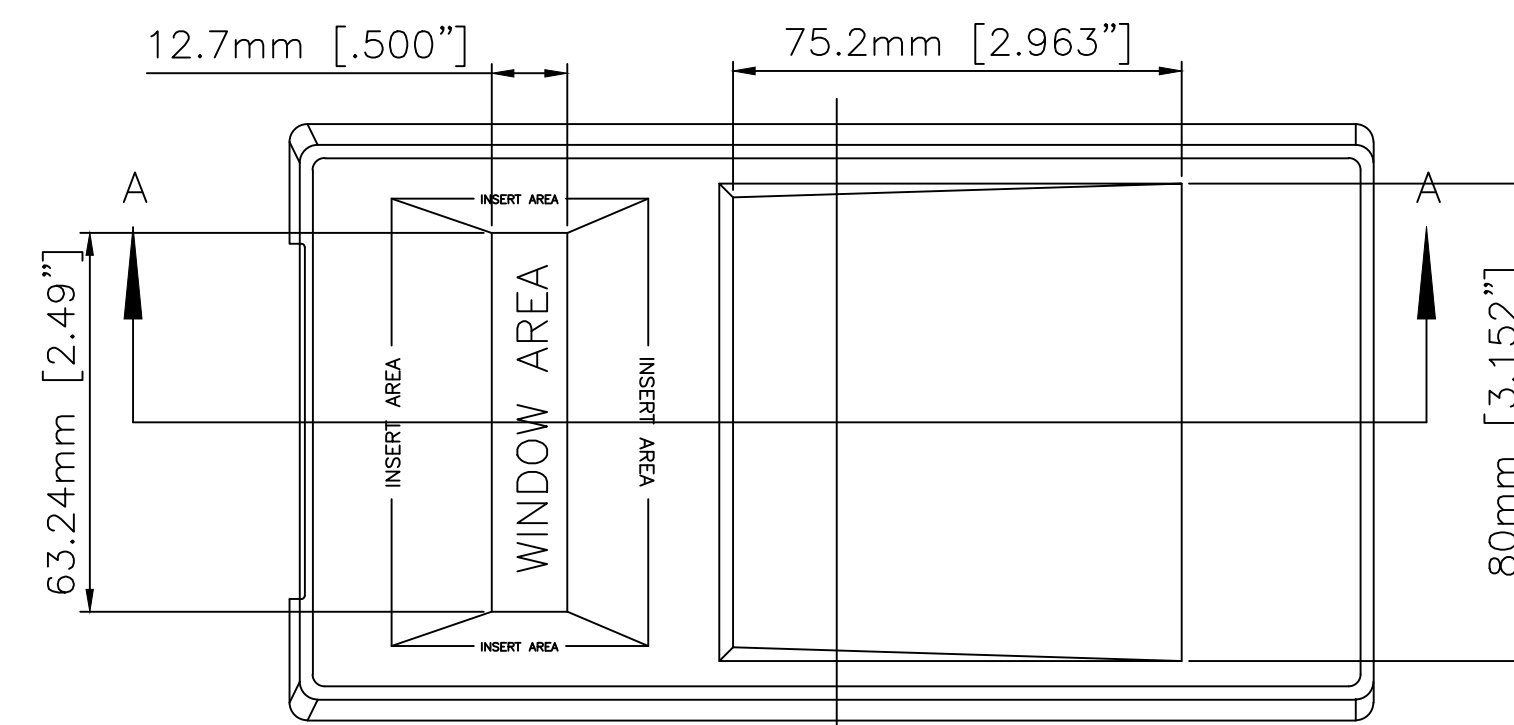
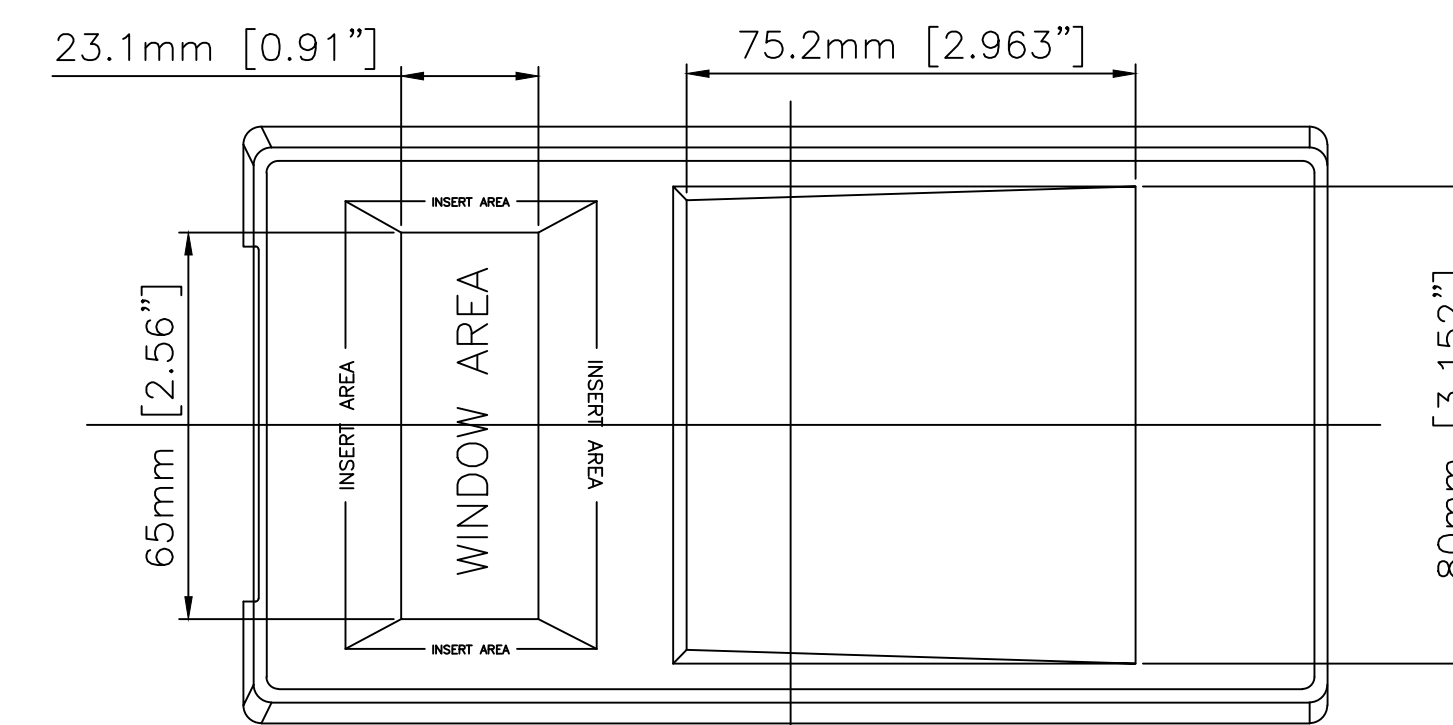


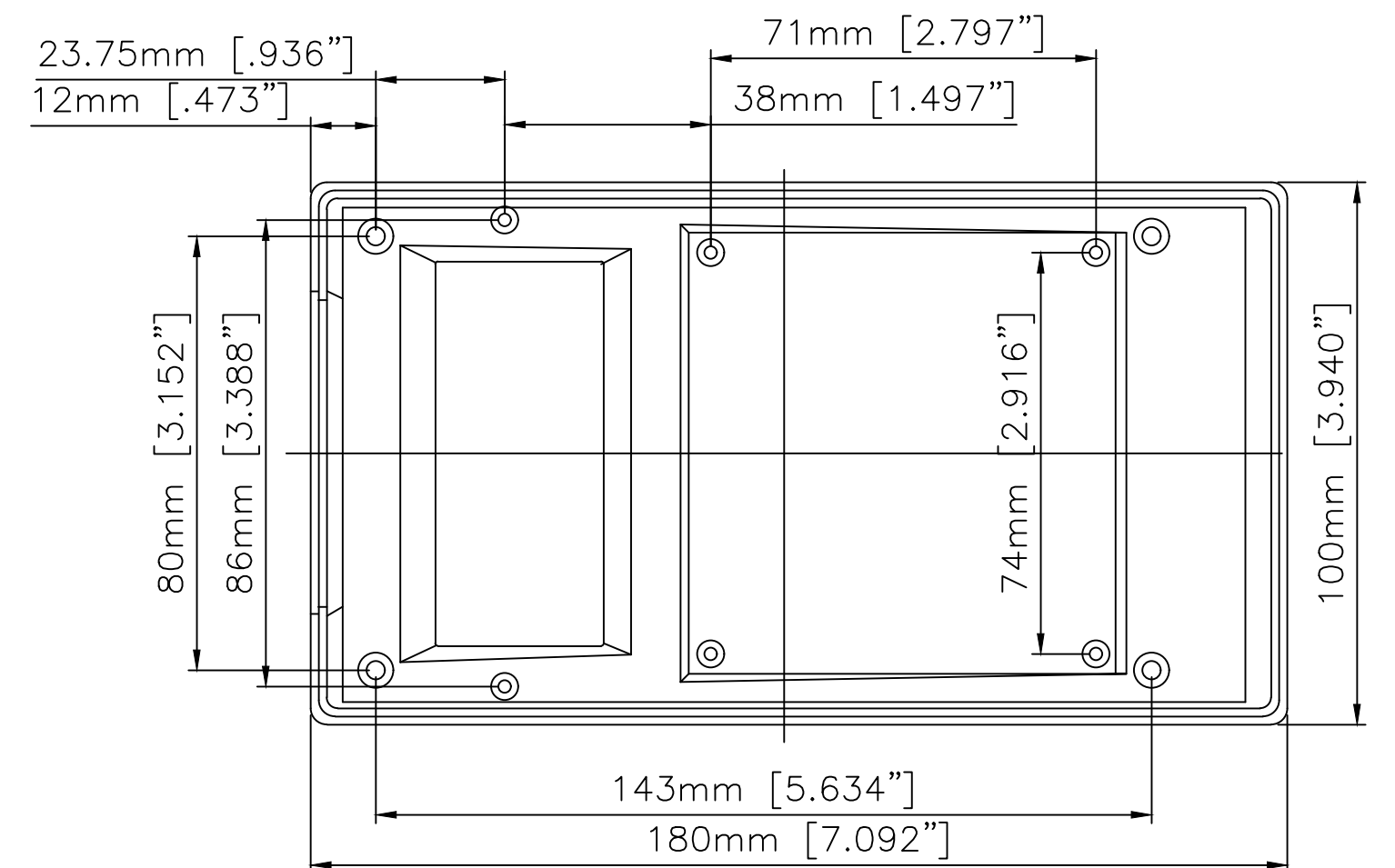
COVER OUTSIDE-NO WINDOW



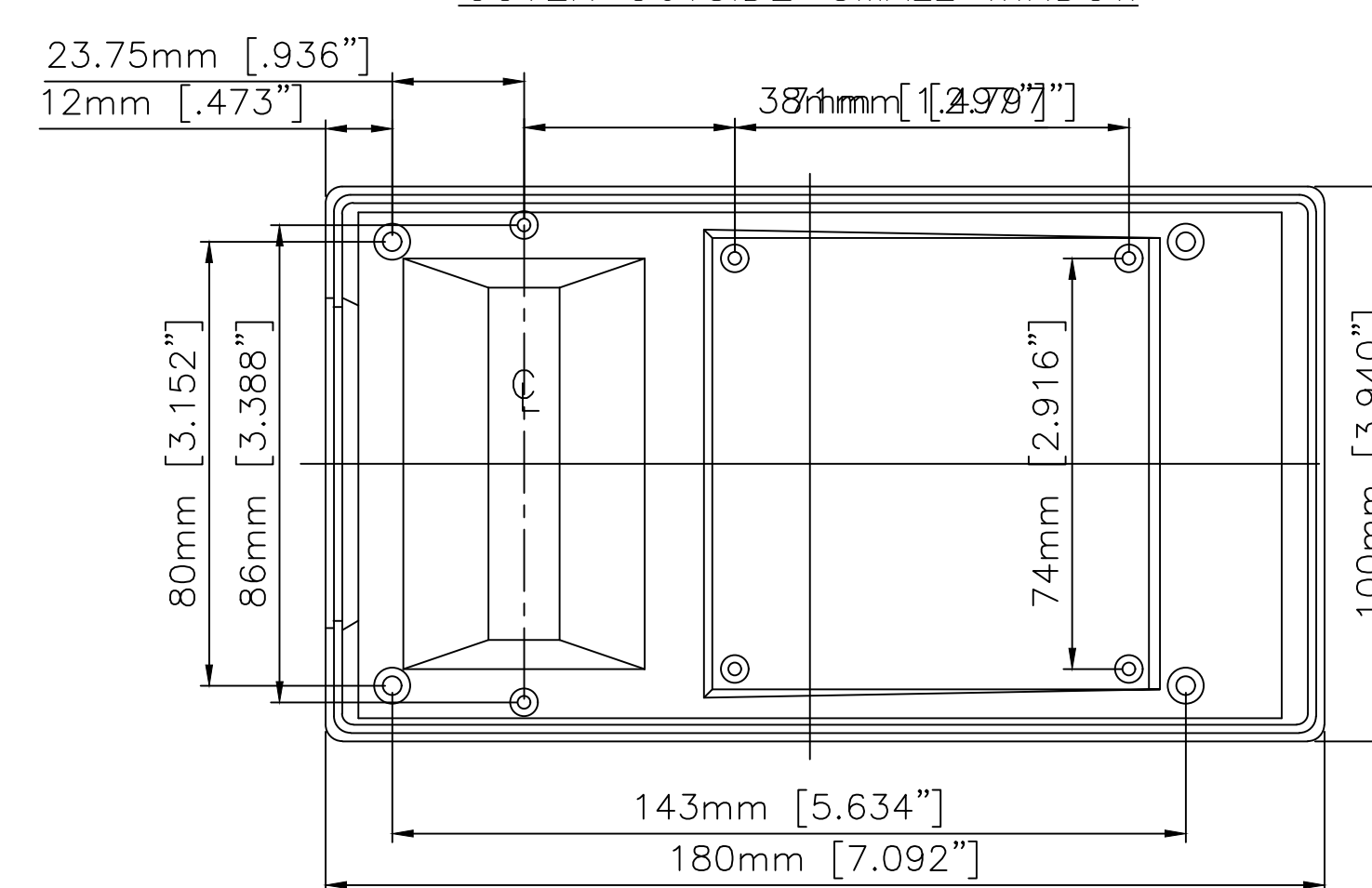
COVER OUTSIDE-SMALL WINDOW



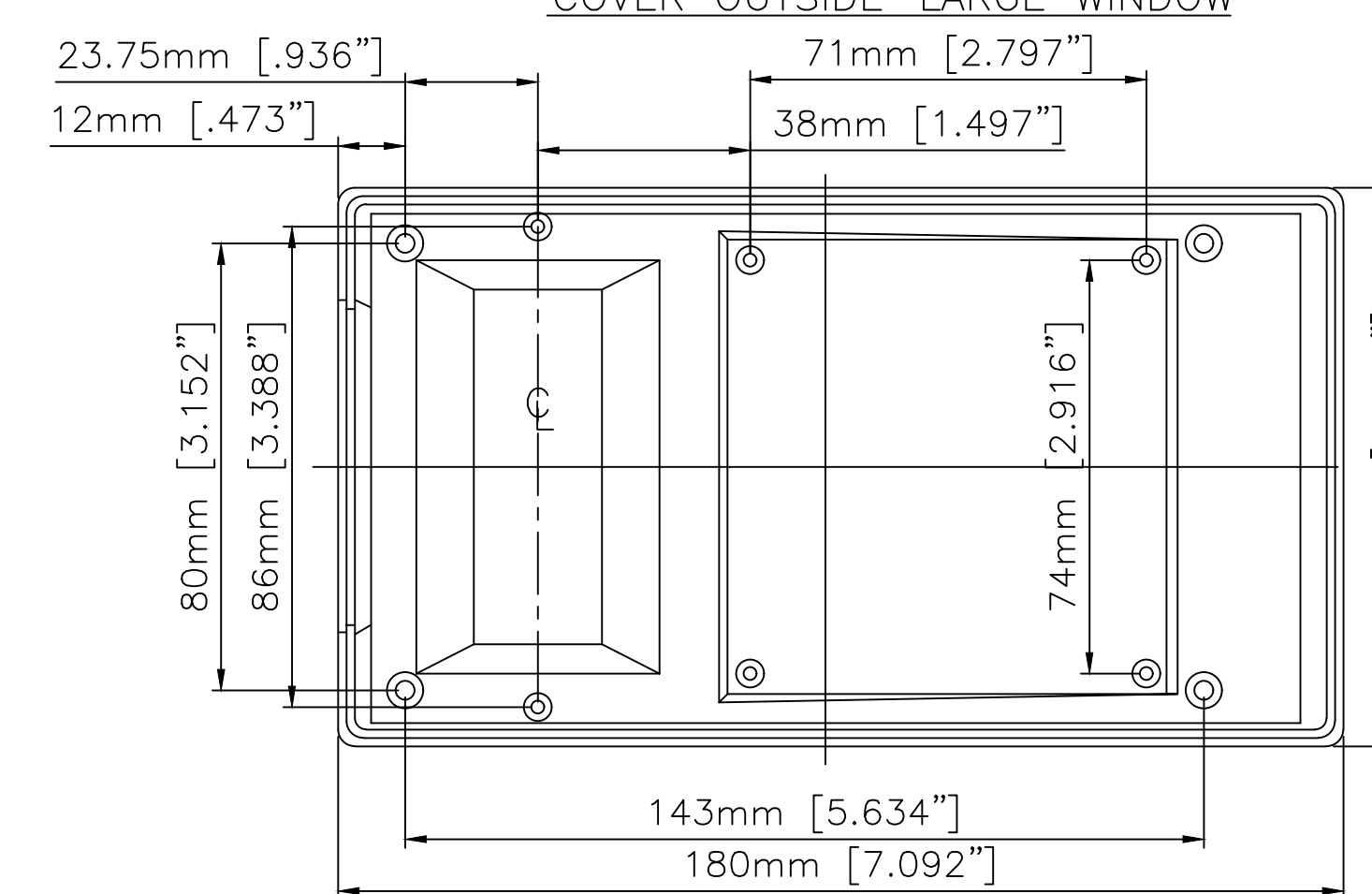
COVER OUTSIDE-LARGE WINDOW



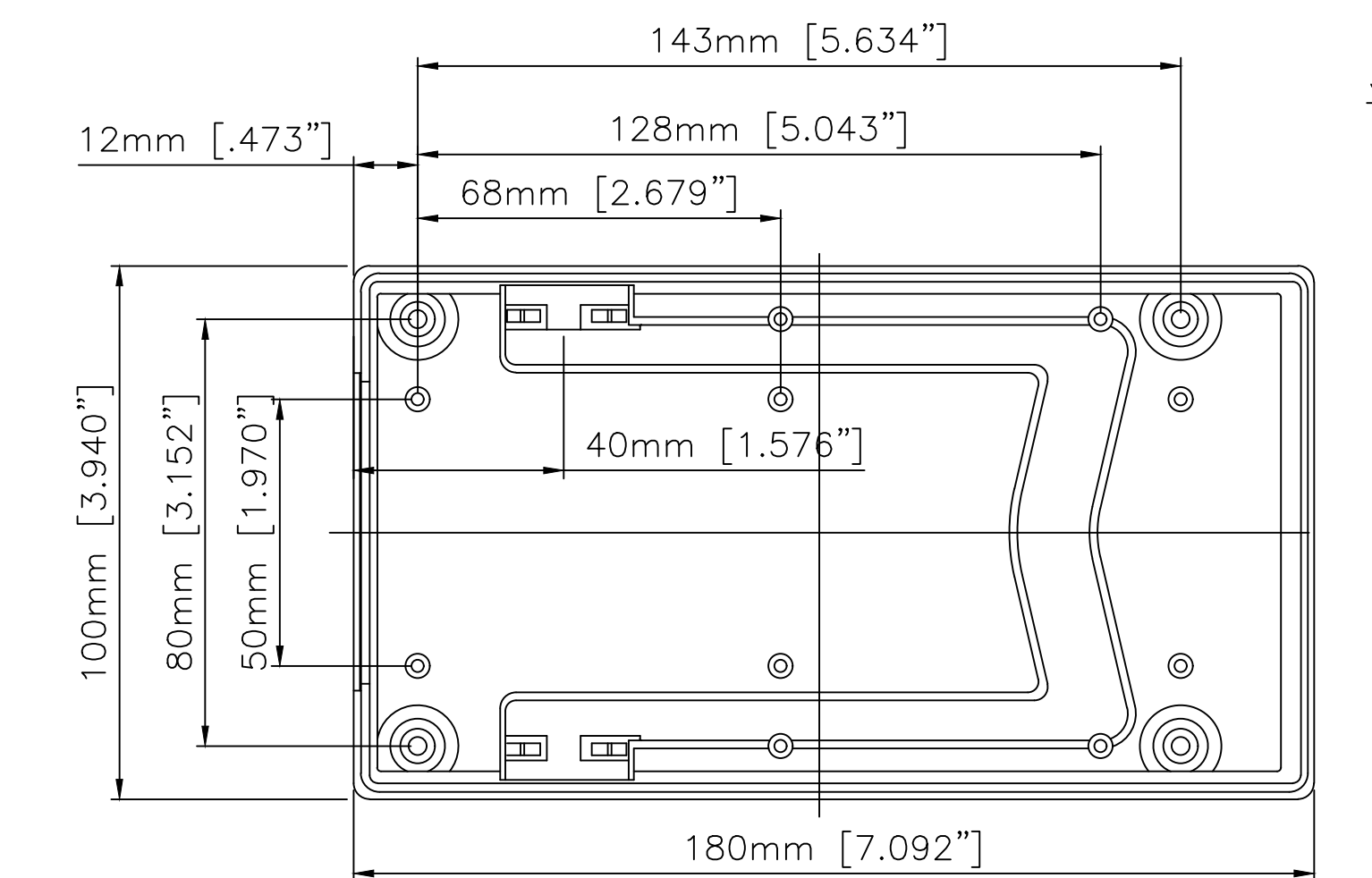
COVER INSIDE NO WINDOW



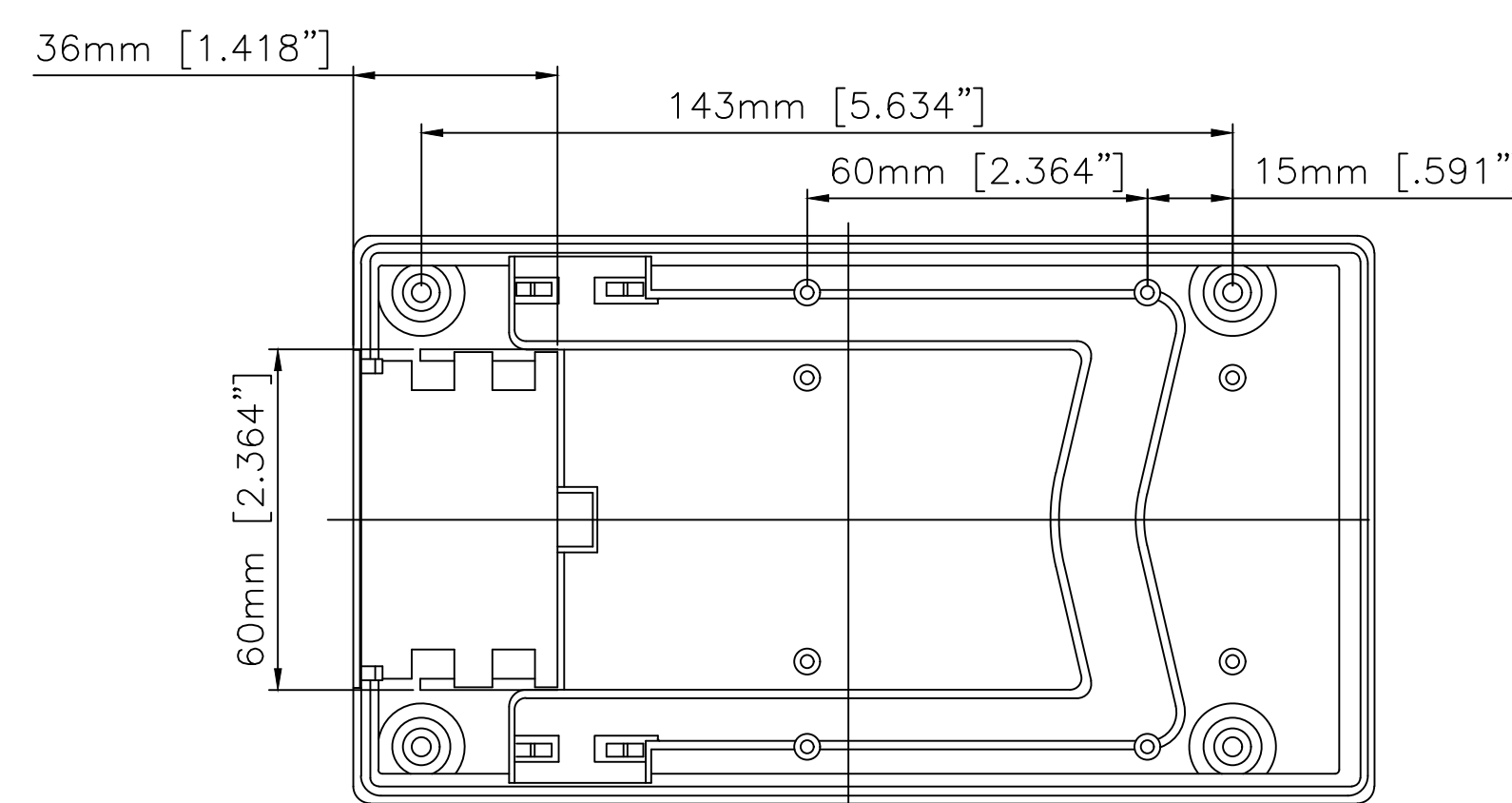
COVER INSIDE SMALL WINDOW



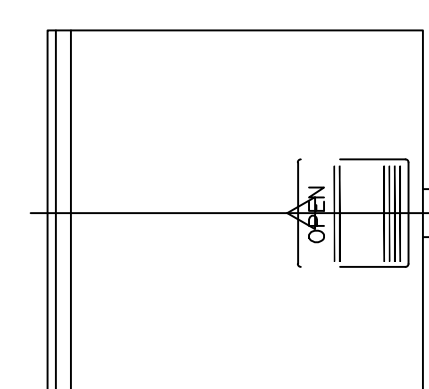
COVER INSIDE LARGE WINDOW



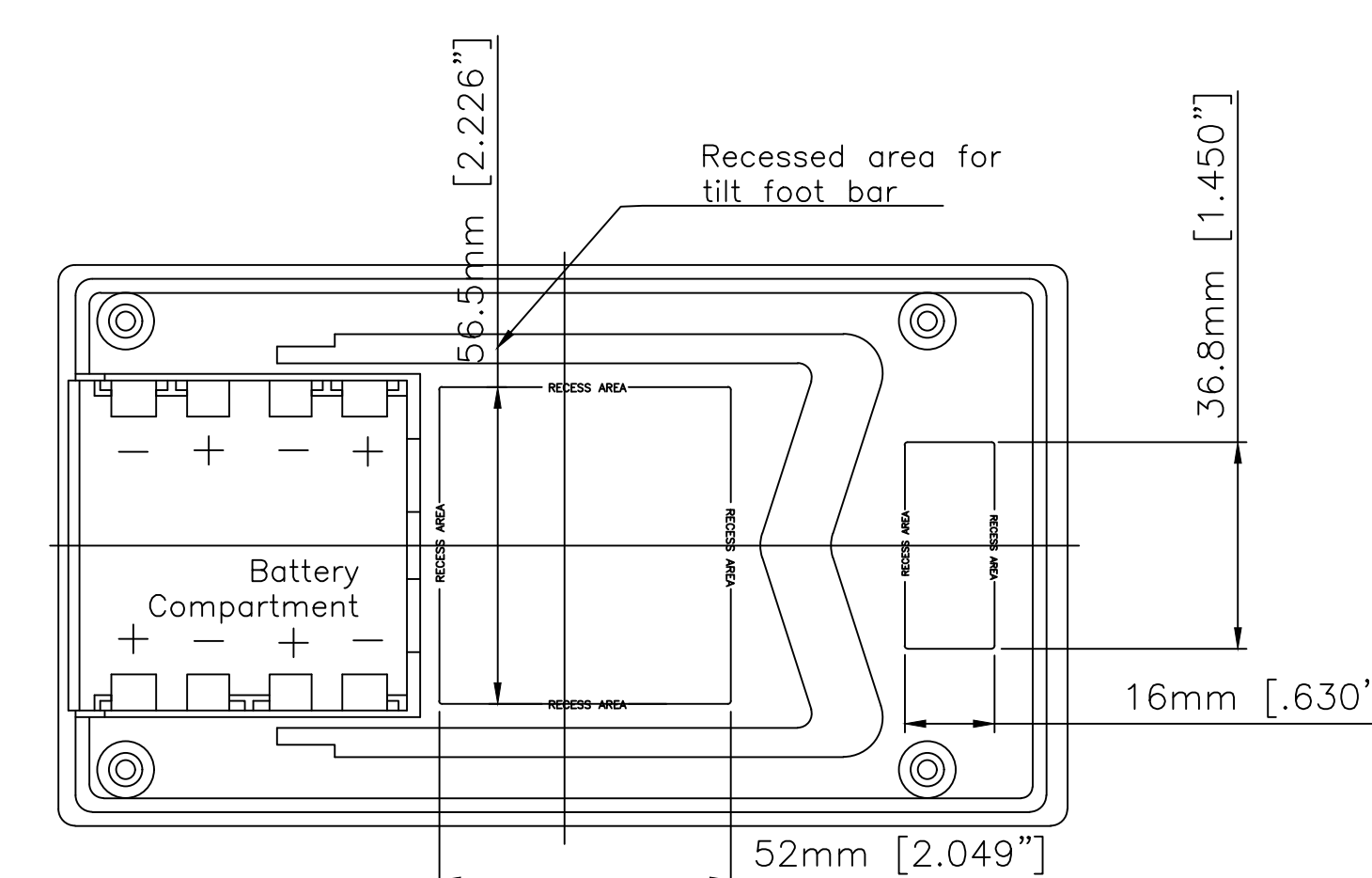
BOTTOM INSIDE (NO BAT. COMP.)



BOTTOM INSIDE (WITH SM. BAT. COMP.)



BAT. COVER



BOTTOM OUTSIDE (WITH LG. BAT. COMP.)

WINDOW SIZES

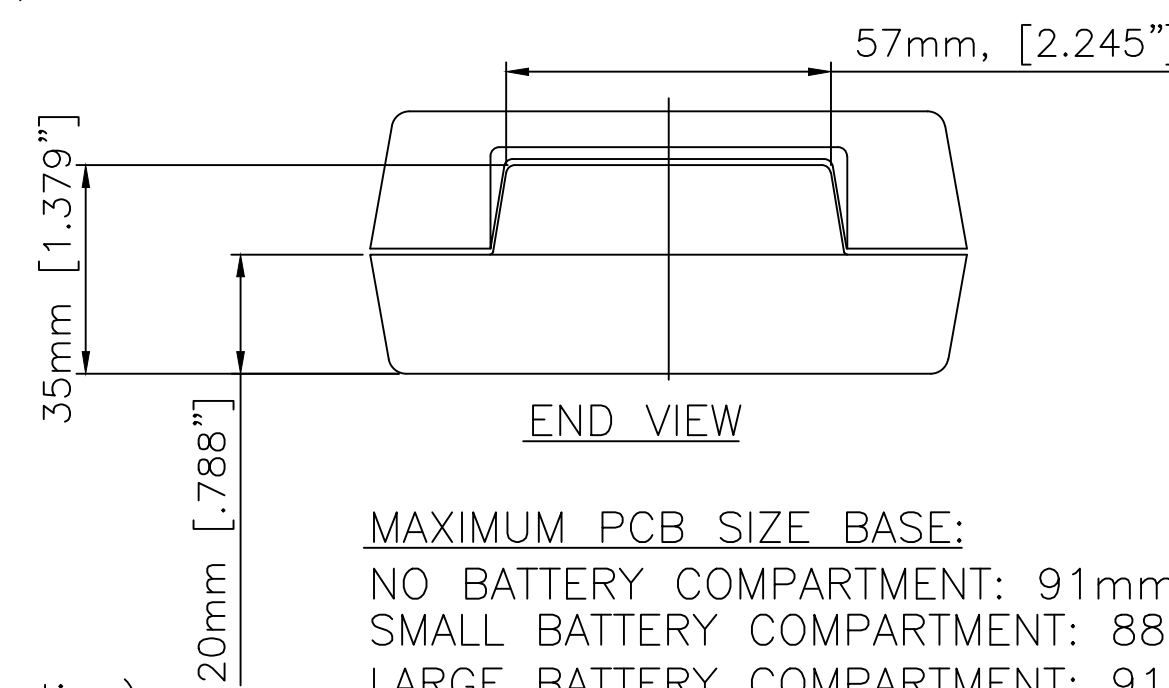
- A: None
- B: 2.49" X 0.50"
- C: 2.56" X 0.91"

BATTERY COMPARTMENT OPTIONS

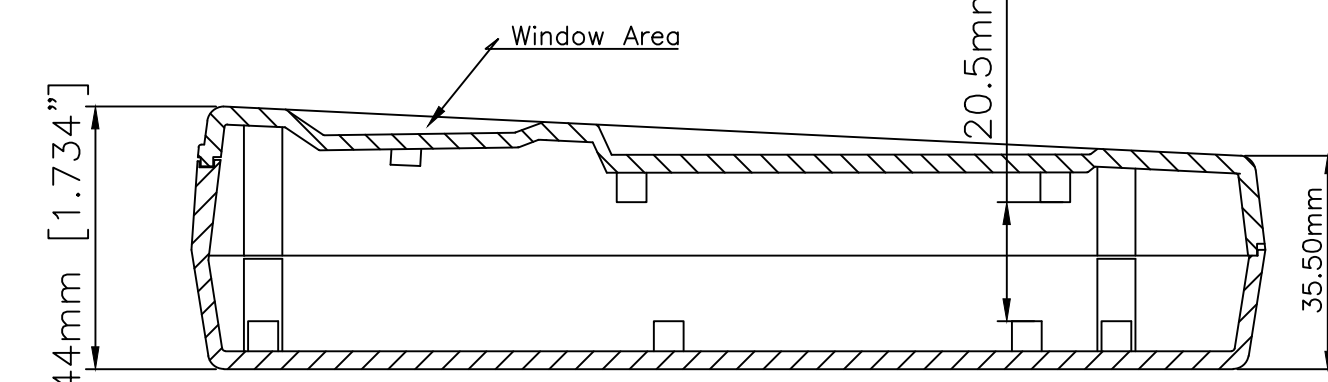
- Ver.I None
- Ver.II One 9volt flat or two 1 1/2volt (AA)
- Ver.III Two 9volt flat or four 1 1/2volt (AA)

MAXIMUM PCB SIZE TOP:

90mmX107mm (cutout of pillars not taken into consideration)



END VIEW



SECTION A-A

MAXIMUM PCB SIZE BASE:

NO BATTERY COMPARTMENT: 91mmX168mm (cutout of pillars not taken into consideration)
SMALL BATTERY COMPARTMENT: 88.5mmX138mm (cutout of pillars not taken into consideration)
LARGE BATTERY COMPARTMENT: 91mmX108.5mm (cutout of pillars not taken into consideration)
CASES ARE AVAILABLE IN ANY TOP-BOTTOM COMBINATION



Title Eng. Drawing D size Master

DATE 3/5/19	BOX # LLCD - MASTER	Drn. by R.F.K.
SCALE 1:1	SHEET 1 of 1	REV 19.A