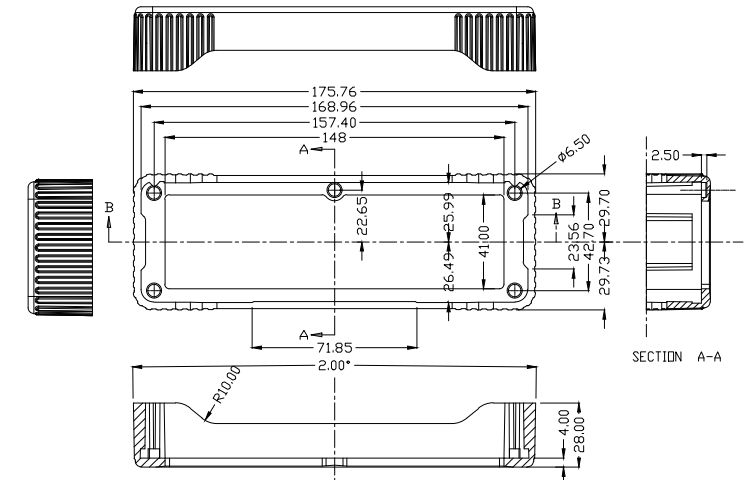
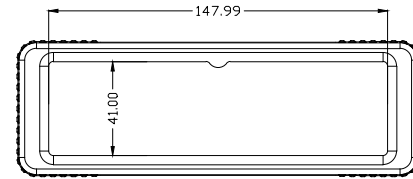
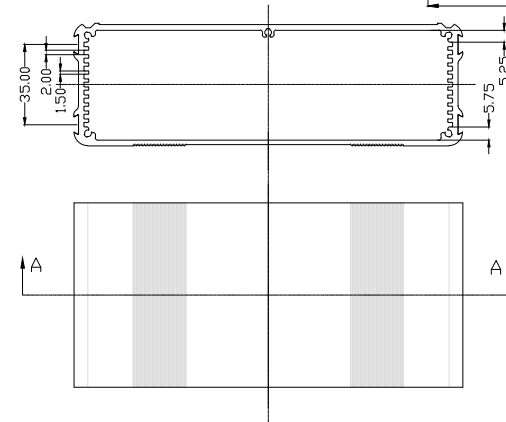
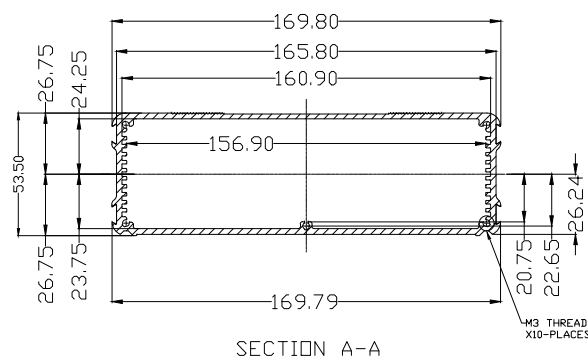


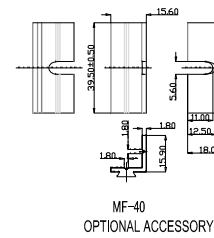
SK-4 SEALING KIT  
OPTIONAL ACCESSORY



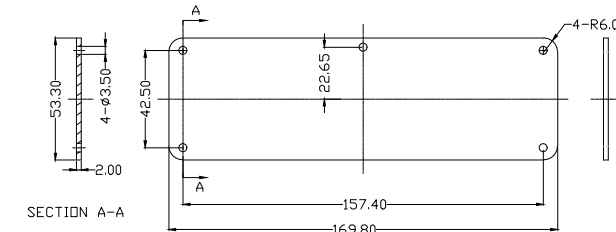
EC4\_END\_CAP\_OPTIONAL\_ACCESSORY



SECTION A-A



MF-40  
OPTIONAL ACCESSORY



END PLATE

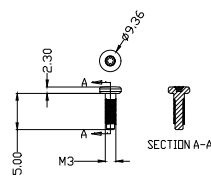
Mounting Flanges  
Optional Accessory  
(Sold individually)

40 mm Mounting Flange Part #	Color
MF40-BK	Black
MF40-BL	Blue
MF40-GD	Gold
MF40-GR	Green
MF40-RD	Red
MF40-SI	Silver

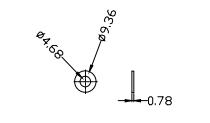
COLOR LEGEND		80 mm Mounting Flange Part #		Color
Part #	Anodized Color	Part #	Color	
B4-080 BK	Black	MF80-BK	Black	
B4-080 BL	Blue	MF80-BL	Blue	
B4-080 GD	Gold	MF80-GD	Gold	
B4-080 GR	Green	MF80-GR	Green	
B4-080 RD	Red	MF80-RD	Red	
B4-080 SI	Silver	MF80-SI	Silver	

Optional End Caps (sold in pairs)	
Part #	Color
EC-4BK	Black
EC-4BL	Blue
EC-4GN	Green
EC-4RD	Red
EC-4GY	Gray

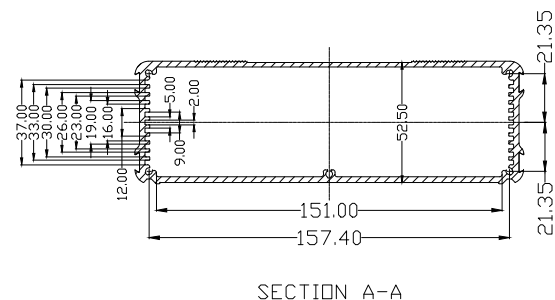
Sealing Kit - Optional Accessory	
Part #	Description
SK-4	NEM 4/IP65 Sealing kit for ALL B-4 Series Enclosures



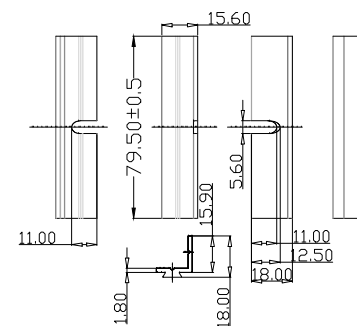
TORX HEAD SCREW



SEALING WASHERS



ENCLOSURE PROFILE



MF-80  
OPTIONAL ACCESSORY



ENCLOSURES & ASSEMBLY SERVICES

Title: B4-080 MASTER DRAWING		Dwg. No.:	Part No.:
Material: Aluminum 6063-T6(HE9)	TOLERANCE: all dimension in mm unless otherwise specified.	Color:	Drn. Date: Rudy 8/3/2018
Finish: Anodized BS 1615	1-5 ±0.10 5-50 ±0.30 50-200 ±0.50 ANGLE ±0.5°	Qty:	Chk. Date
Proj:		Sheet of	App. Date

Revision: 6.1  
Model: