

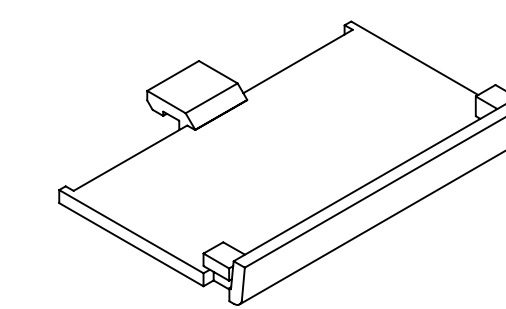
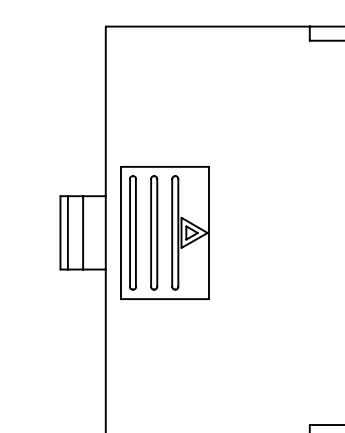
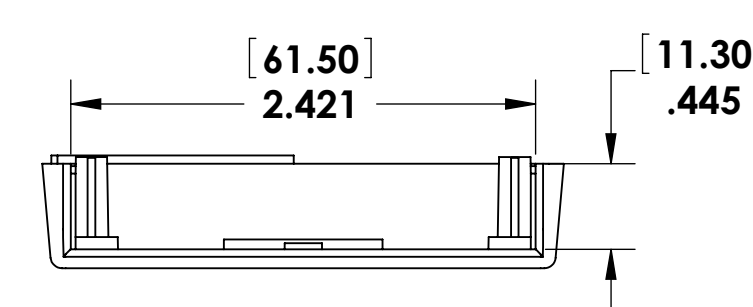
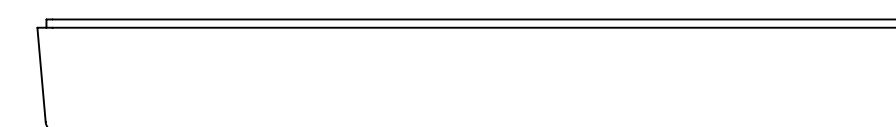
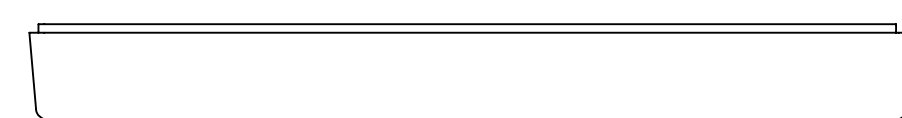
50 SERIES BOTTOM-OUTSIDE 9V BATTERY

50 SERIES BOTTOM-OUTSIDE NO BATTERY

50 SERIES TOP-INSIDE

50 SERIES TOP-FLUSH-OUTSIDE

50 SERIES BOTTOM-INSIDE NO BATTERY

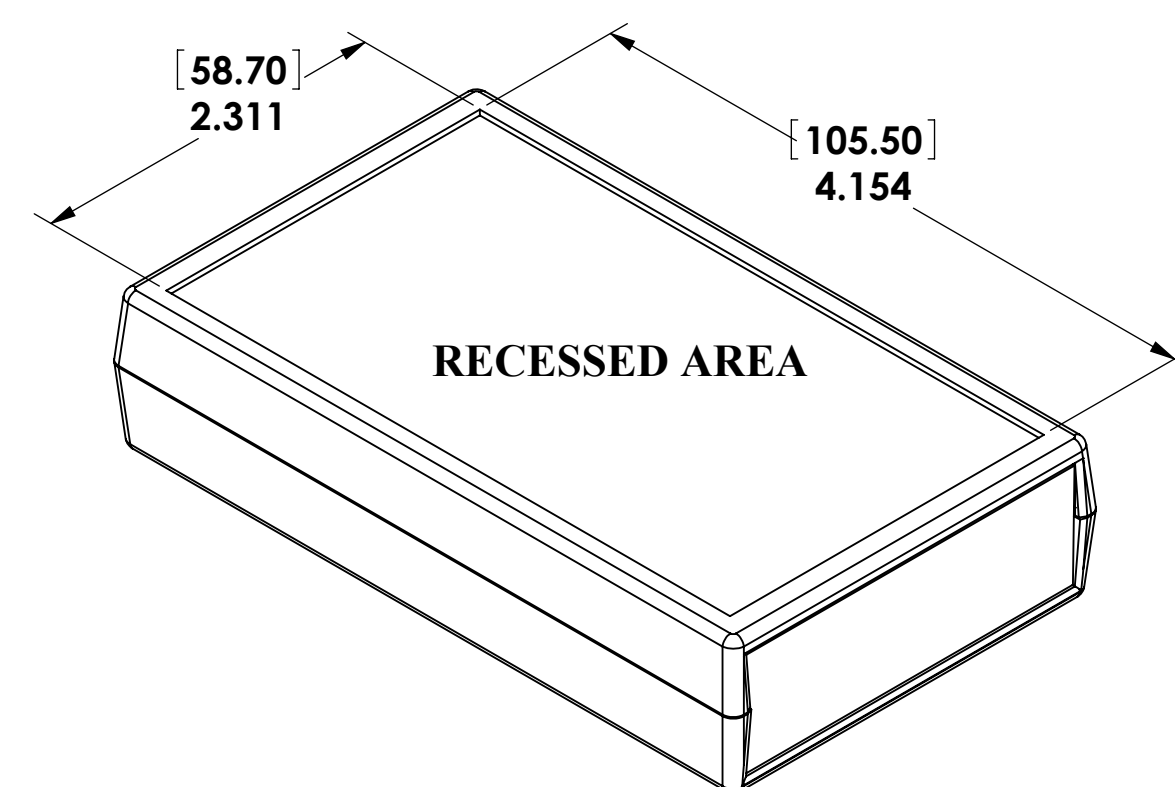


50 SERIES 9V BATTERY DOOR OUTSIDE

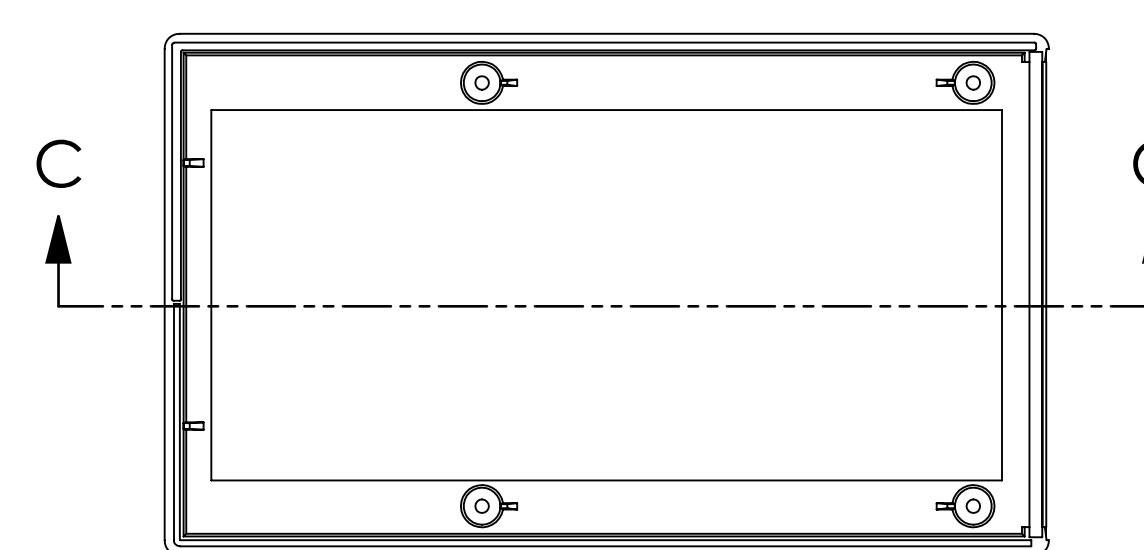
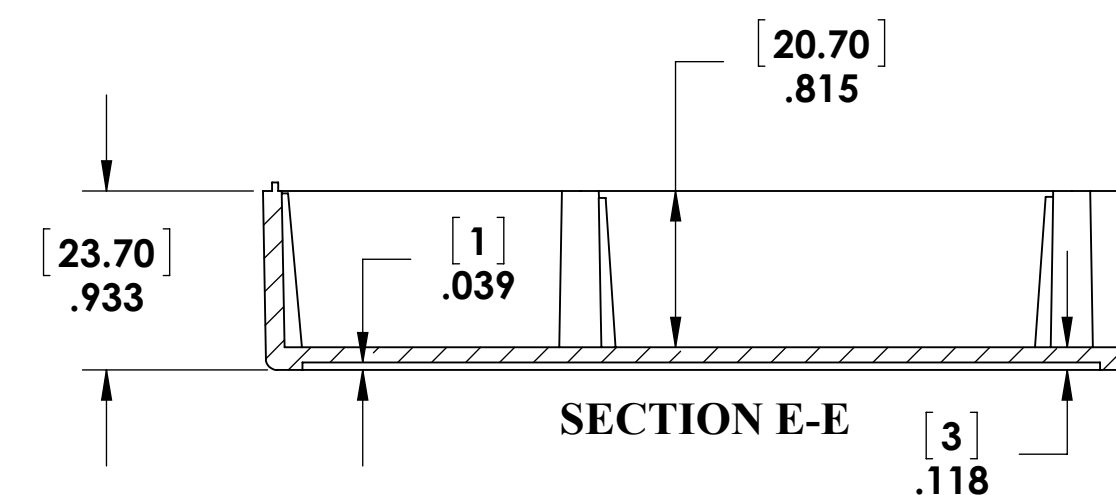
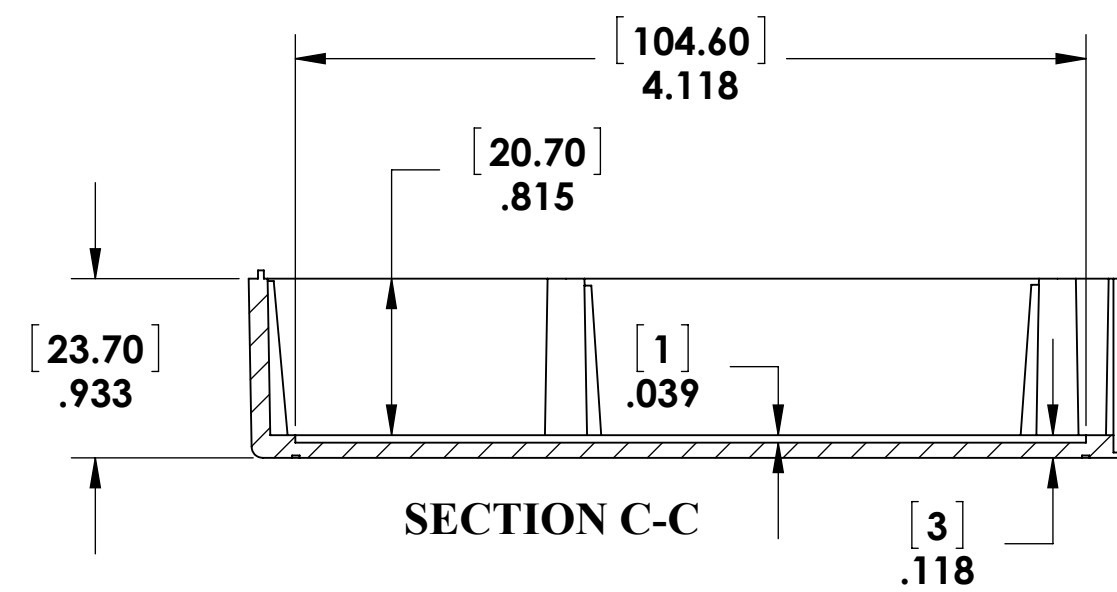
BAT DOOR ISO

50 SERIES BOTTOM INSERT END

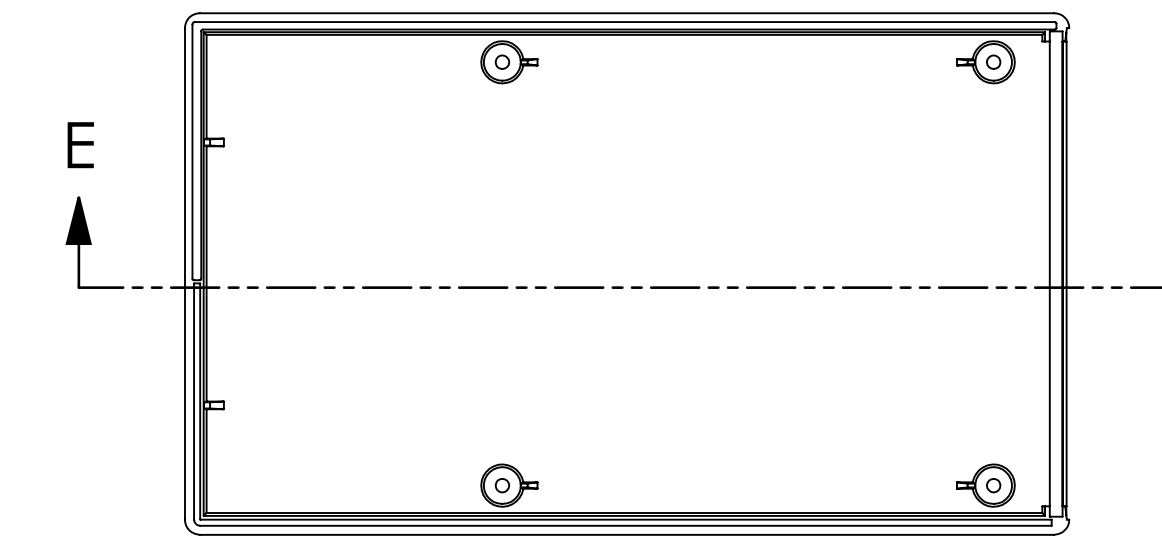
50 SERIES BOTTOM-SIDE VIEW



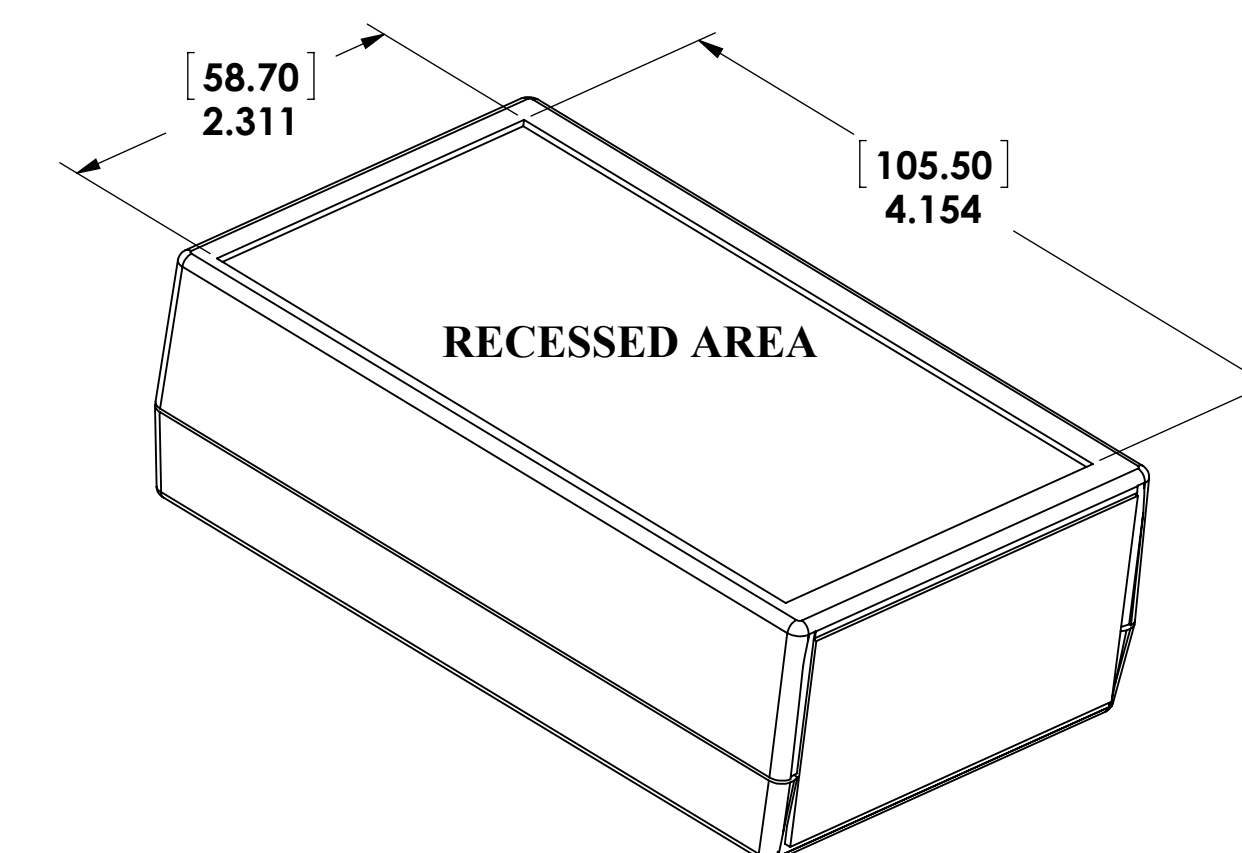
50 SERIES ASSEMBLED W/ END PANEL



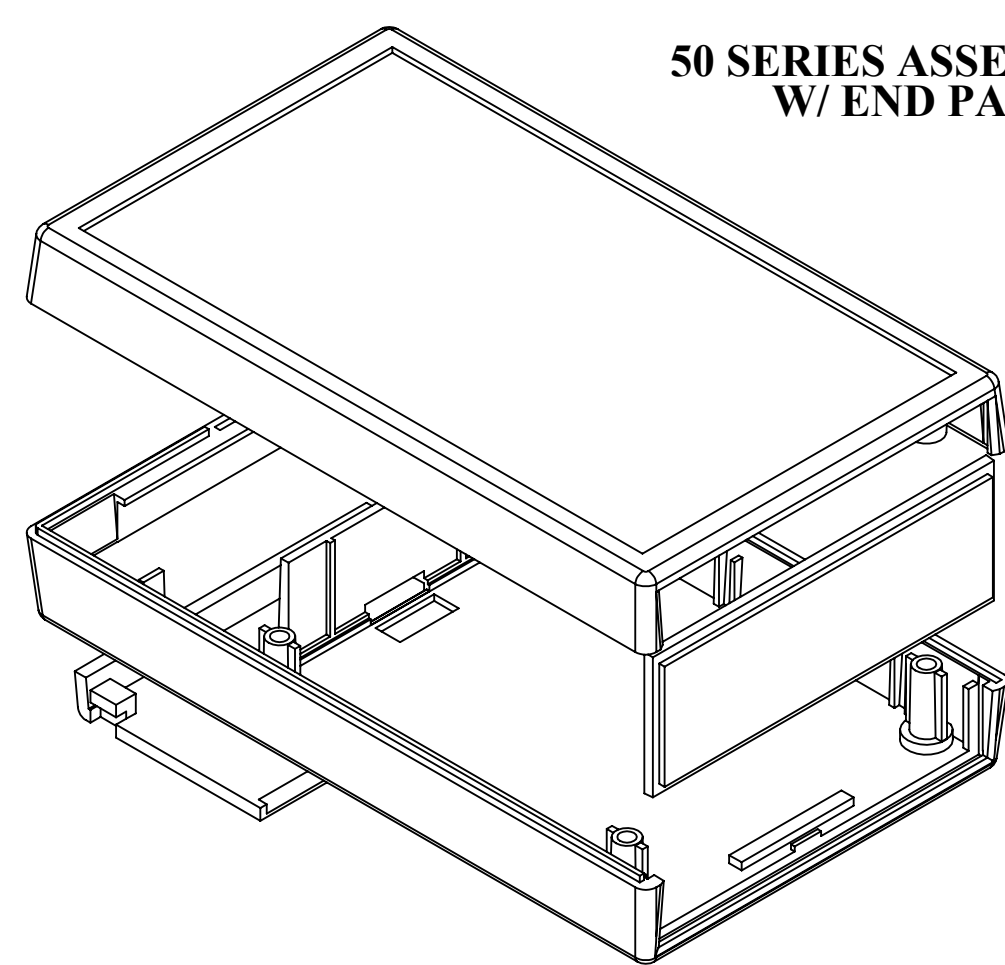
50 SERIES DEEP TOP, FLUSH, INSIDE



50 SERIES DEEP TOP, RECESSED, INSIDE



50 SERIES DEEP ASSEMBLED W/ END PANEL



50 SERIES EXPLODED VIEW RECESSED TOP—BOTTOM W/9V BATTERY BATTERY DOOR & END PANEL